


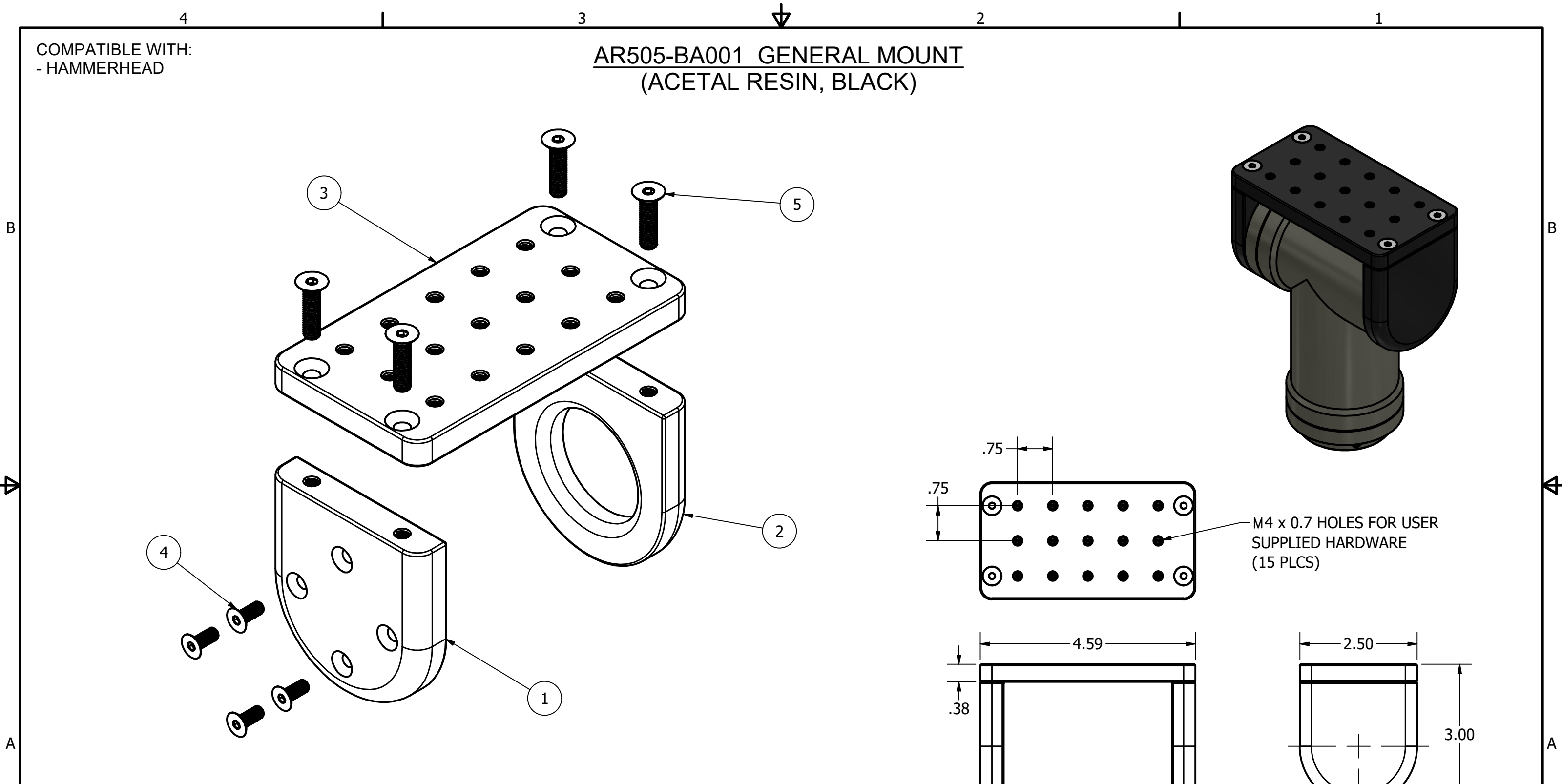
**NOTES:**  
 1. ASSEMBLIES ARE PROVIDED WITH HARDWARE SHOWN IN PARTS LIST

<b>GENERAL NOTES</b> REMOVE ALL BURRS AND BREAK ALL SHARP EDGES. ALL MACHINED SURFACES TO BE FINISH UNLESS OTHERWISE NOTED. DIMENSIONS IN INCHES UNLESS OTHERWISE NOTED.		<b>ARCTIC RAYS, LLC</b> 600 JACKSON COURT SATELLITE BEACH, FL. 32937 USA		
<b>TOLERANCES</b> DECIMALS: .x ± .020 .xx ± .010 .xxx ± .005 FRACTIONS: ± 1/32 ANGULAR: x' ± 3'		PROJECT Arctic Rays Bracket Assemblies		
DRAWN BY: lfrey 14/04/2023		TITLE: <b>Bracket Assemblies</b>		
DESIGNED BY: lfrey		SIZE: <b>B</b>		DRAWING No. <b>AR505-BA***</b>
CHECKED BY: lfrey 14/04/2023		SCALE: NTS		REV: <b>A</b>
PROJECT MANAGER: lfrey		SHEET 1 OF 21		
ENGR. APPROVED: lfrey 14/04/2023				

REVISION HISTORY				
REV	DESCRIPTION	DATE	AUTHOR	
A	INITIAL ISSUE	04-14-2023	LF	

COMPATIBLE WITH:  
- HAMMERHEAD

**AR505-BA001 GENERAL MOUNT**  
(ACETAL RESIN, BLACK)



PARTS LIST

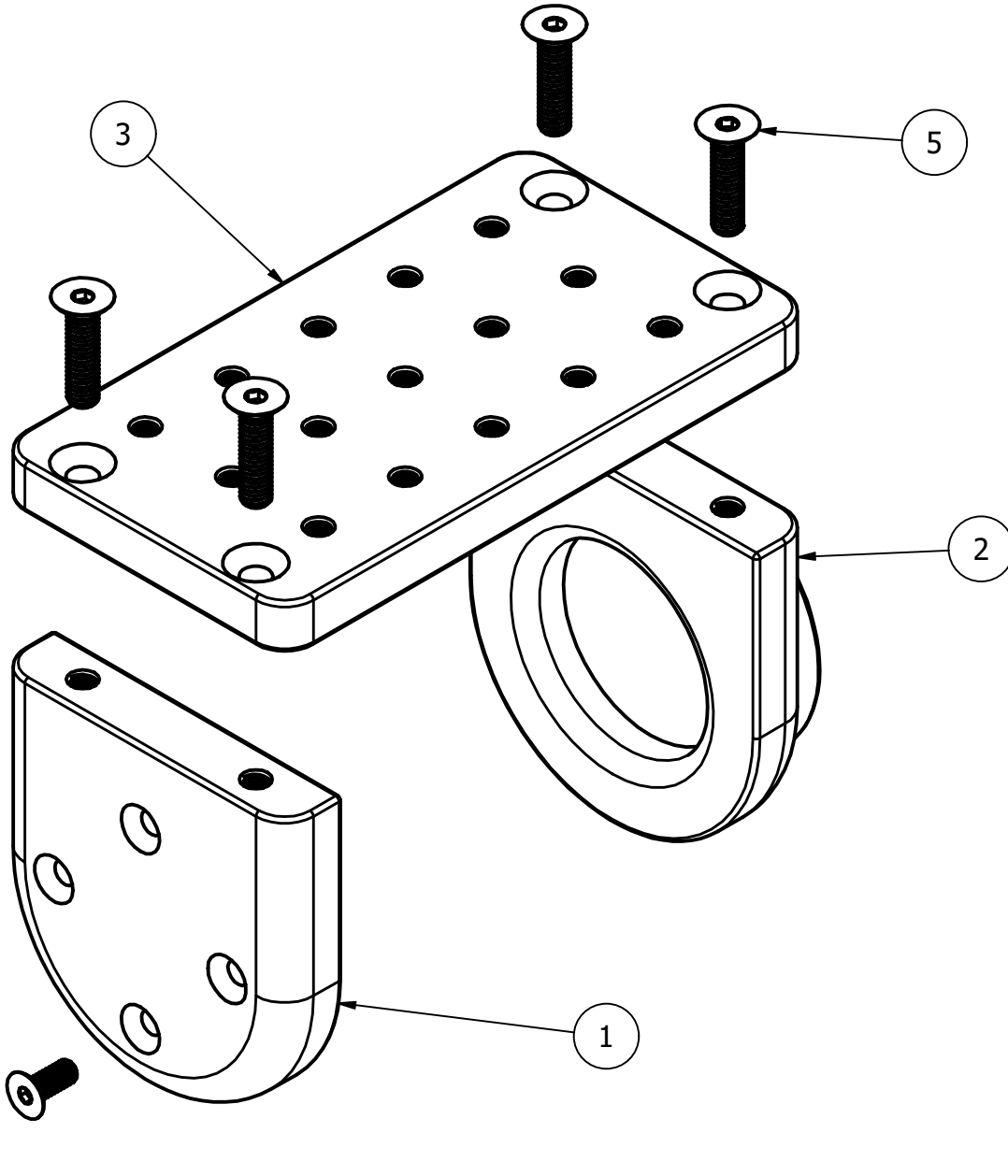
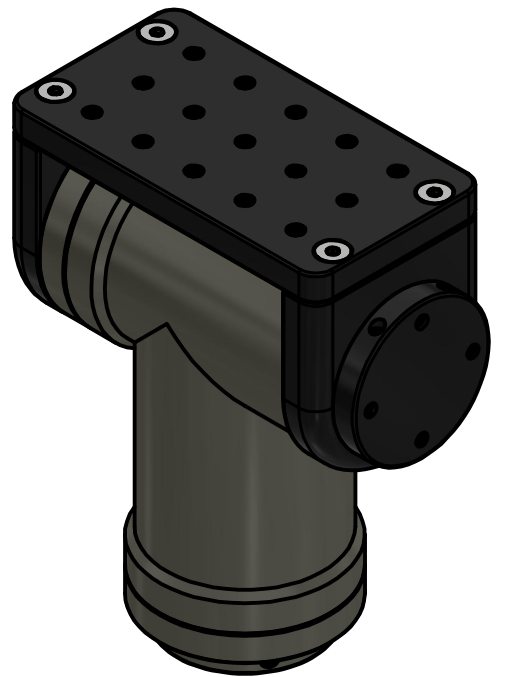
ITEM	QTY	PART NUMBER	DESCRIPTION
1	1	AR505-002	Tilt Adaptor
2	1	AR505-003	Tilt Bushing
3	1	AR505-005	Tilt Plate
4	4	93395A254	M4 x 10mm_Hex Drive Flat Head Screw_316 SS
5	4	93395A310	M5 x 20mm_Hex Drive Flat Head Screw_316 SS

SIZE	DRAWING No.	REV
<b>B</b>	<b>AR505-BA***</b>	<b>A</b>
SCALE	NTS	SHEET 2 OF 21

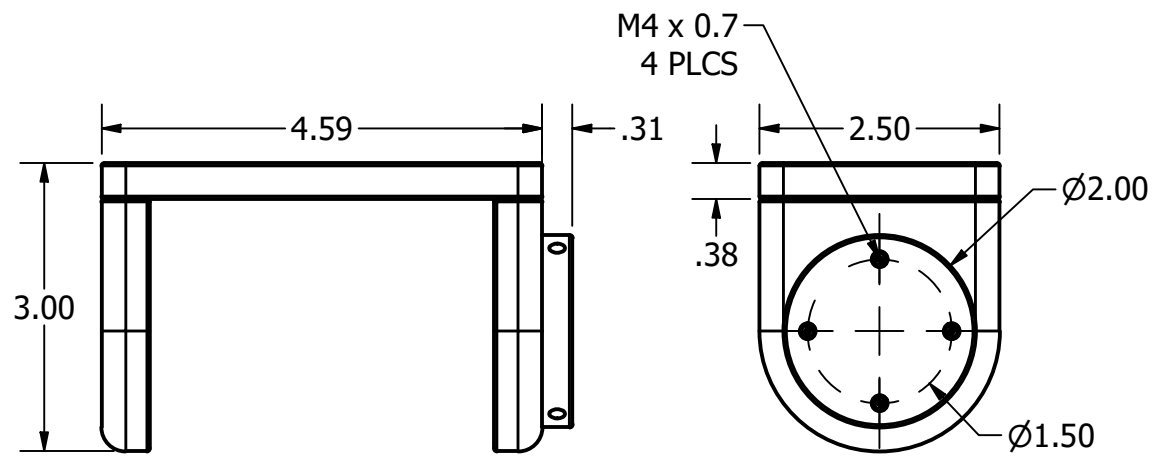
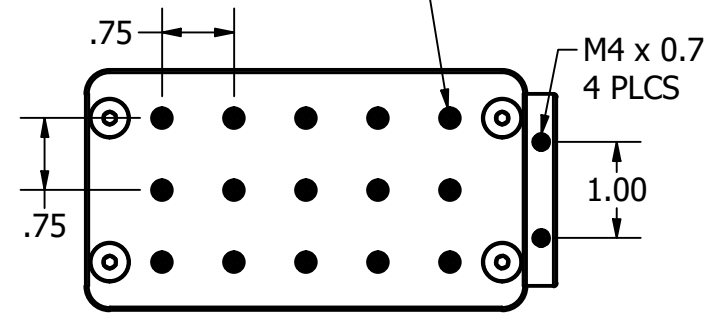
INVERSE OPTION FEATURES A MODIFIED CHEEK PLATE TO ALLOW:  
 - SIDE MOUNTING ON OPPOSITE SIDE  
 - SIMULTANEOUS SIDE & TOP MOUNTING

COMPATIBLE WITH:  
 - HAMMERHEAD

### AR505-BA002 GENERAL MOUNT, INVERSE (ACETAL RESIN, BLACK)



M4 x 0.7 HOLES FOR USER SUPPLIED HARDWARE (15 PLCS)



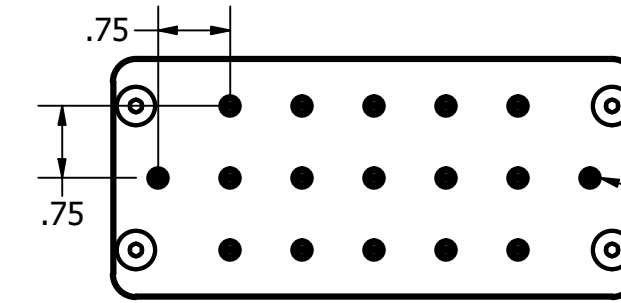
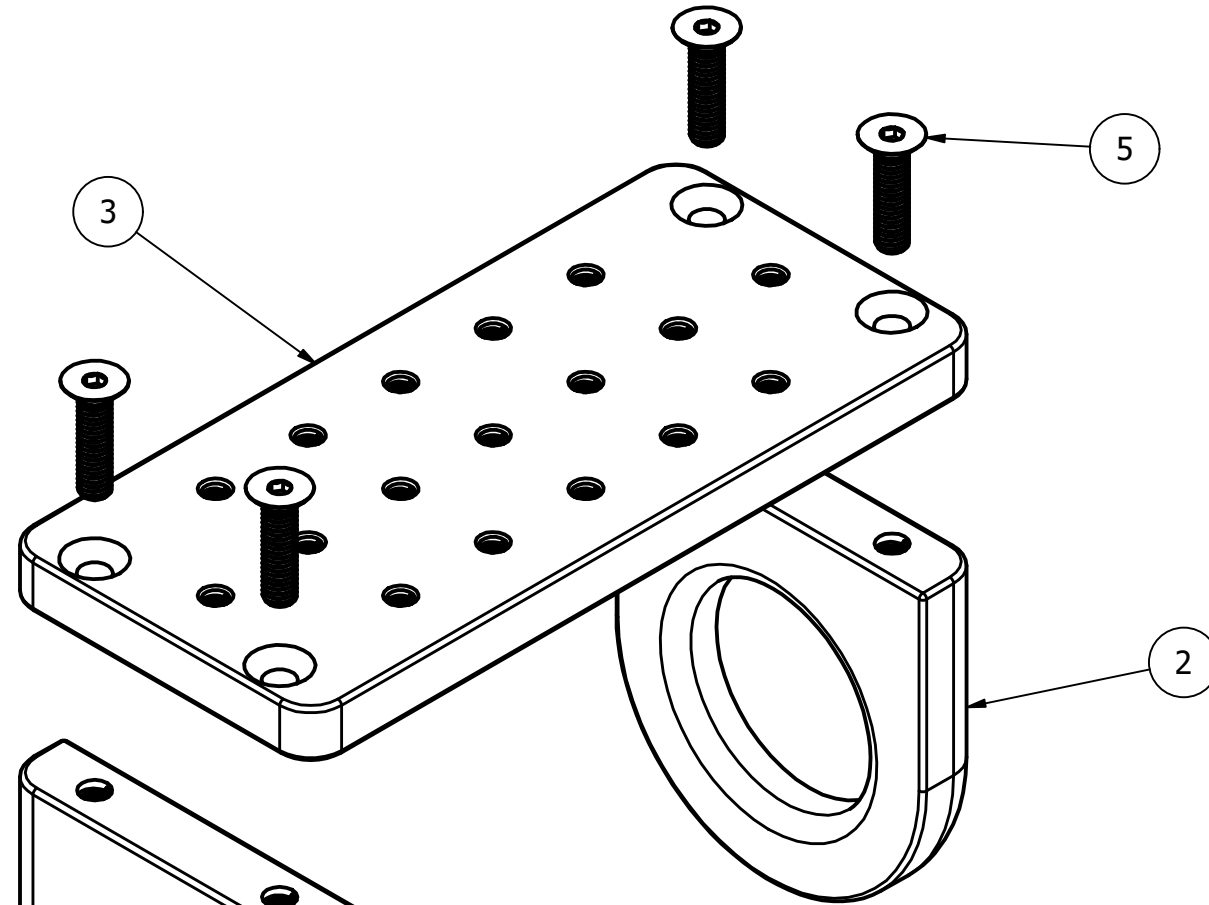
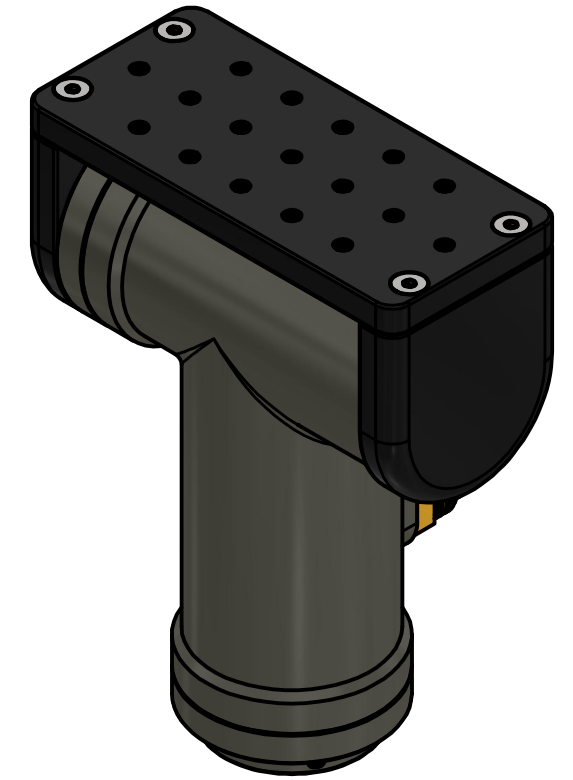
PARTS LIST

ITEM	QTY	PART NUMBER	DESCRIPTION
1	1	AR505-002	Tilt Adaptor
2	1	AR505-004	Tilt Bushing_Inverse
3	1	AR505-005	Tilt Plate
4	4	93395A254	M4 x 10mm_Hex Drive Flat Head Screw_316 SS
5	4	93395A310	M5 x 20mm_Hex Drive Flat Head Screw_316 SS

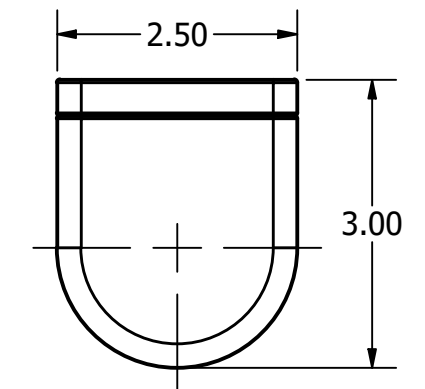
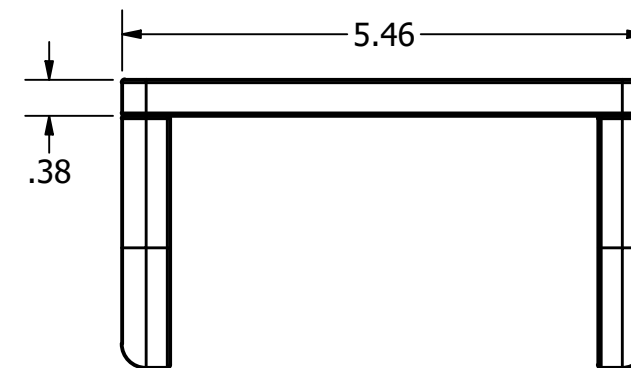
SIZE	DRAWING No.	REV
<b>B</b>	<b>AR505-BA***</b>	<b>A</b>
SCALE	NTS	SHEET 3 OF 21

COMPATIBLE WITH:  
- HAMMERHEAD XT

**AR505-BA003 GENERAL MOUNT XT**  
(ACETAL RESIN, BLACK)



M4 x 0.7 HOLES FOR USER  
SUPPLIED HARDWARE  
(17 PLCS)



PARTS LIST

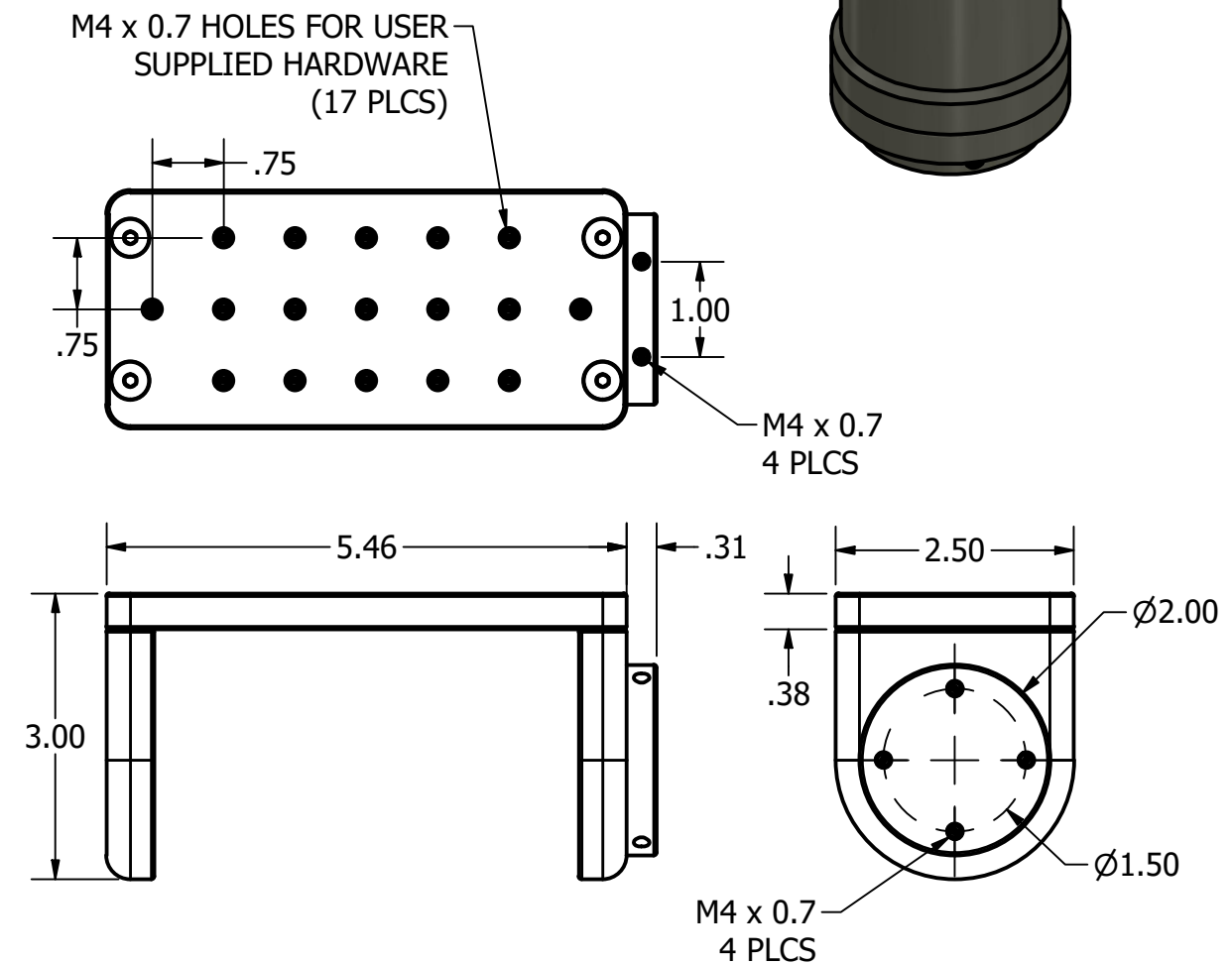
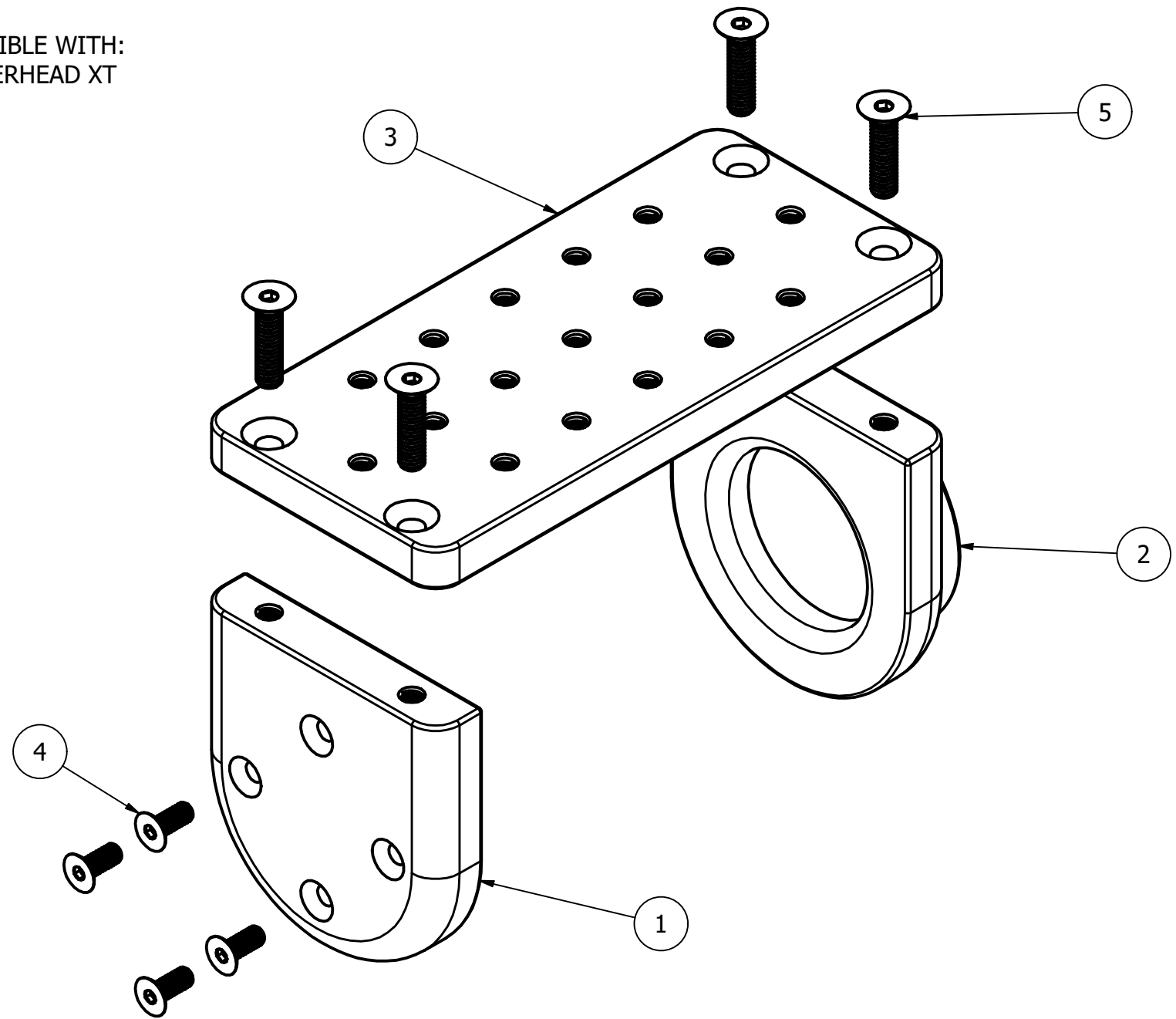
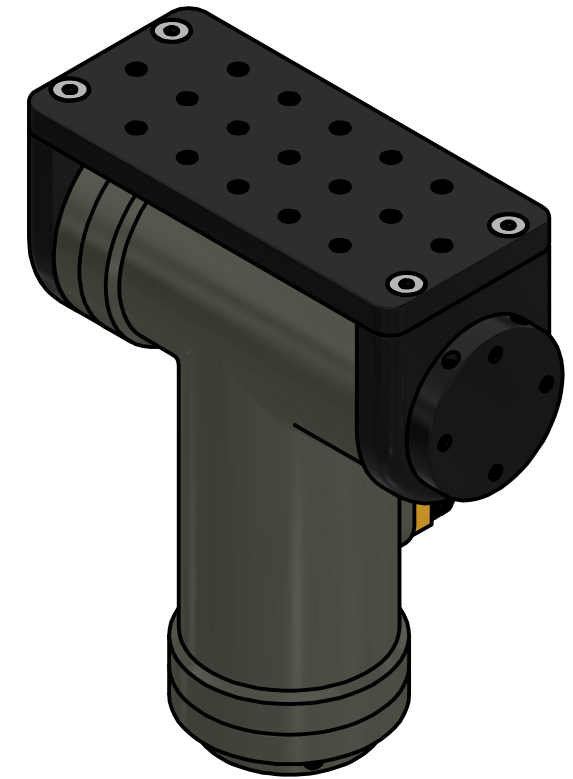
ITEM	QTY	PART NUMBER	DESCRIPTION
1	1	AR505-002	Tilt Adaptor
2	1	AR505-003	Tilt Bushing
3	1	AR505-006	Tilt Plate XT
4	4	93395A254	M4 x 10mm_Hex Drive Flat Head Screw_316 SS
5	4	93395A310	M5 x 20mm_Hex Drive Flat Head Screw_316 SS

SIZE	DRAWING No.	REV
<b>B</b>	<b>AR505-BA***</b>	<b>A</b>
SCALE	NTS	SHEET 4 OF 21

INVERSE OPTION FEATURES A MODIFIED CHEEK PLATE TO ALLOW:  
 - SIDE MOUNTING ON OPPOSITE SIDE  
 - SIMULTANEOUS SIDE & TOP MOUNTING

COMPATIBLE WITH:  
 - HAMMERHEAD XT

## AR505-BA004 GENERAL MOUNT XT, INVERSE (ACETAL RESIN, BLACK)



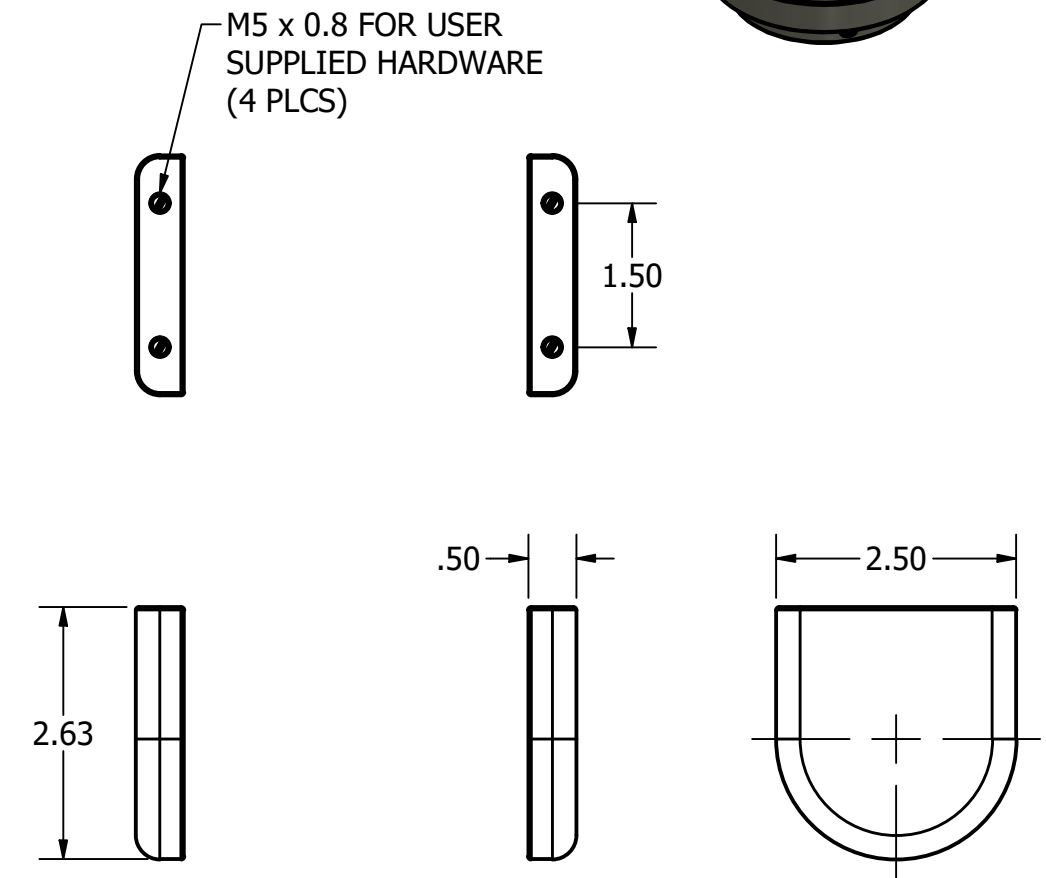
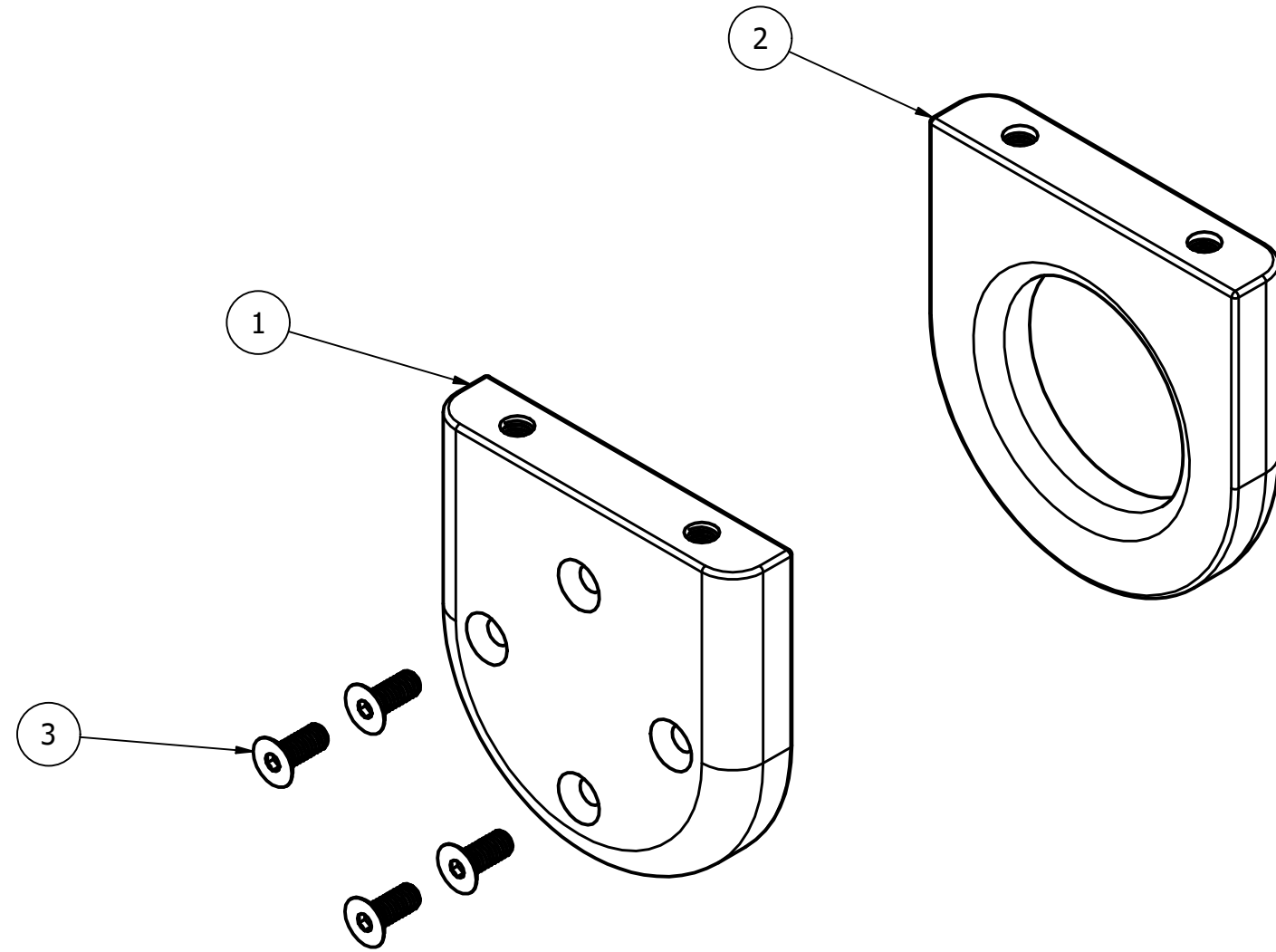
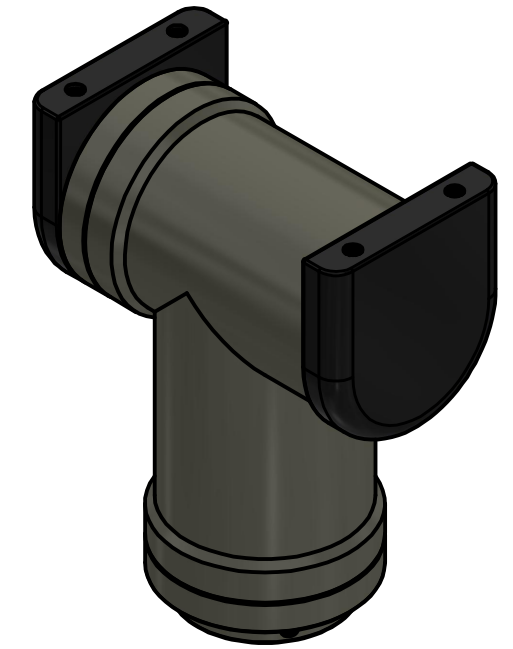
### PARTS LIST

ITEM	QTY	PART NUMBER	DESCRIPTION
1	1	AR505-002	Tilt Adaptor
2	1	AR505-004	Tilt Bushing_Inverse
3	1	AR505-006	Tilt Plate XT
4	4	93395A254	M4 x 10mm_Hex Drive Flat Head Screw_316 SS
5	4	93395A310	M5 x 20mm_Hex Drive Flat Head Screw_316 SS

SIZE	DRAWING No.	REV
<b>B</b>	<b>AR505-BA***</b>	<b>A</b>
SCALE	NTS	SHEET 5 OF 21

COMPATIBLE WITH:  
 - HAMMERHEAD  
 - HAMMERHEAD XT

### AR505-BA005 CHEEK PLATES (ACETAL RESIN, BLACK)



PARTS LIST

ITEM	QTY	PART NUMBER	DESCRIPTION
1	1	AR505-002	Tilt Adaptor
2	1	AR505-003	Tilt Bushing
3	4	93395A254	M4 x 10mm_Hex Drive Flat Head Screw_316 SS

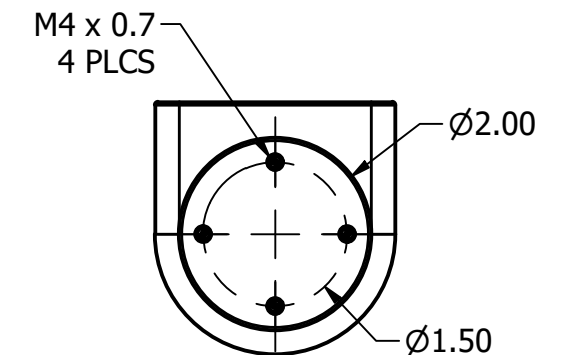
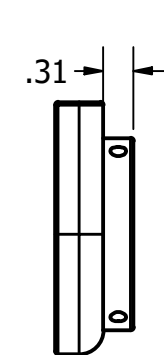
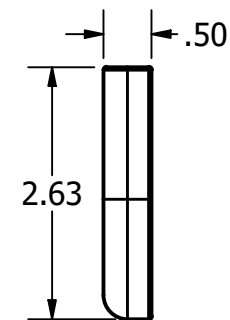
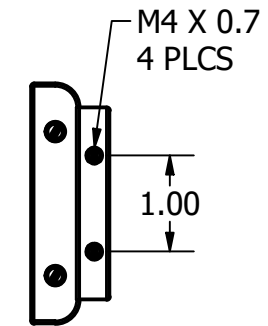
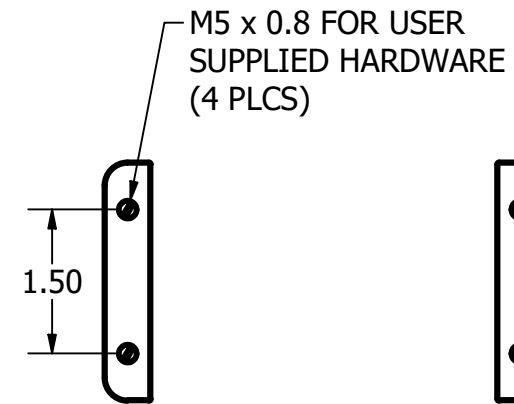
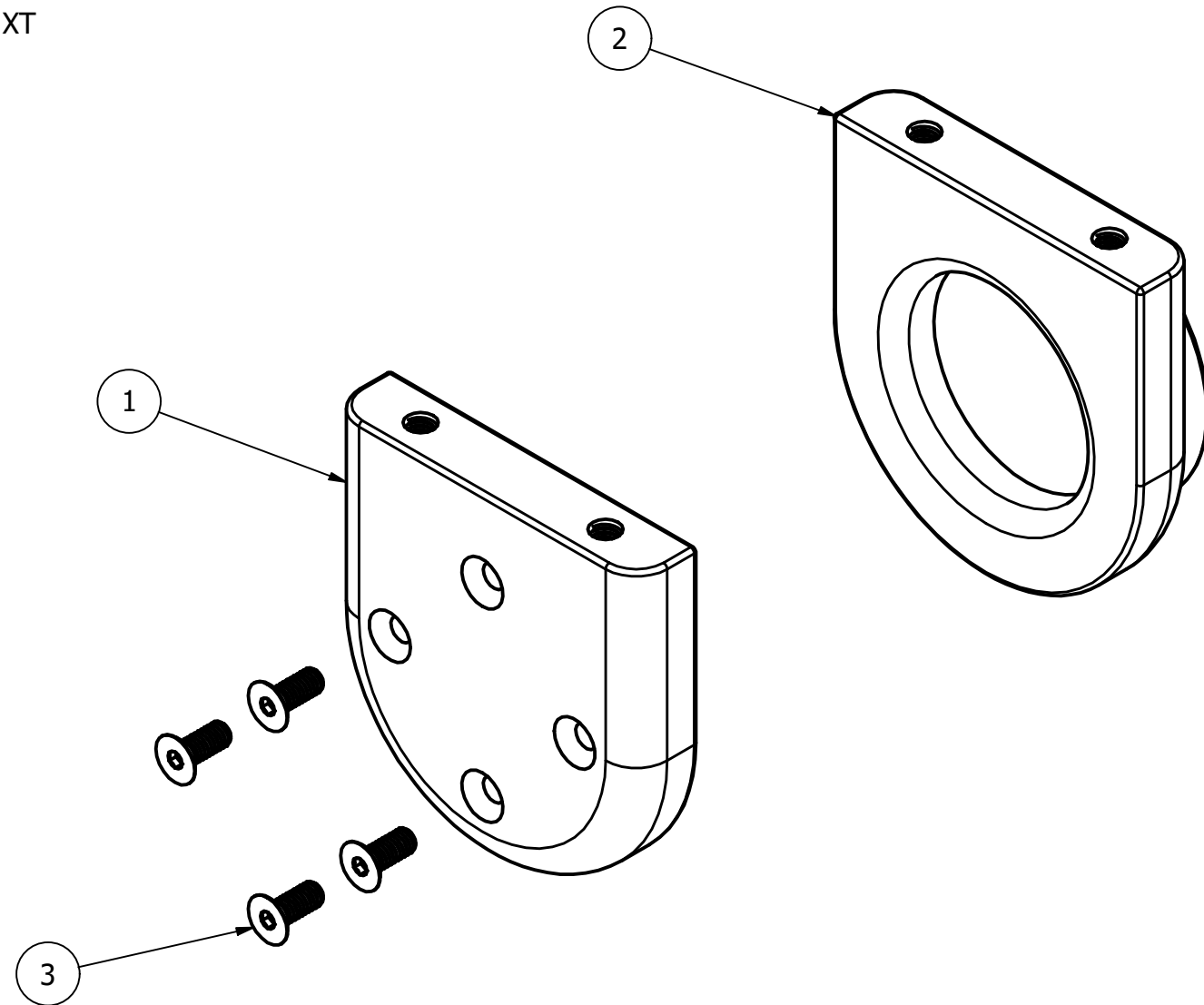
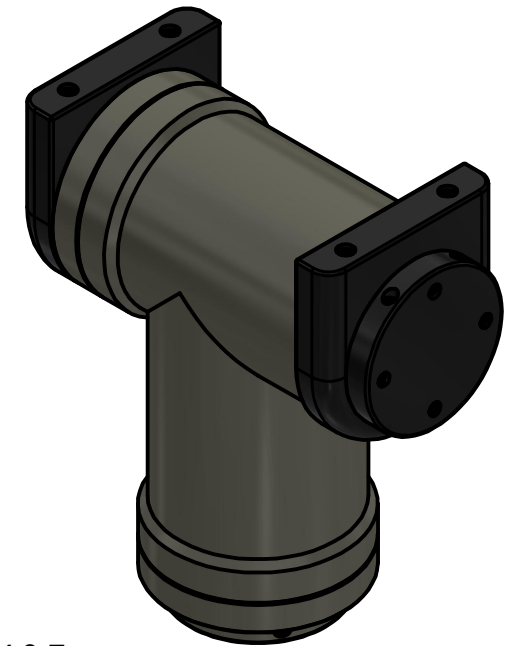
SIZE	DRAWING No.	REV
<b>B</b>	<b>AR505-BA***</b>	<b>A</b>
SCALE	NTS	SHEET 6 OF 21



INVERSE OPTION FEATURES A MODIFIED CHEEK PLATE TO ALLOW:  
 - SIDE MOUNTING ON OPPOSITE SIDE  
 - SIMULTANEOUS SIDE & TOP MOUNTING

COMPATIBLE WITH:  
 - HAMMERHEAD  
 - HAMMERHEAD XT

### AR505-BA006 CHEEK PLATES, INVERSE (ACETAL RESIN, BLACK)



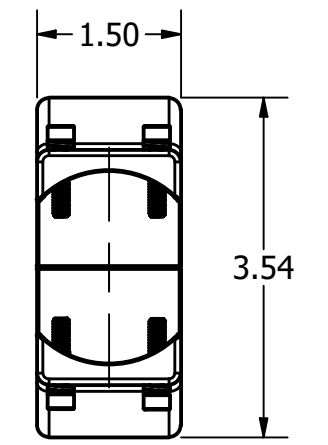
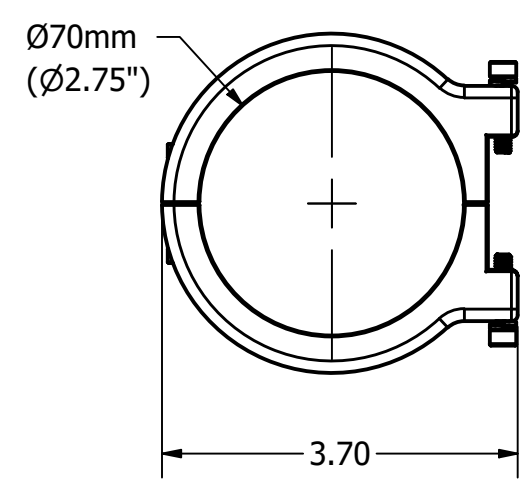
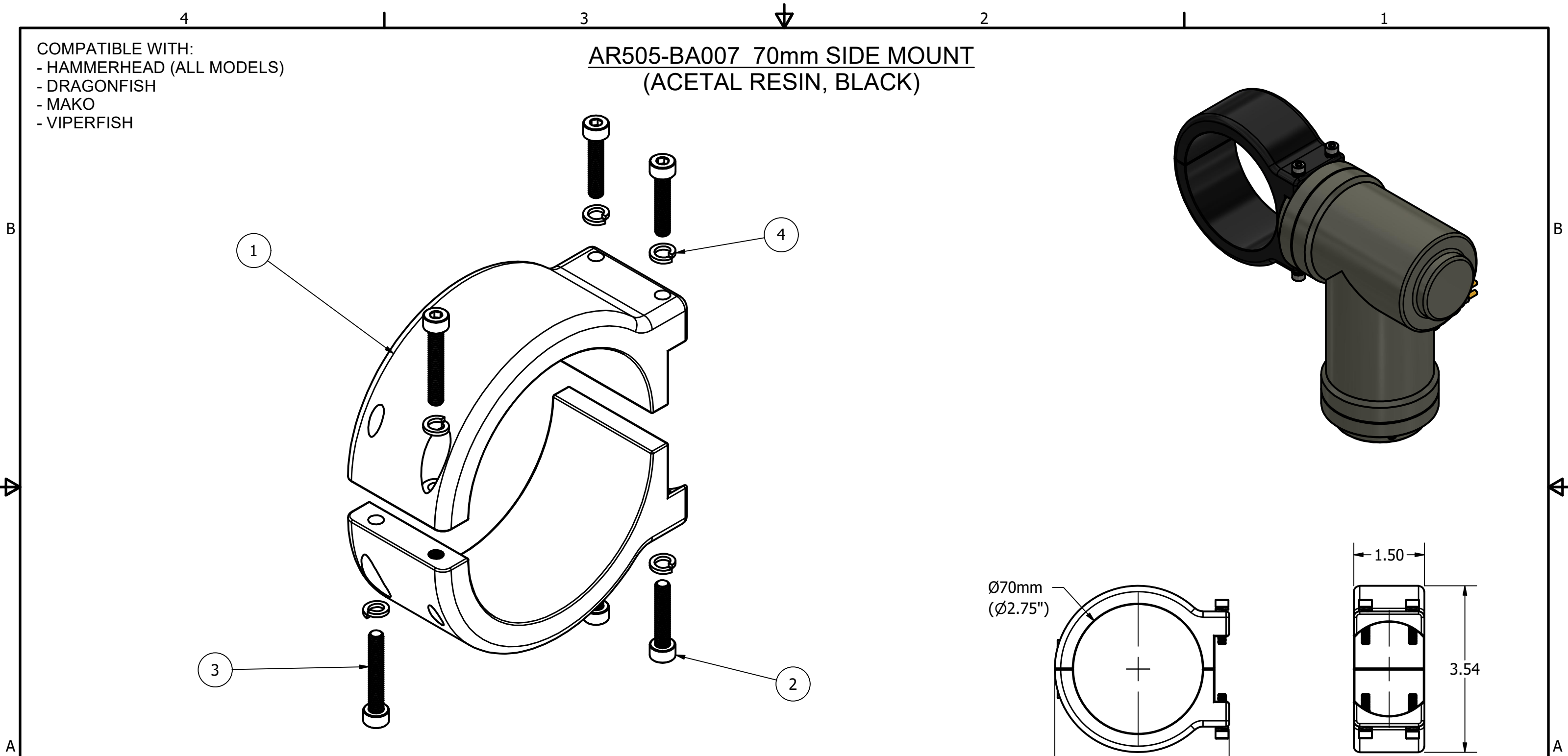
#### PARTS LIST

ITEM	QTY	PART NUMBER	DESCRIPTION
1	1	AR505-002	Tilt Adaptor
2	1	AR505-004	Tilt Bushing_Inverse
3	4	93395A254	M4 x 10mm_Hex Drive Flat Head Screw_316 SS

SIZE	DRAWING No.	REV
<b>B</b>	<b>AR505-BA***</b>	<b>A</b>
SCALE	NTS	SHEET 7 OF 21

COMPATIBLE WITH:  
 - HAMMERHEAD (ALL MODELS)  
 - DRAGONFISH  
 - MAKO  
 - VIPERFISH

**AR505-BA007 70mm SIDE MOUNT  
 (ACETAL RESIN, BLACK)**



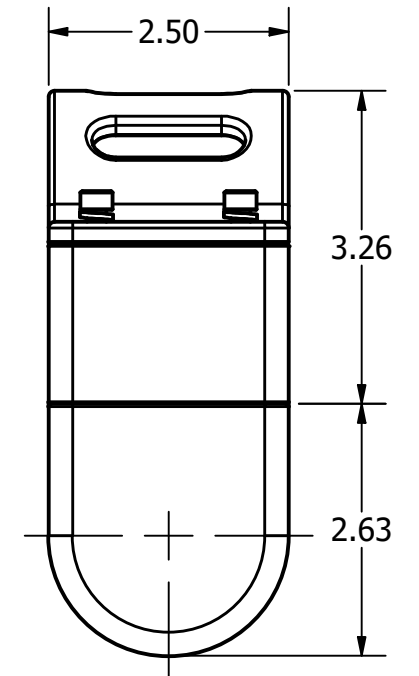
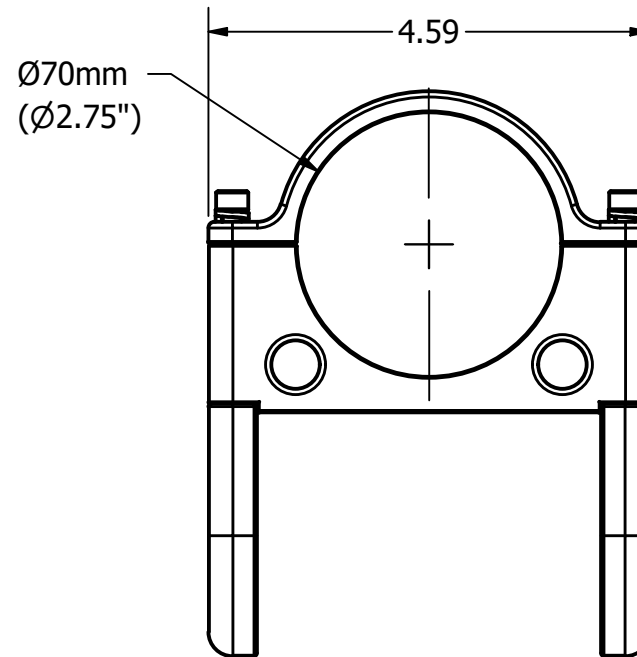
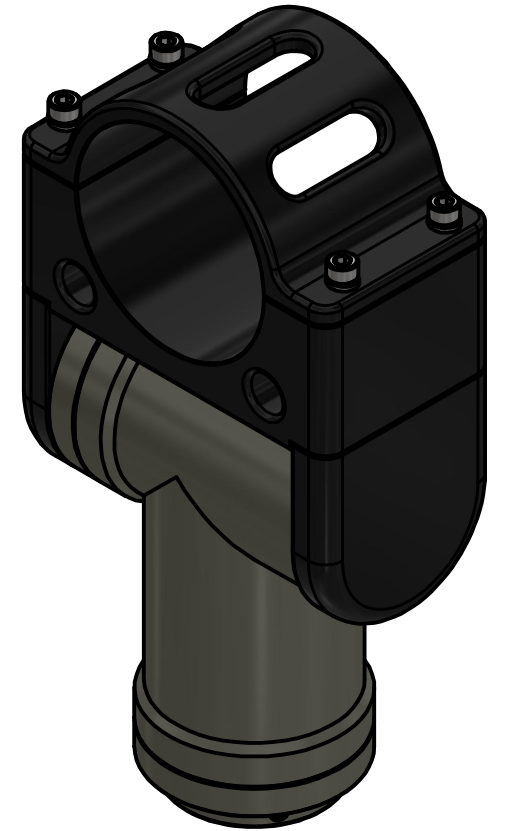
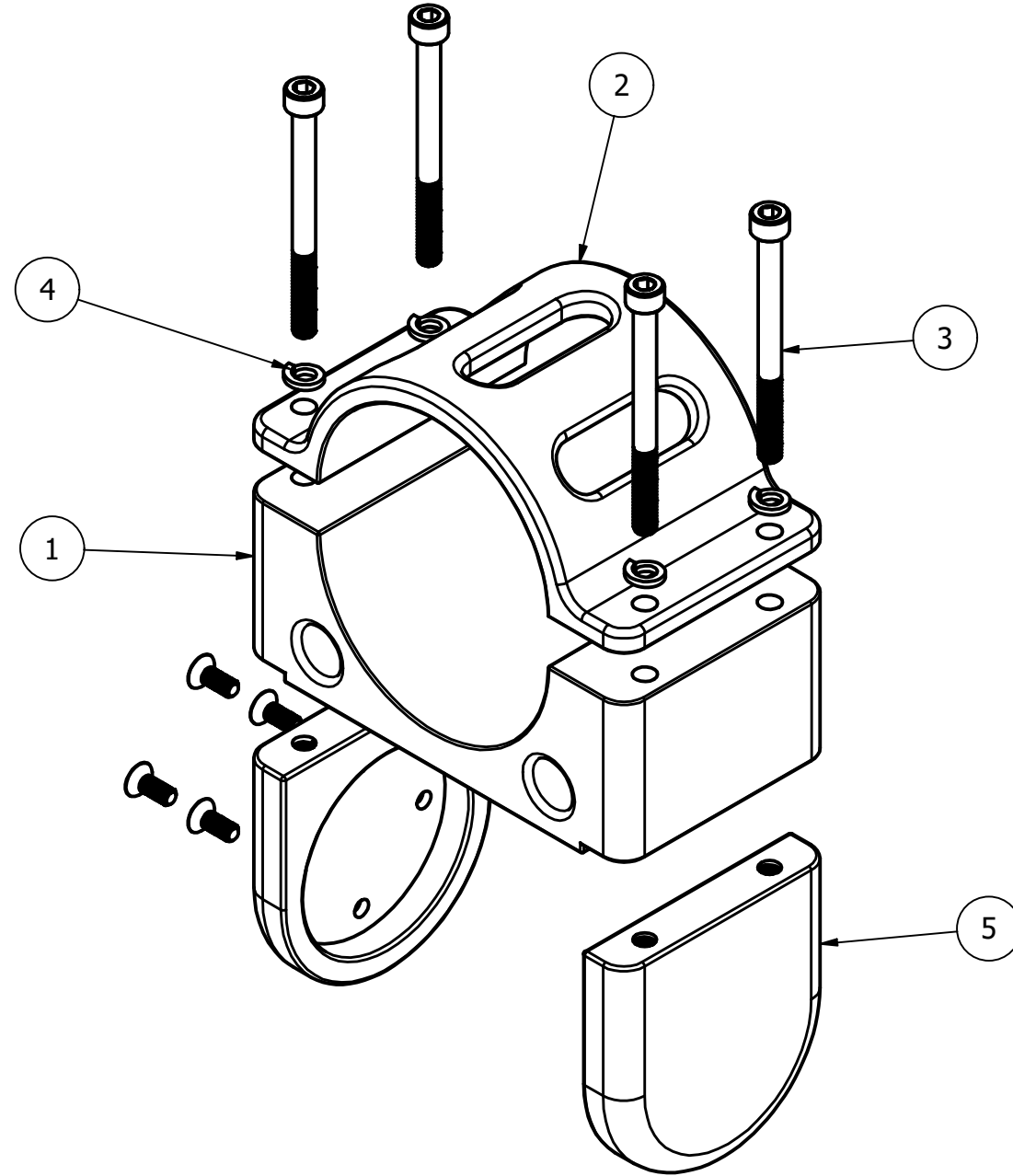
PARTS LIST			
ITEM	QTY	PART NUMBER	DESCRIPTION
1	2	AR505-015	70mm_Side Mount
2	4	92290A168	M4 x 18mm_Socket Head Screw_316 SS
3	2	92290A176	M4 x 25mm_Socket Head Screw_316 SS
4	6	94241A520	M4 Split Washer_Socket Head_316 SS

SIZE	DRAWING No.	REV
<b>B</b>	<b>AR505-BA***</b>	<b>A</b>
SCALE	NTS	SHEET 8 OF 21



COMPATIBLE WITH:  
 - HAMMERHEAD  
 - DRAGONFISH  
 - MAKO  
 - VIPERFISH

**AR505-BA008 70mm TOP MOUNT  
 (ACETAL RESIN, BLACK)**



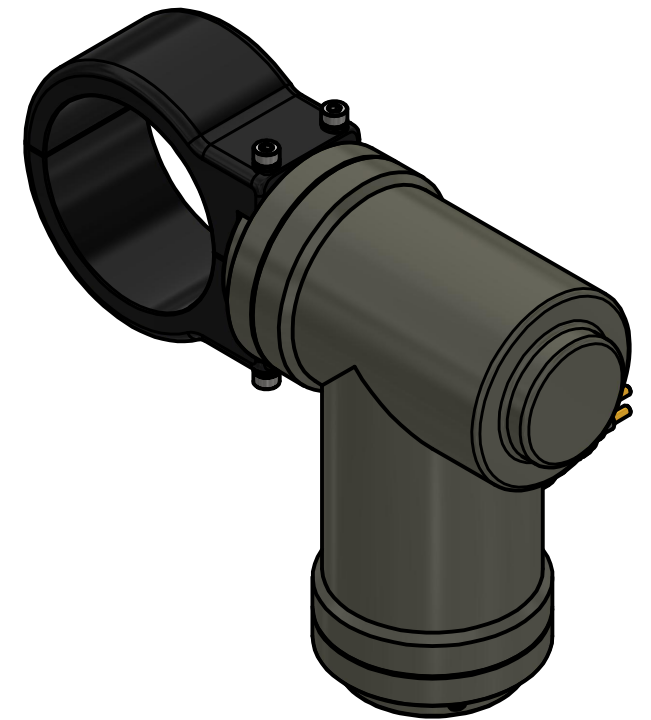
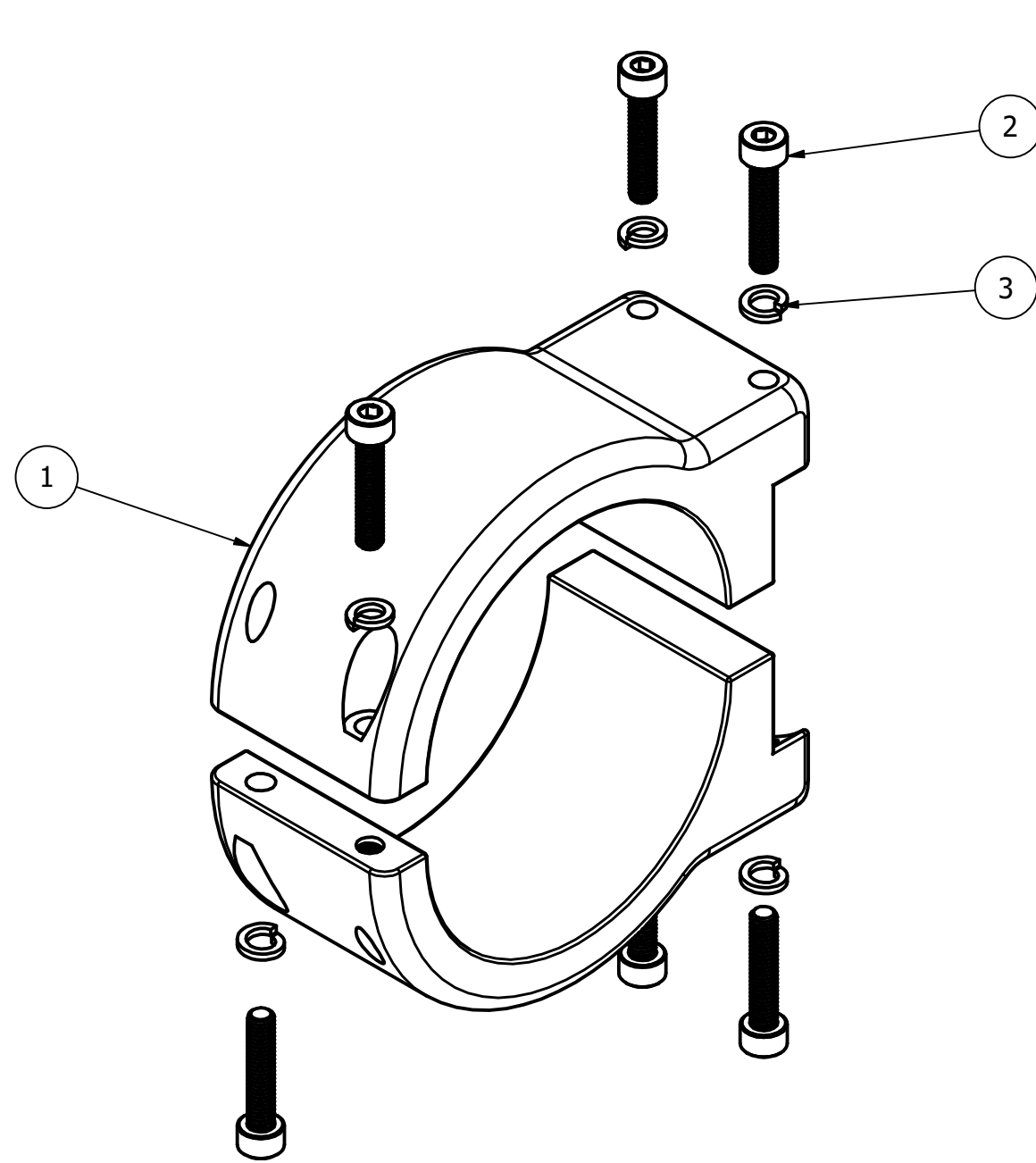
**PARTS LIST**

ITEM	QTY	PART NUMBER	DESCRIPTION
1	1	AR505-016	70mm_TopMount_A
2	1	AR505-017	70mm_TopMount_B
3	4	92290A270	M5 x 60mm_Socket Head Screw_316 SS
4	4	94241A530	M5 Split Washer_Socket Head_316 SS
5	1	AR505-BA005	Cheek_Plates

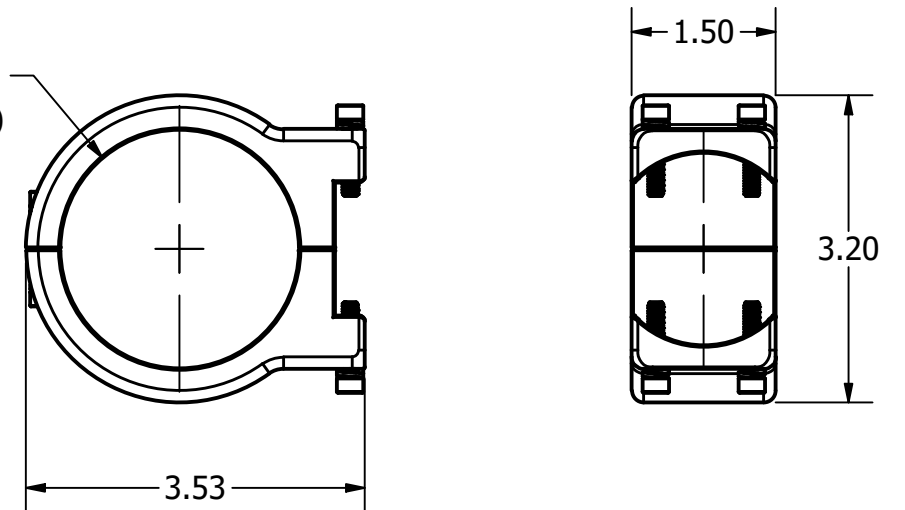
SIZE	DRAWING No.	REV
<b>B</b>	<b>AR505-BA***</b>	<b>A</b>
SCALE	NTS	SHEET 9 OF 21

COMPATIBLE WITH:  
 - HAMMERHEAD (ALL MODELS)  
 - THRESHER

**AR505-BA009 63mm SIDE MOUNT**  
 (ACETAL RESIN, BLACK)



Ø63mm  
 (Ø2.480")



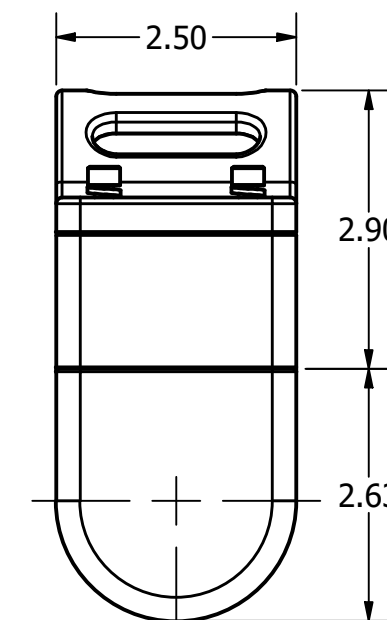
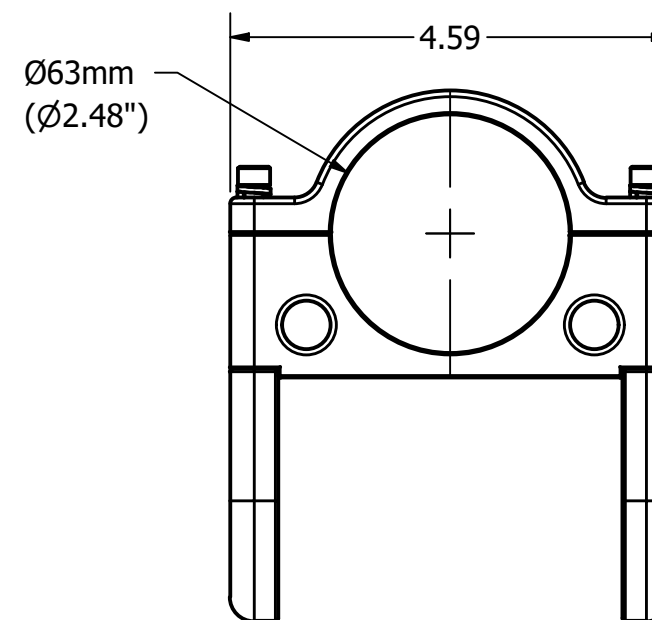
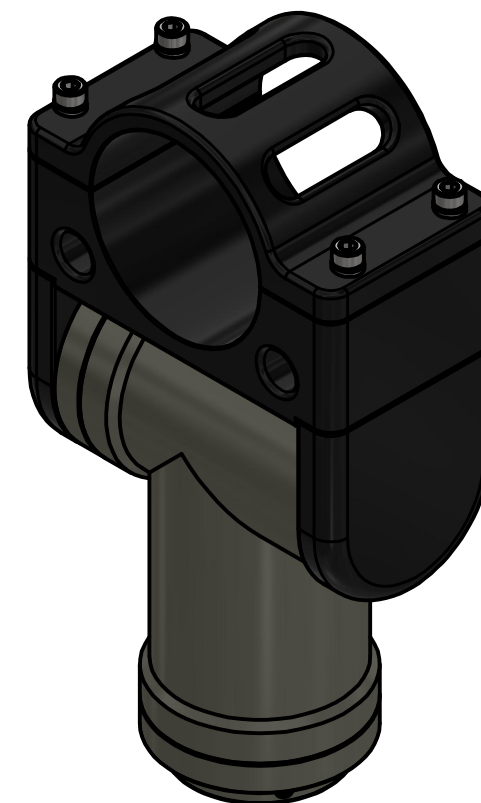
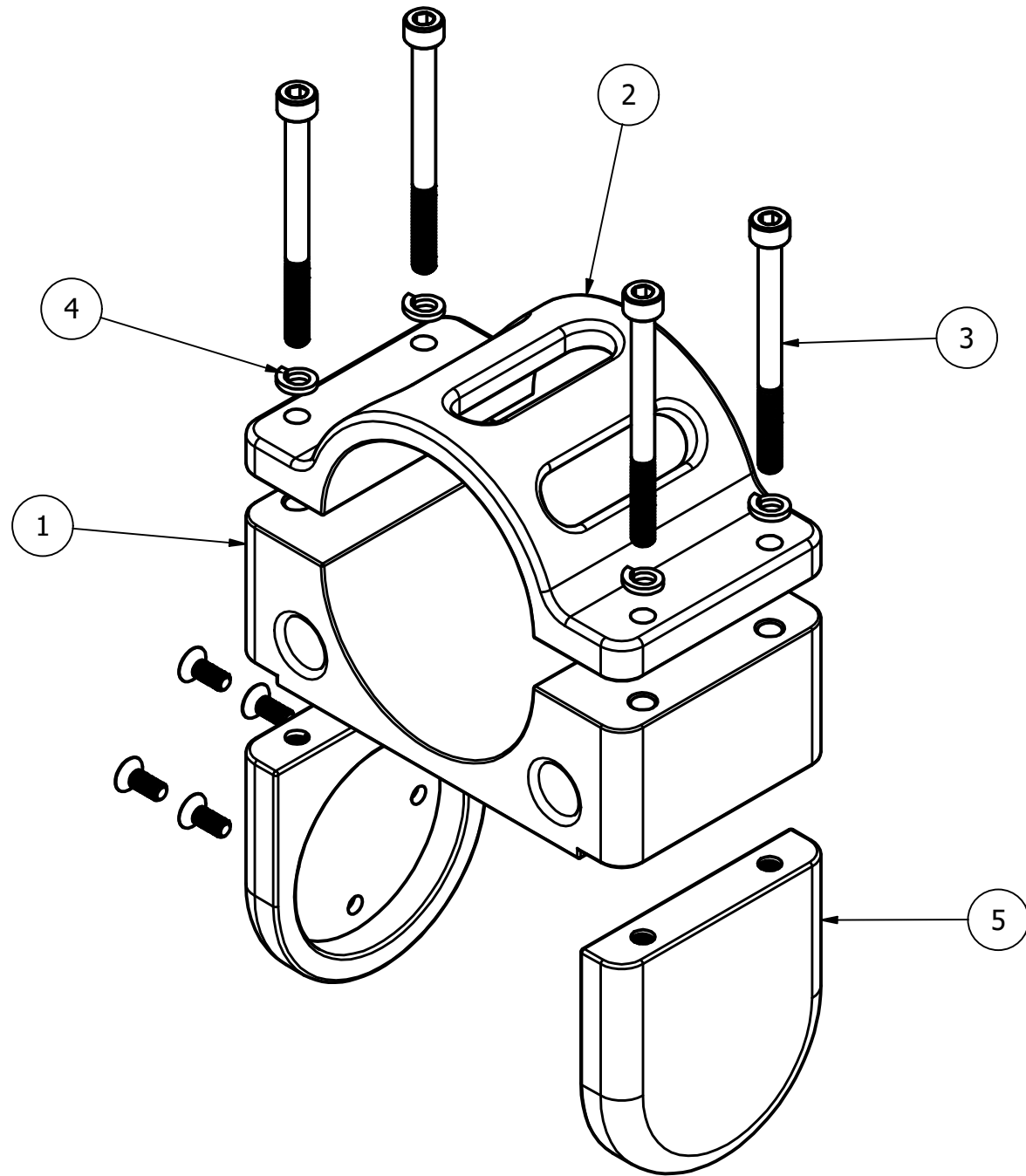
PARTS LIST

ITEM	QTY	PART NUMBER	DESCRIPTION
1	2	AR505-009	63mm_SideMount
2	6	92290A168	M4 x 18mm_Socket Head Screw_316 SS
3	6	94241A520	M4 Split Washer_Socket Head_316 SS

SIZE	DRAWING No.	REV
<b>B</b>	<b>AR505-BA***</b>	<b>A</b>
SCALE NTS	SHEET 10 OF 21	

COMPATIBLE WITH:  
 - HAMMERHEAD  
 - THRESHER

**AR505-BA010 63mm TOP MOUNT  
 (ACETAL RESIN, BLACK)**



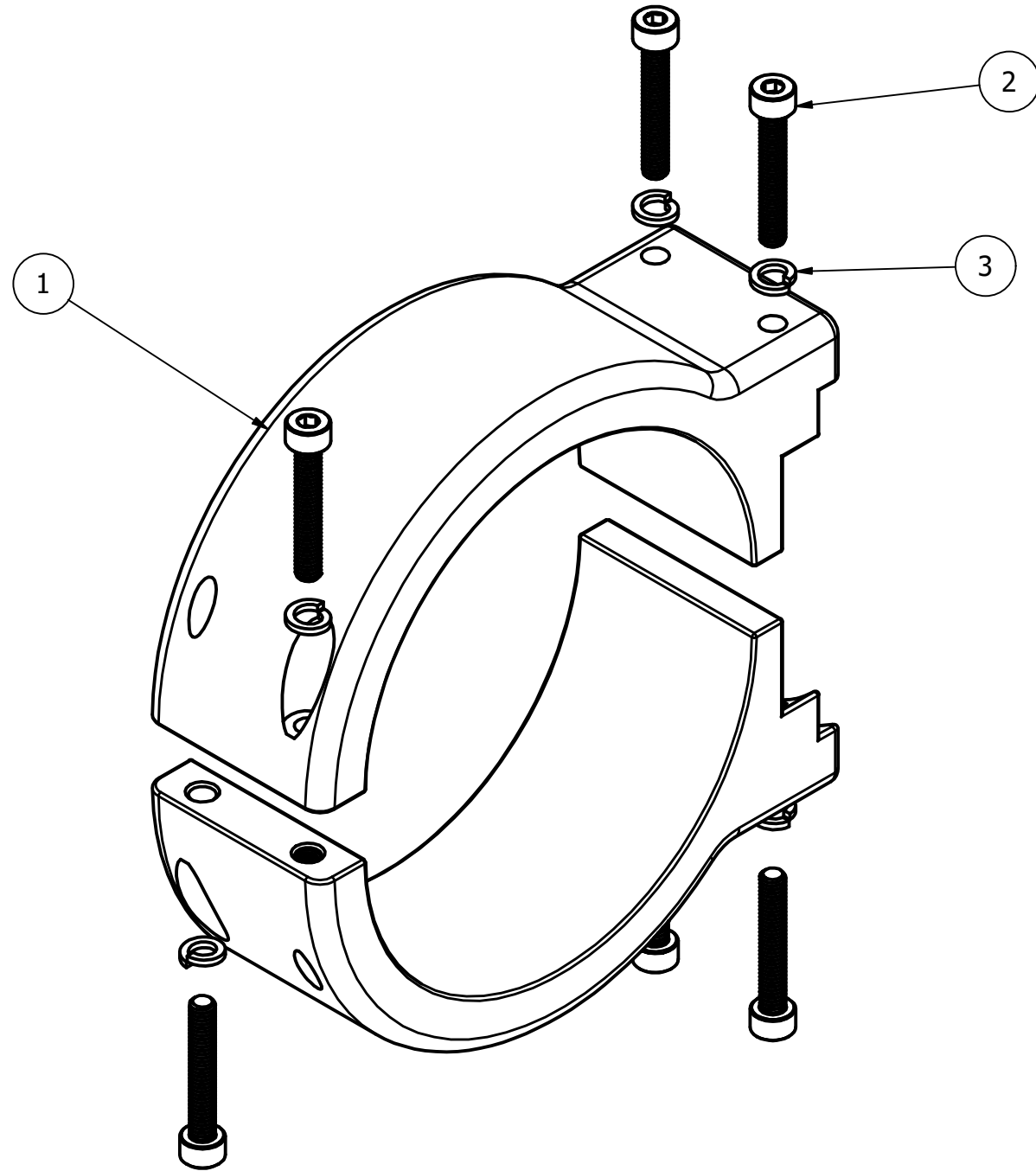
**PARTS LIST**

ITEM	QTY	PART NUMBER	DESCRIPTION
1	1	AR505-007	63mm_TopMount_A
2	1	AR505-008	63mm_TopMount_B
3	4	92290A270	M5 x 60mm_Socket Head Screw_316 SS
4	4	94241A530	M5 Split Washer_Socket Head_316 SS
5	1	AR505-BA005	Cheek_Plates

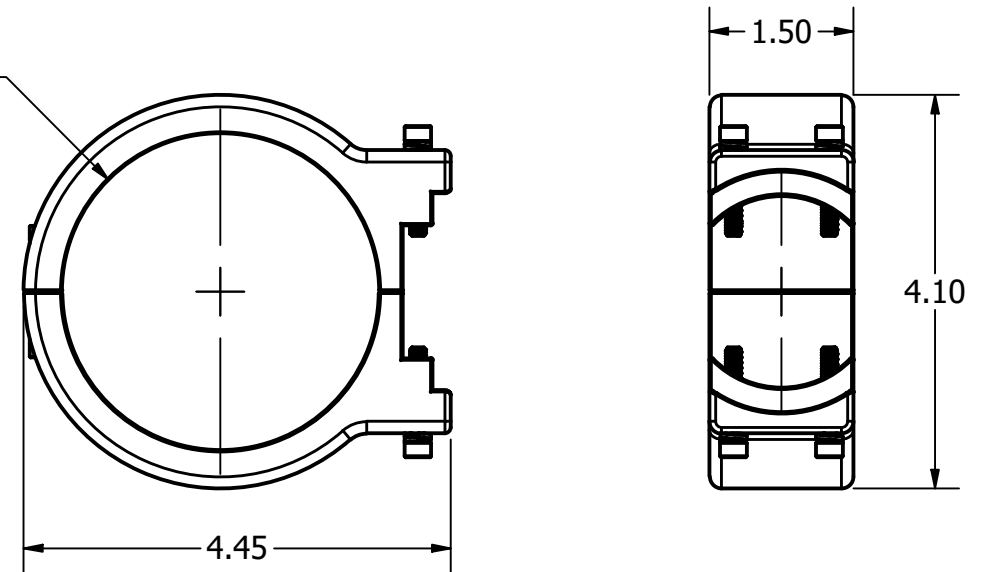
SIZE	DRAWING No.	REV
<b>B</b>	<b>AR505-BA***</b>	<b>A</b>
SCALE NTS	SHEET 11 OF 21	

COMPATIBLE WITH:  
 - HAMMERHEAD (ALL MODELS)  
 - MANTA  
 - WOLFFISH

**AR505-BA011 83mm SIDE MOUNT**  
 (ACETAL RESIN, BLACK)



Ø83mm  
 (Ø3.30")



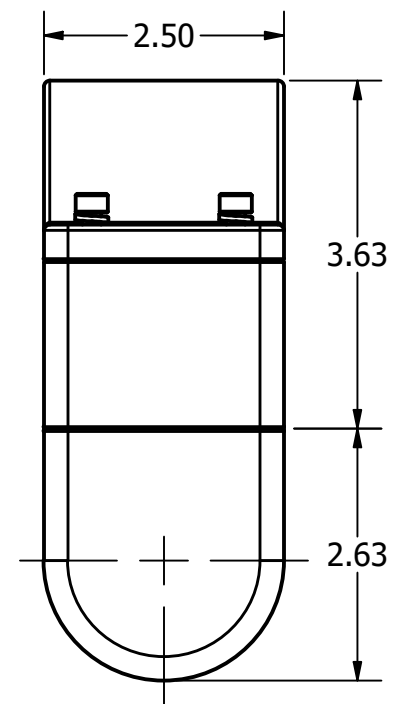
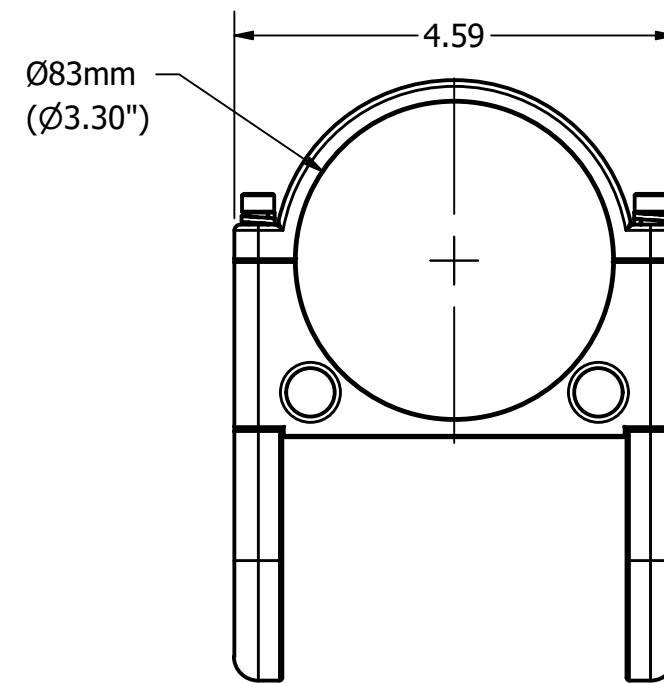
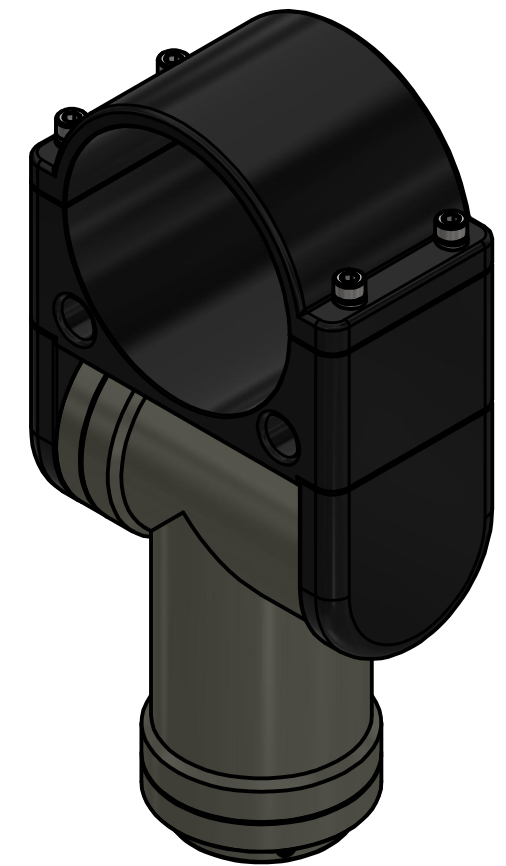
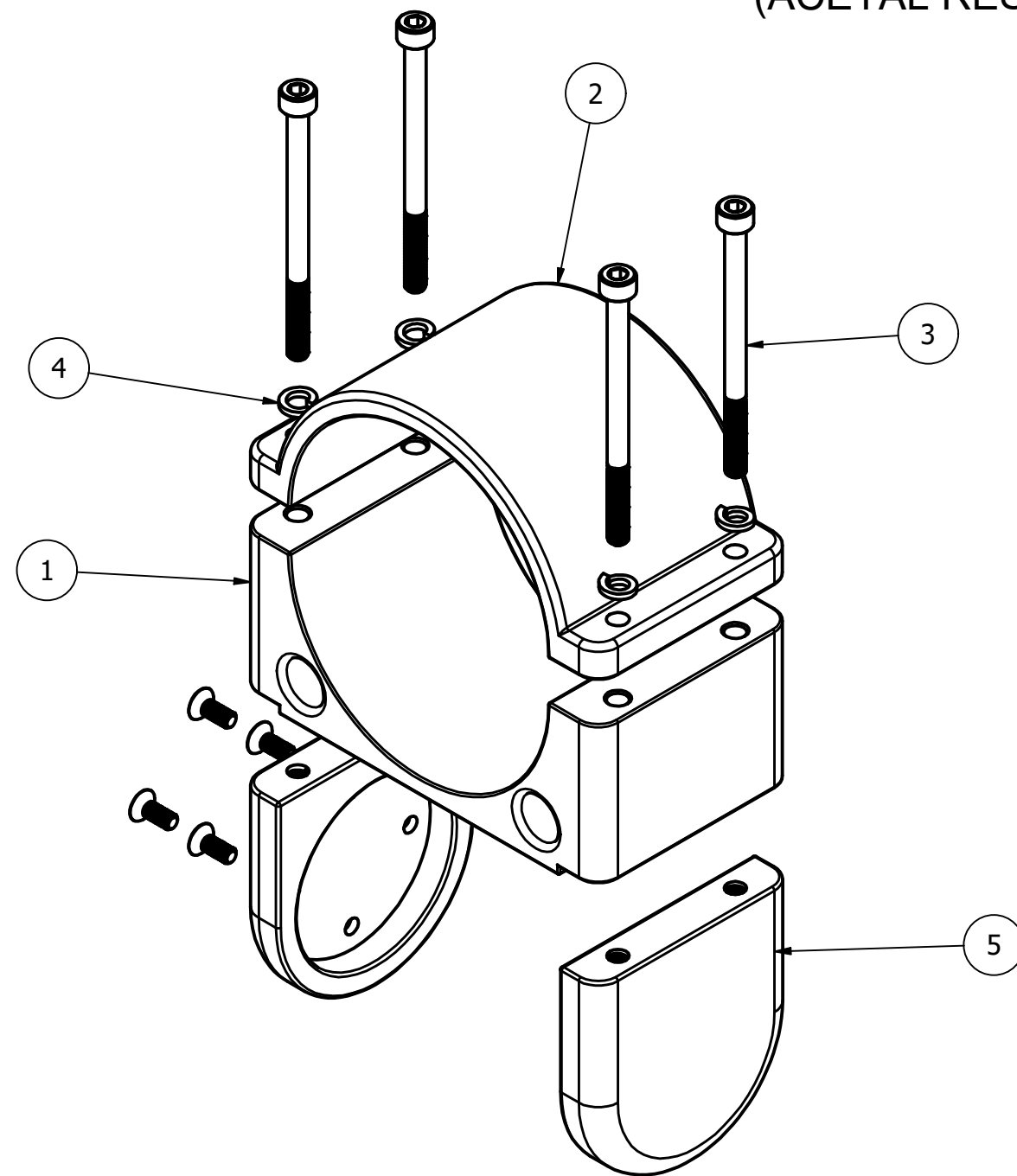
PARTS LIST

ITEM	QTY	PART NUMBER	DESCRIPTION
1	2	AR505-012	83mm_SideMount
2	6	92290A176	M4 x 25mm_Socket Head Screw_316 SS
3	6	94241A520	M4 Split Washer_Socket Head_316 SS

SIZE	DRAWING No.	REV
<b>B</b>	<b>AR505-BA***</b>	<b>A</b>
SCALE	NTS	SHEET 12 OF 21

COMPATIBLE WITH:  
 - HAMMERHEAD  
 - MANTA  
 - WOLFFISH

**AR505-BA012 83mm TOP MOUNT  
 (ACETAL RESIN, BLACK)**

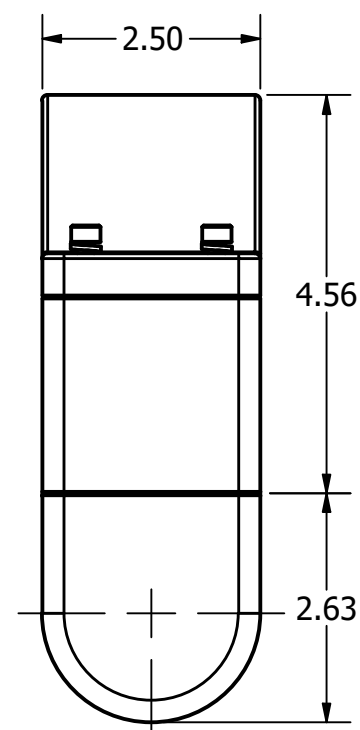
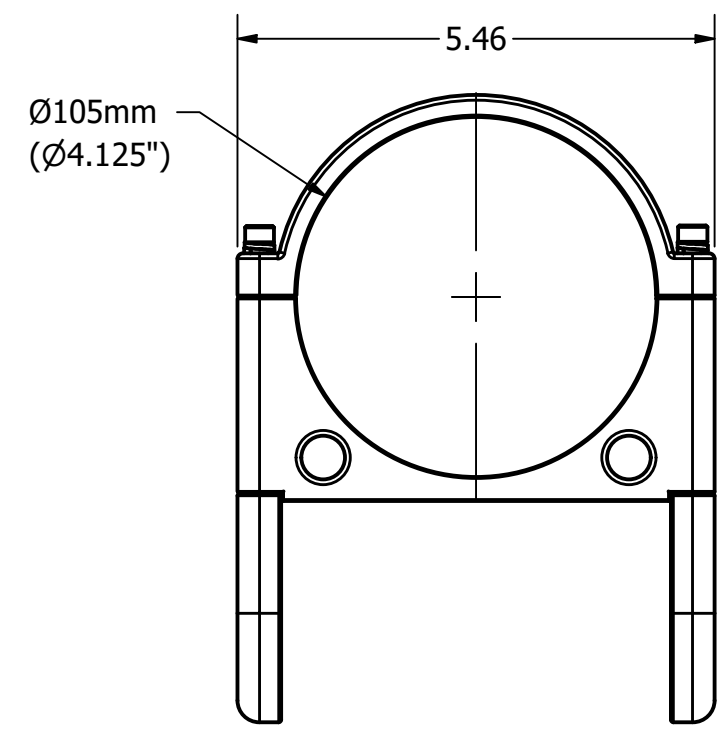
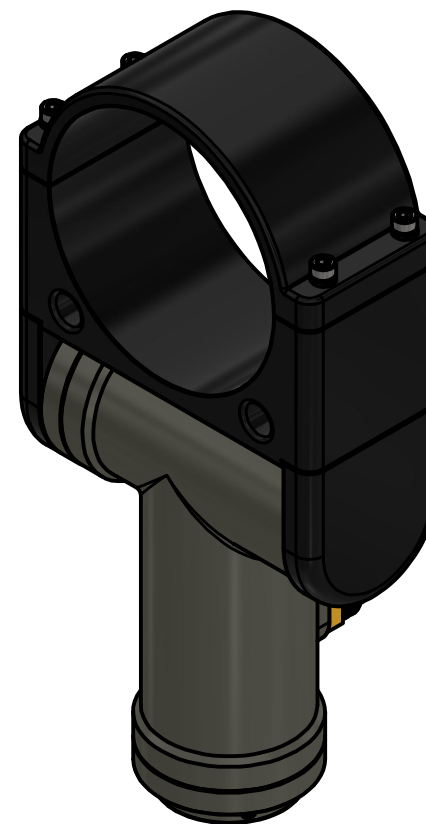
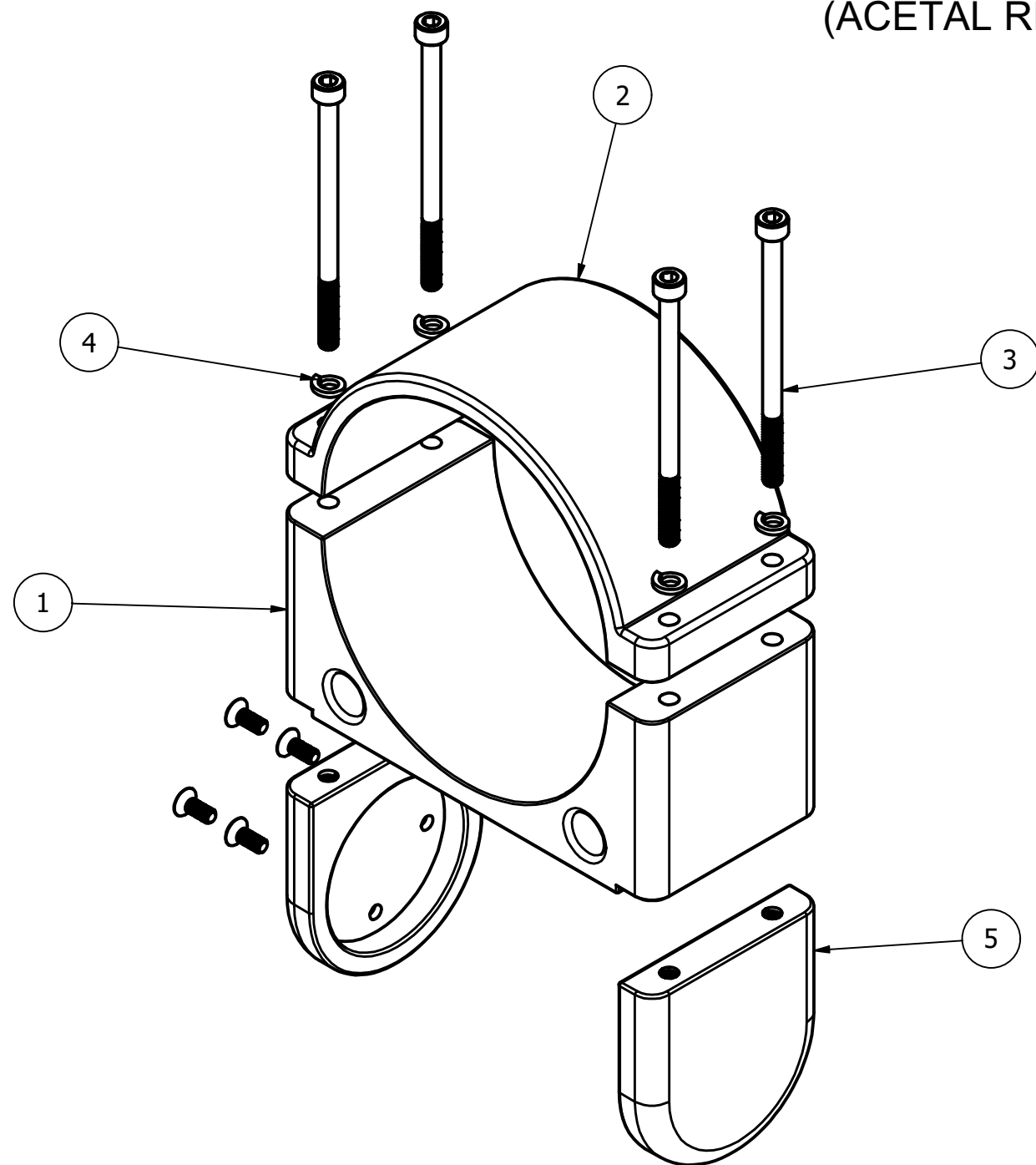


PARTS LIST			
ITEM	QTY	PART NUMBER	DESCRIPTION
1	1	AR505-010	83mm_TopMount_A
2	1	AR505-011	83mm_TopMount_B
3	4	92290A783	M5 x 70mm_Socket Head Screw_316 SS
4	4	94241A530	M5 Split Washer_Socket Head_316 SS
5	1	AR505-BA005	Cheek_Plates

SIZE	DRAWING No.	REV
<b>B</b>	<b>AR505-BA***</b>	<b>A</b>
SCALE NTS	SHEET 13 OF 21	

COMPATIBLE WITH:  
 - HAMMERHEAD XT  
 - EAGLERAY

**AR505-BA013 105mm XT TOP MOUNT**  
 (ACETAL RESIN, BLACK)



PARTS LIST

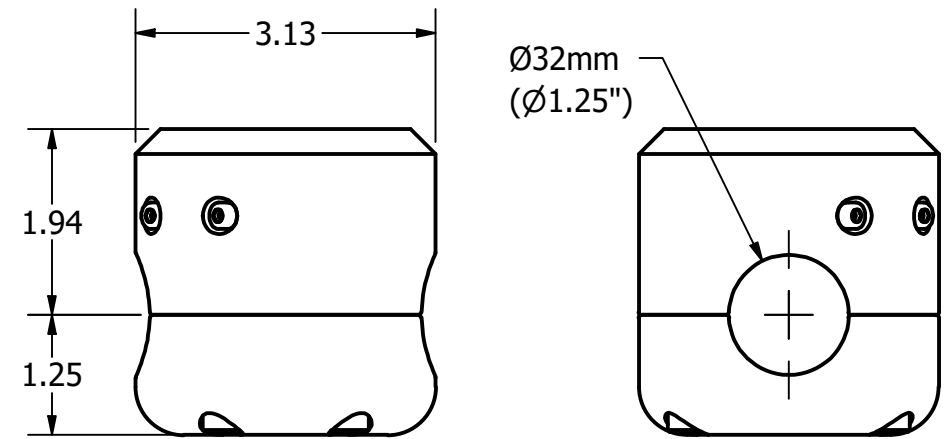
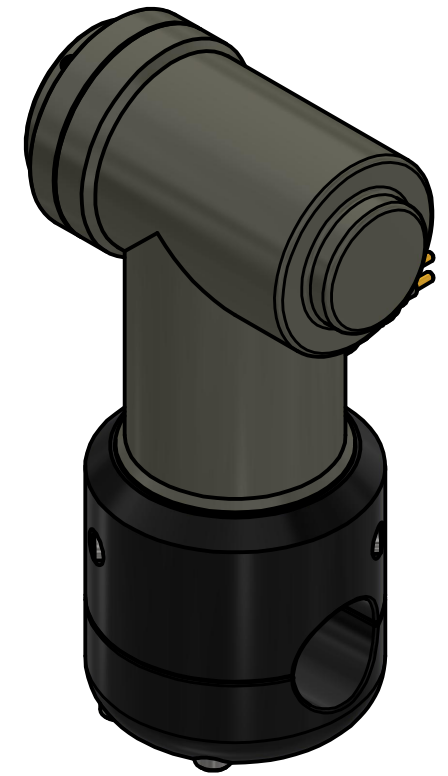
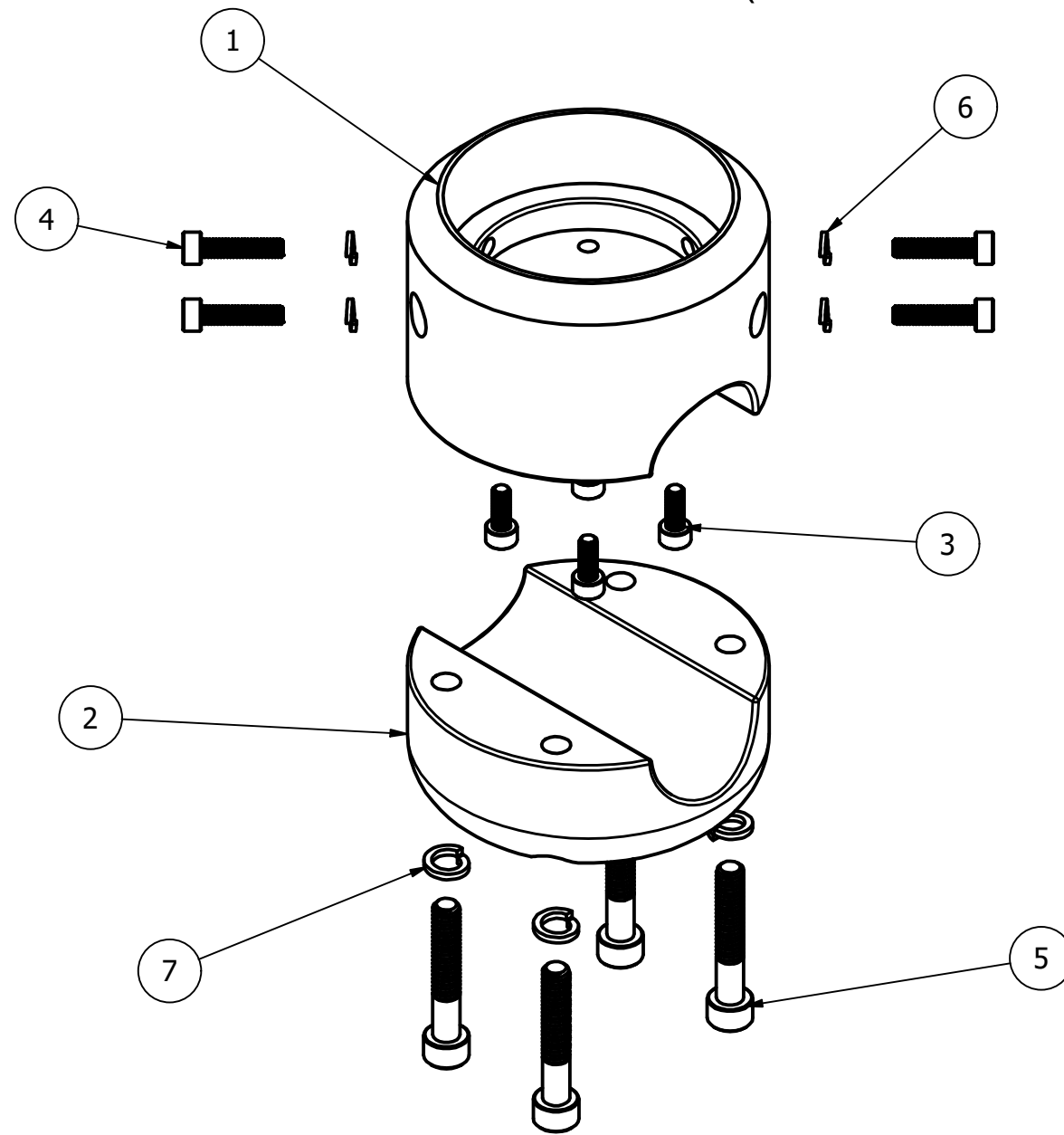
ITEM	QTY	PART NUMBER	DESCRIPTION
1	1	AR505-013	105mm_XT_TopMount_A
2	1	AR505-014	105mm_XT_TopMount_B
3	4	92290A784	M5 x 80mm_Socket Head Screw_316 SS
4	4	94241A530	M5 Split Washer_Socket Head_316 SS
5	1	AR505-BA005	Cheek_Plates

SIZE	DRAWING No.	REV
<b>B</b>	<b>AR505-BA***</b>	<b>A</b>
SCALE	NTS	SHEET 14 OF 21



COMPATIBLE WITH:  
 - HAMMERHEAD  
 - HAMMERHEAD XT

**AR505-BA014 PIPE CLAMP 1 1/4"**  
 (ACETAL RESIN, BLACK)



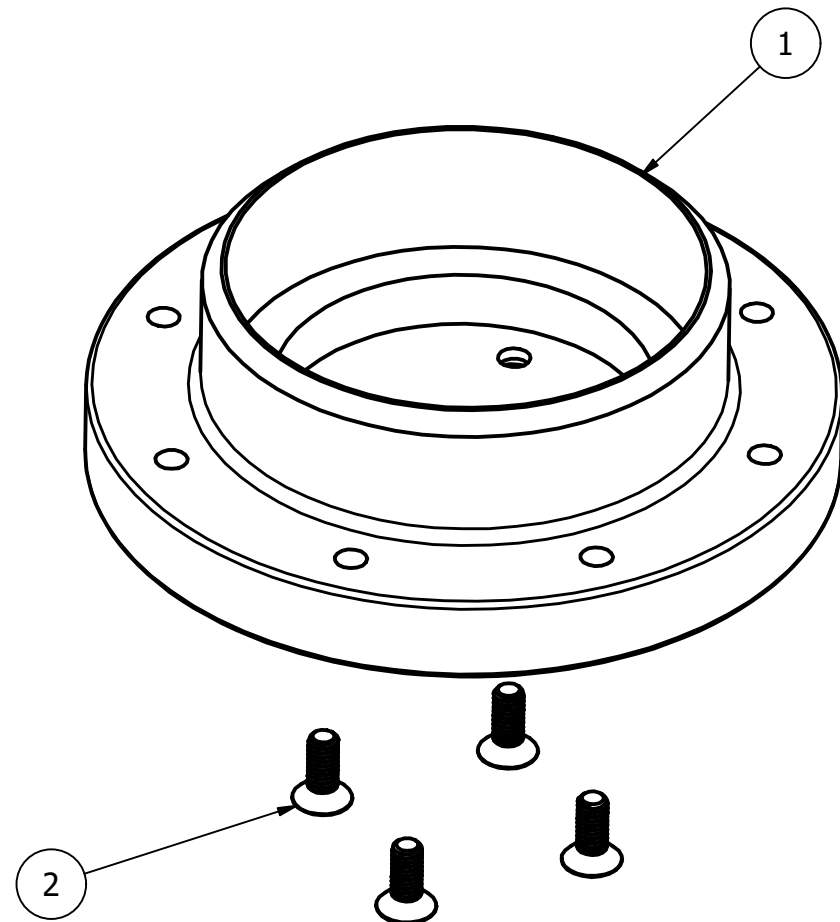
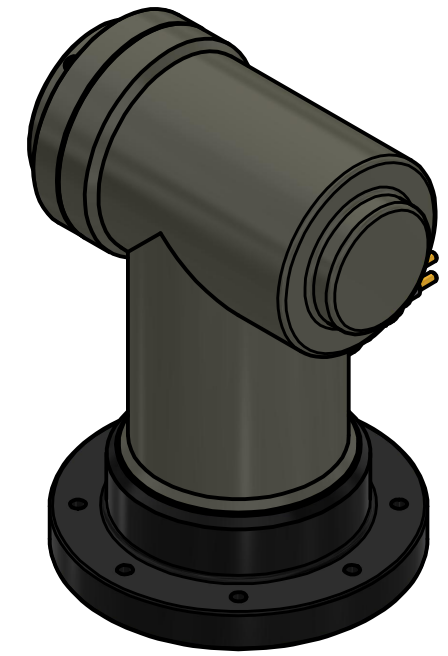
PARTS LIST

ITEM	QTY	PART NUMBER	DESCRIPTION
1	1	AR505-022	Pipe Clamp 1 1/4" _A
2	1	AR505-023	Pipe Clamp 1 1/4" _B
3	4	92290A144	M4 x 10mm_Socket Head_316 SS
4	4	92290A161	M4 x 18mm_Socket Head Screw_316 SS
5	4	92290A334	M6 x 35mm_Socket Head_316 SS
6	4	94241A520	M4 Split Washer_Socket Head_316 SS
7	4	94241A540	M6 Split Washer_Socket Head_316 SS

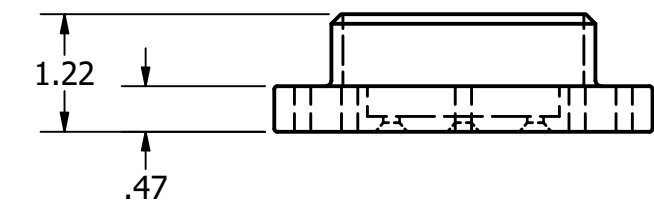
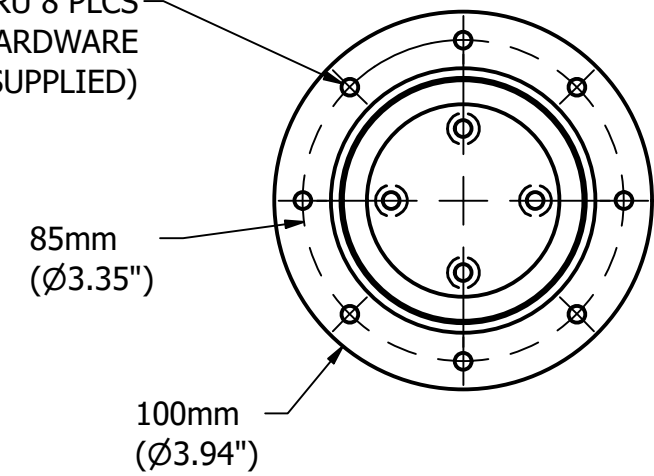
SIZE	DRAWING No.	REV
<b>B</b>	<b>AR505-BA***</b>	<b>A</b>
SCALE NTS	SHEET 15 OF 21	

COMPATIBLE WITH:  
 - HAMMERHEAD  
 - HAMMERHEAD XT

AR505-BA015 PAN PLATE, COLLARED  
 (ACETAL RESIN, BLACK)



Ø.17 THRU 8 PLCS  
 FOR M4 HARDWARE  
 (NOT SUPPLIED)



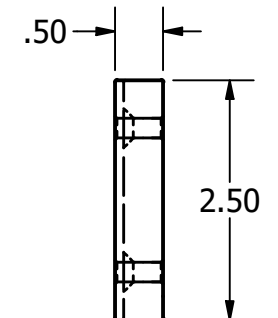
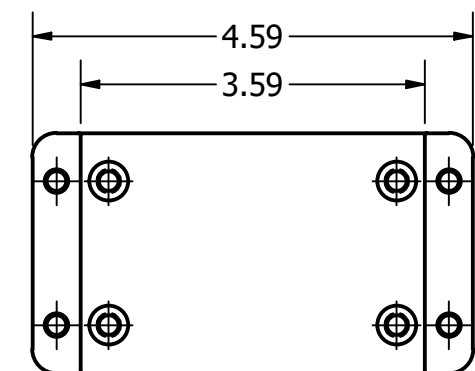
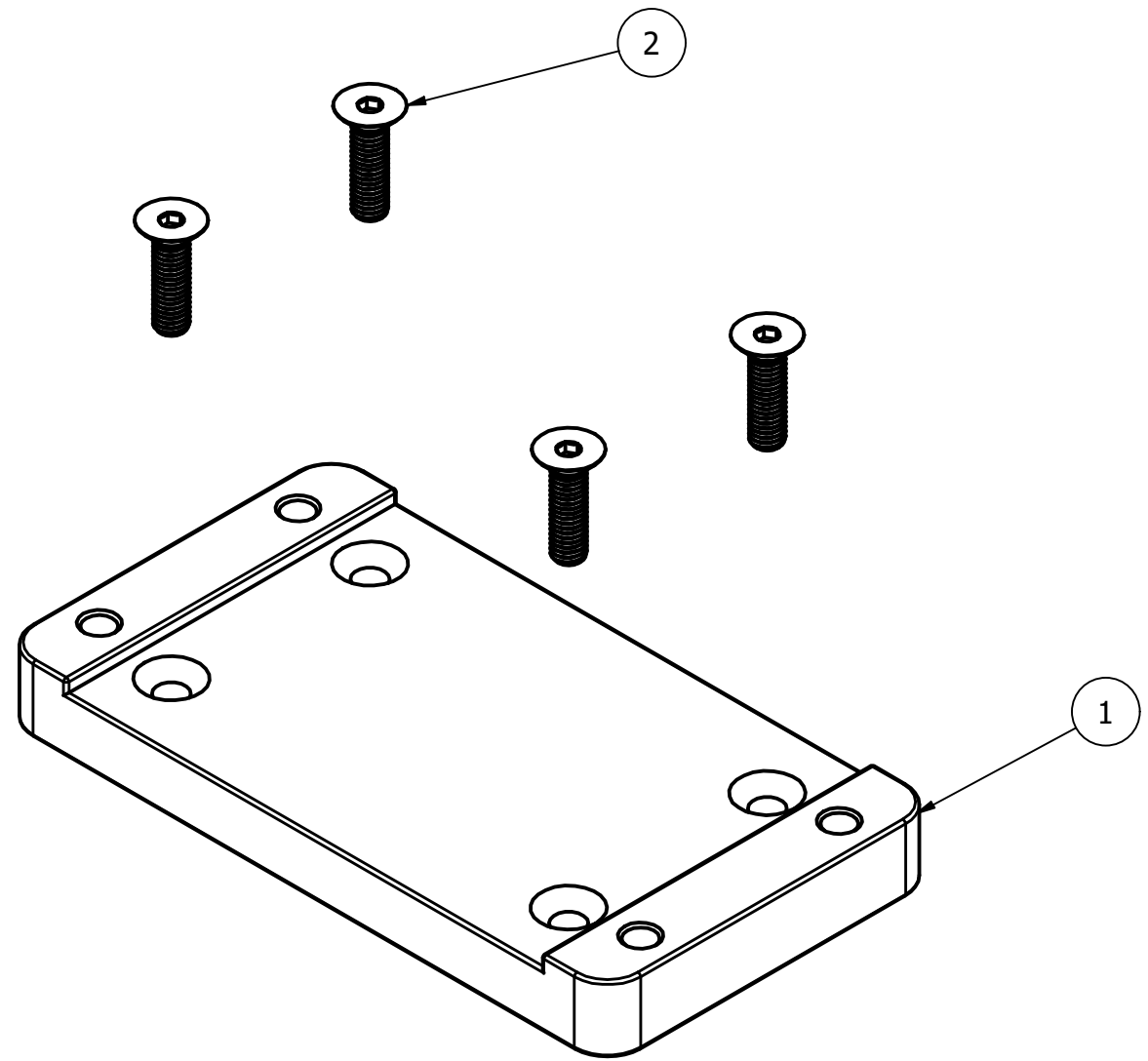
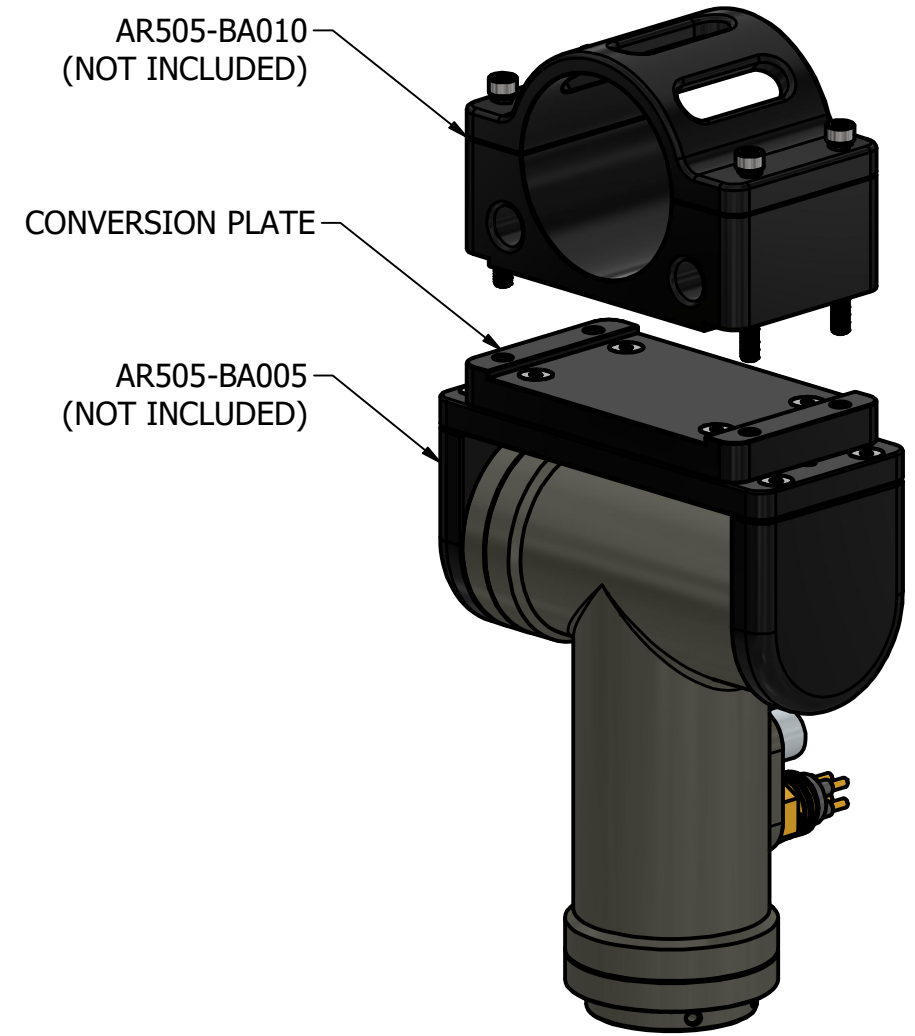
PARTS LIST

ITEM	QTY	PART NUMBER	DESCRIPTION
1	1	AR505-001	Pan Plate_Collared
2	4	93395A254	M4 x 10mm_Hex Drive Flat Head Screw_316 SS

SIZE	DRAWING No.	REV
<b>B</b>	<b>AR505-BA***</b>	<b>A</b>
SCALE	NTS	SHEET 16 OF 21

CONVERSION PLATE ALLOWS MOUNTING BRACKETS DESIGNED FOR HAMMERHEAD TO BE EASILY FITTED TO HAMMERHEAD XT

### AR505-BA016 CONVERSION PLATE (ACETAL RESIN, BLACK)



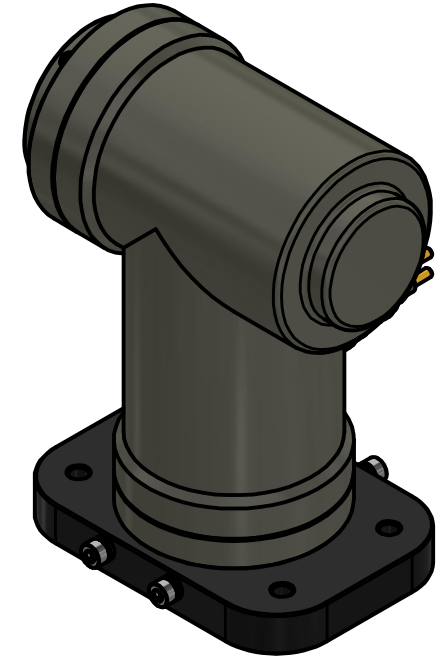
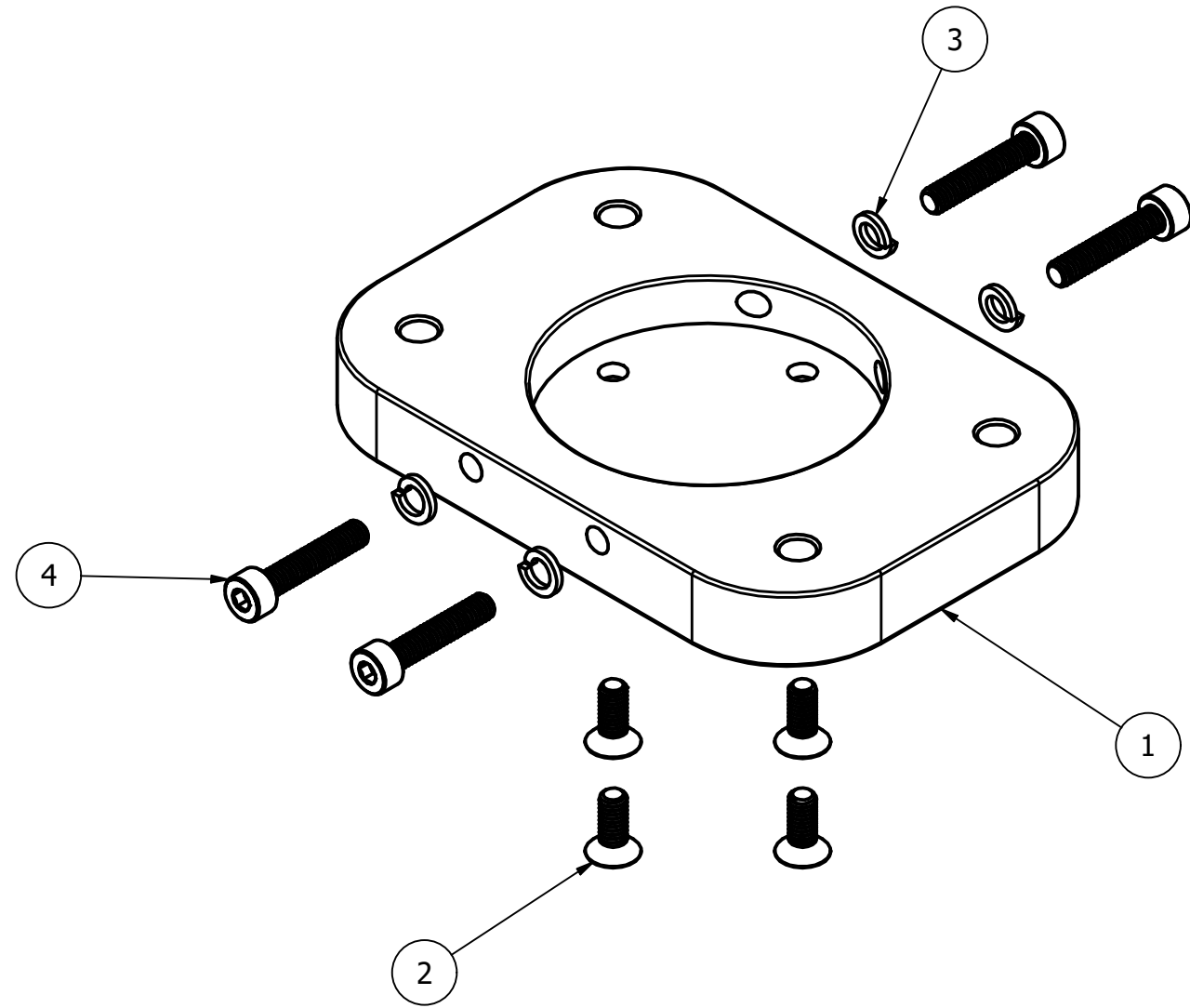
#### PARTS LIST

ITEM	QTY	PART NUMBER	DESCRIPTION
1	1	AR505-018	Conversion Plate
2	4	93395A309	M5 x 18mm_Hex Drive Flat Head Screw_316 SS

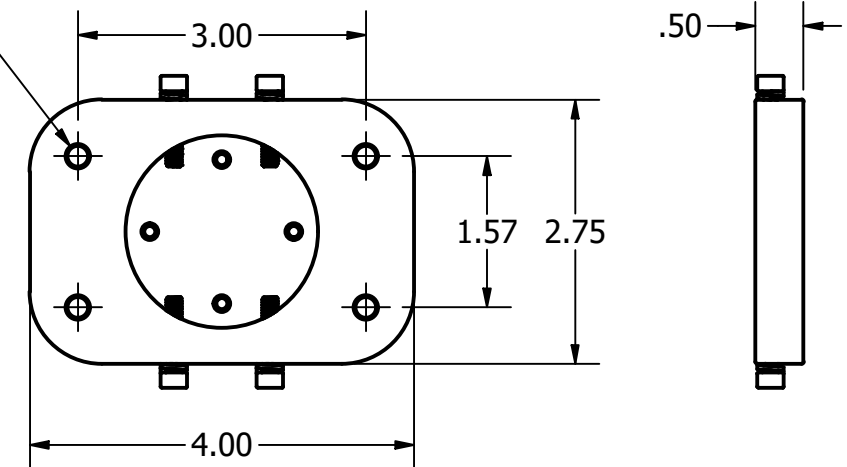
SIZE	DRAWING No.	REV
<b>B</b>	<b>AR505-BA***</b>	<b>A</b>
SCALE	NTS	SHEET 17 OF 21

COMPATIBLE WITH:  
 - HAMMERHEAD  
 - HAMMERHEAD XT

AR505-BA017 PAN PLATE, FLAT  
 (ACETAL RESIN, BLACK)



Ø.22 THRU 4 PLCS  
 FOR M5 HARDWARE  
 (NOT SUPPLIED)



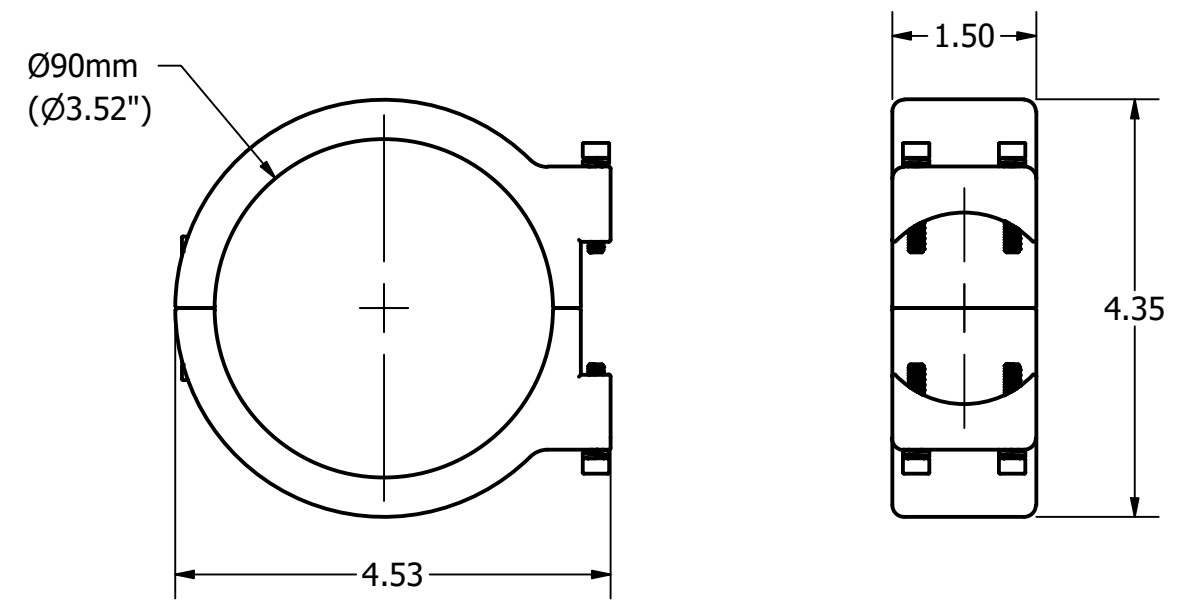
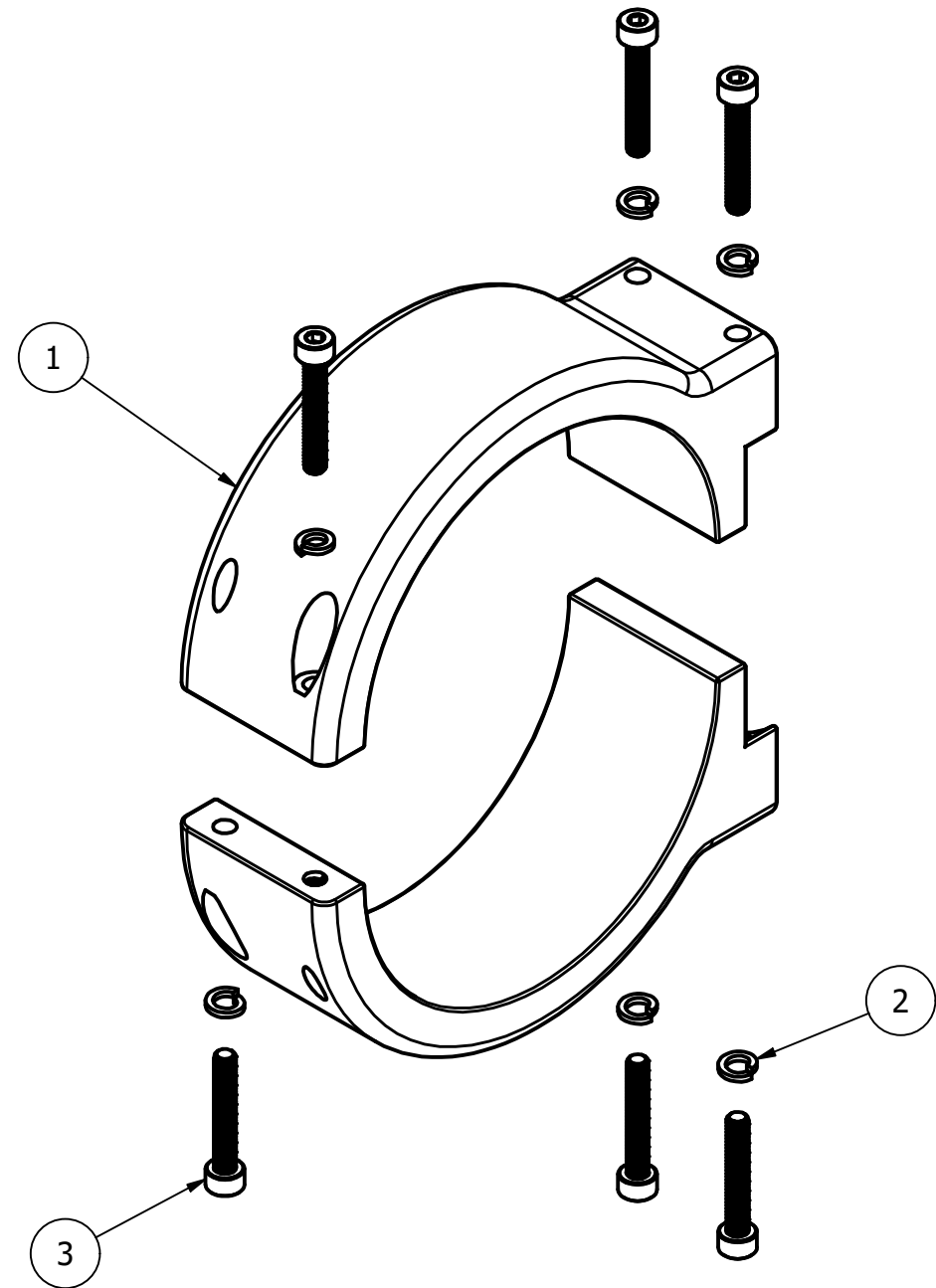
PARTS LIST

ITEM	QTY	PART NUMBER	DESCRIPTION
1	1	AR505-019	Pan Plate_Flat
2	4	93395A254	M4 x 10mm_Hex Drive Flat Head Screw_316 SS
3	4	94241A520	M4 Split Washer_Socket Head_316 SS
4	4	92290A168	M4 x 18mm_Socket Head Screw_316 SS

SIZE	DRAWING No.	REV
<b>B</b>	<b>AR505-BA***</b>	<b>A</b>
SCALE NTS	SHEET 18 OF 21	

COMPATIBLE WITH:  
- HAMMERHEAD (ALL MODELS)

**AR505-BA018 90mm SIDE MOUNT**  
(ACETAL RESIN, BLACK)



PARTS LIST

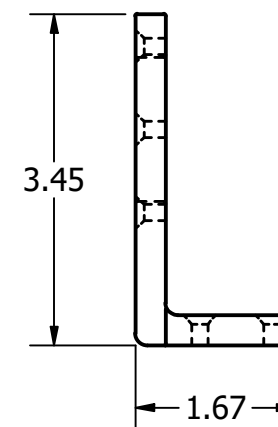
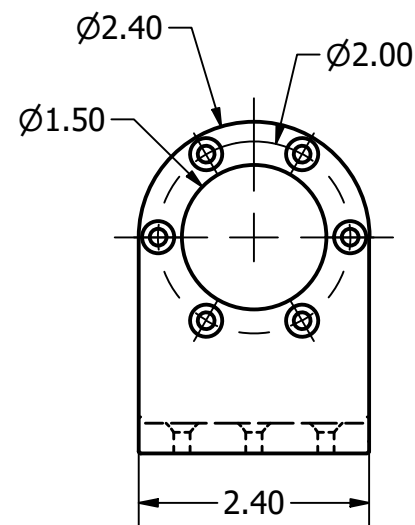
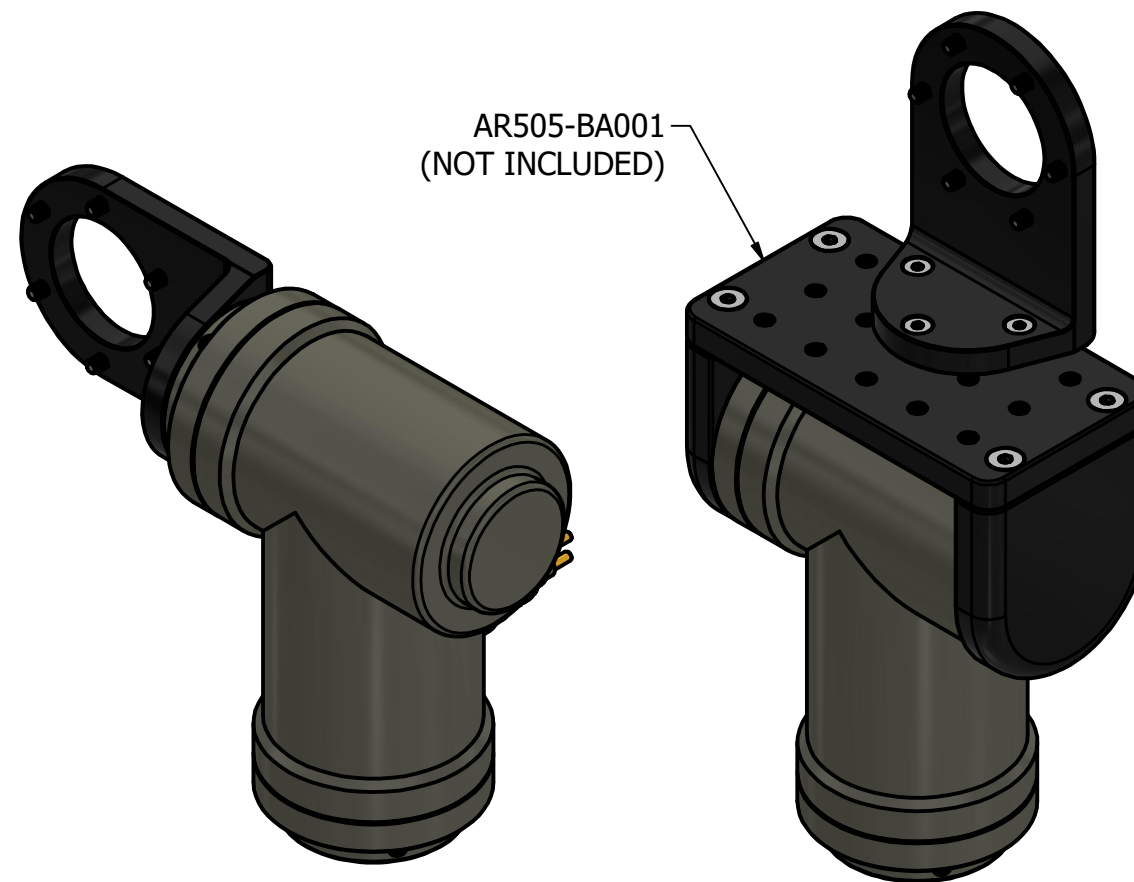
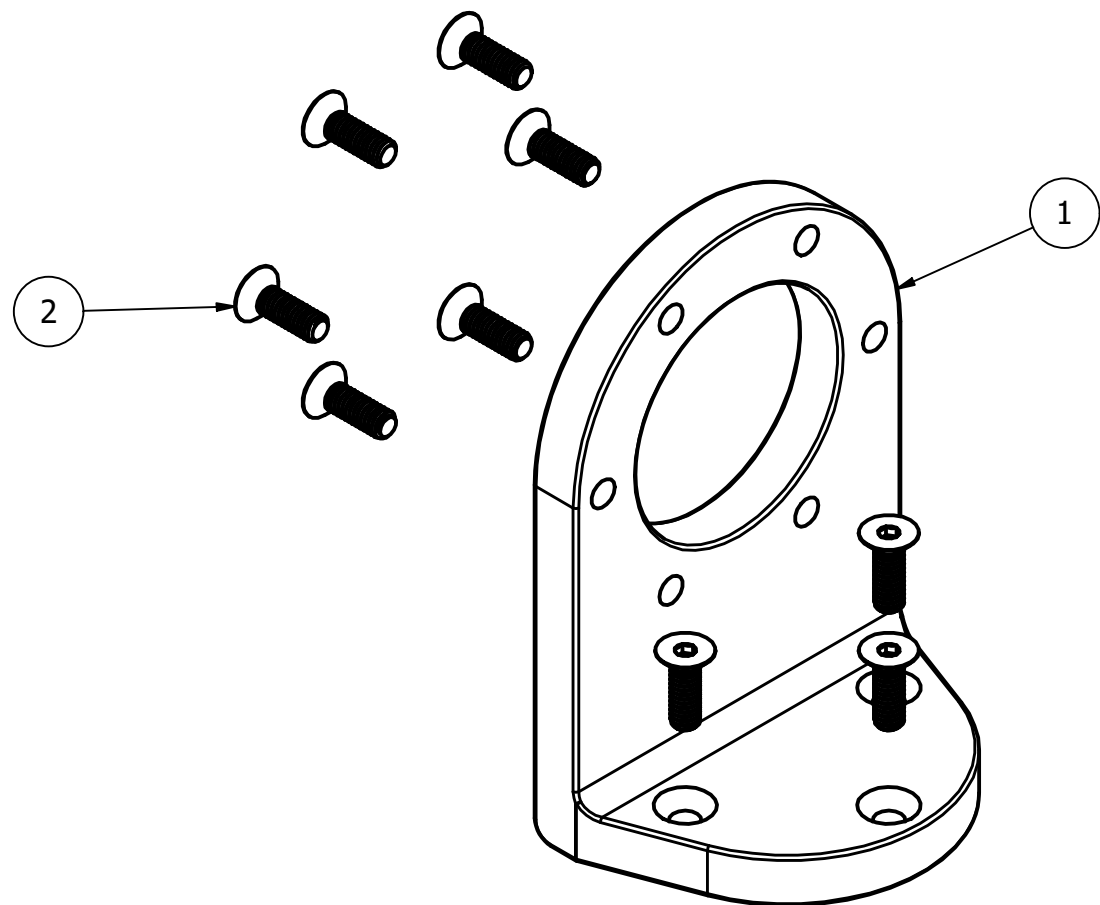
ITEM	QTY	PART NUMBER	DESCRIPTION
1	2	AR505-024	90mm_Side Mount
2	6	94241A520	M4 Split Washer_Socket Head_316 SS
3	6	92290A176	M4 x 25mm_Socket Head Screw_316 SS

SIZE	DRAWING No.	REV
<b>B</b>	<b>AR505-BA***</b>	<b>A</b>
SCALE NTS	SHEET 19 OF 21	

FOR TOP MOUNTING COMBINE WITH ANOTHER ASSEMBLY  
SUCH AS AR505-BA001 SHOWN ON FAR RIGHT

**AR505-BA019 DRAGONFISH MINI**  
(ACETAL RESIN, BLACK)

- COMPATIBLE WITH:
- HAMMERHEAD (ALL MODELS)
  - DRAGONFISH MINI
  - DRAGONFISH AIR



PARTS LIST

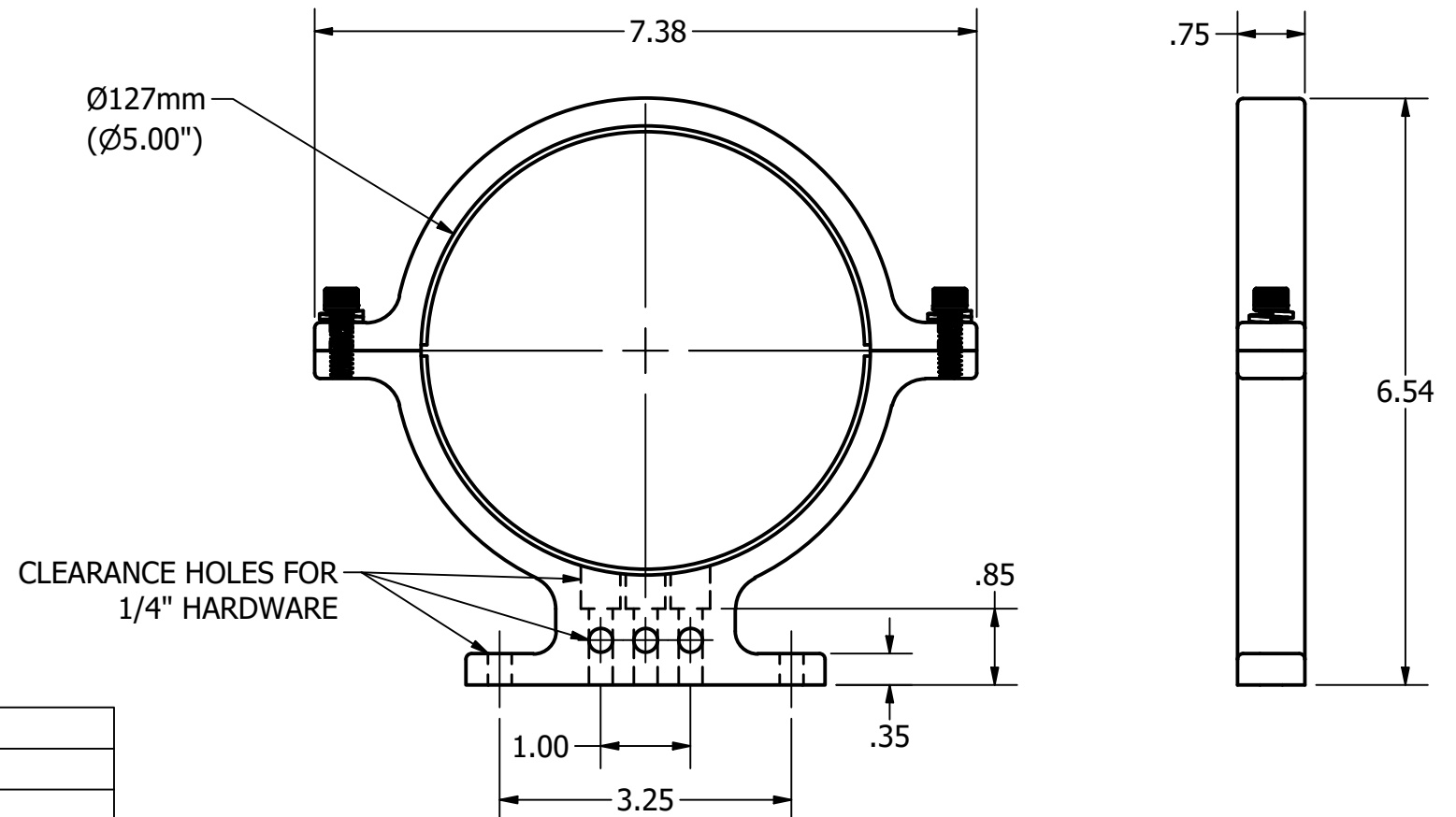
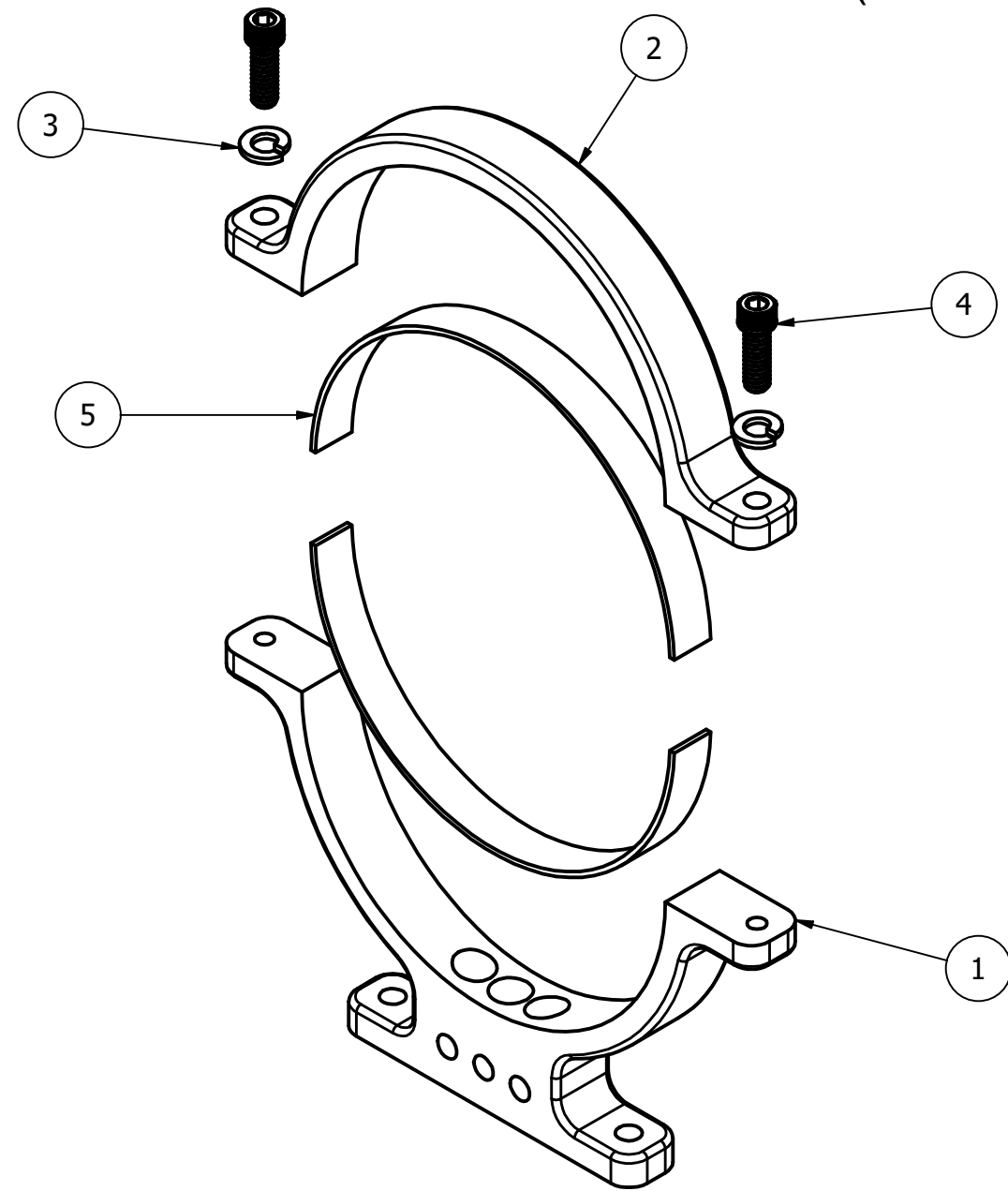
ITEM	QTY	PART NUMBER	DESCRIPTION
1	1	AR505-020	DragonFish Mini
2	9	93395A257	M4 x 12mm_Hex Drive Flat Head Screw_316 SS

SIZE	DRAWING No.	REV
<b>B</b>	<b>AR505-BA***</b>	<b>A</b>
SCALE	NTS	SHEET 20 OF 21



COMPATIBLE WITH:  
- ALPHEUS

**AR505-BA020 5" BRACKET**  
(ALUMINIUM, BLACK ANODIZED)



PARTS LIST

ITEM	QTY	PART NUMBER	DESCRIPTION
1	1	AR505-024	5" Bracket_A
2	1	AR505-025	5" Bracket_B
3	2	92147A029	1/4" Split Washer_316 SS
4	2	92185A540	1/4-20 x 3/4 Socket Head Cap Screw_316 SS
5	2		Rubber strip

SIZE	DRAWING No.	REV
<b>B</b>	<b>AR505-BA***</b>	<b>A</b>
SCALE NTS	SHEET 21 OF 21	