


NOTES:
 1. ASSEMBLIES ARE PROVIDED WITH HARDWARE SHOWN IN PARTS LIST

| GENERAL NOTES | | |
|---|-----------|---------|
| REMOVE ALL BURRS AND BREAK ALL SHARP EDGES. | | |
| ALL MACHINED SURFACES TO BE FINISH UNLESS OTHERWISE NOTED. DIMENSIONS IN INCHES UNLESS OTHERWISE NOTED. | | |
| TOLERANCES | | |
| DECIMALS | FRACTIONS | ANGULAR |
| .x ± .020 | ± 1/32 | x' ± 3' |
| .xx ± .010 | | |
| .xxx ± .005 | | |

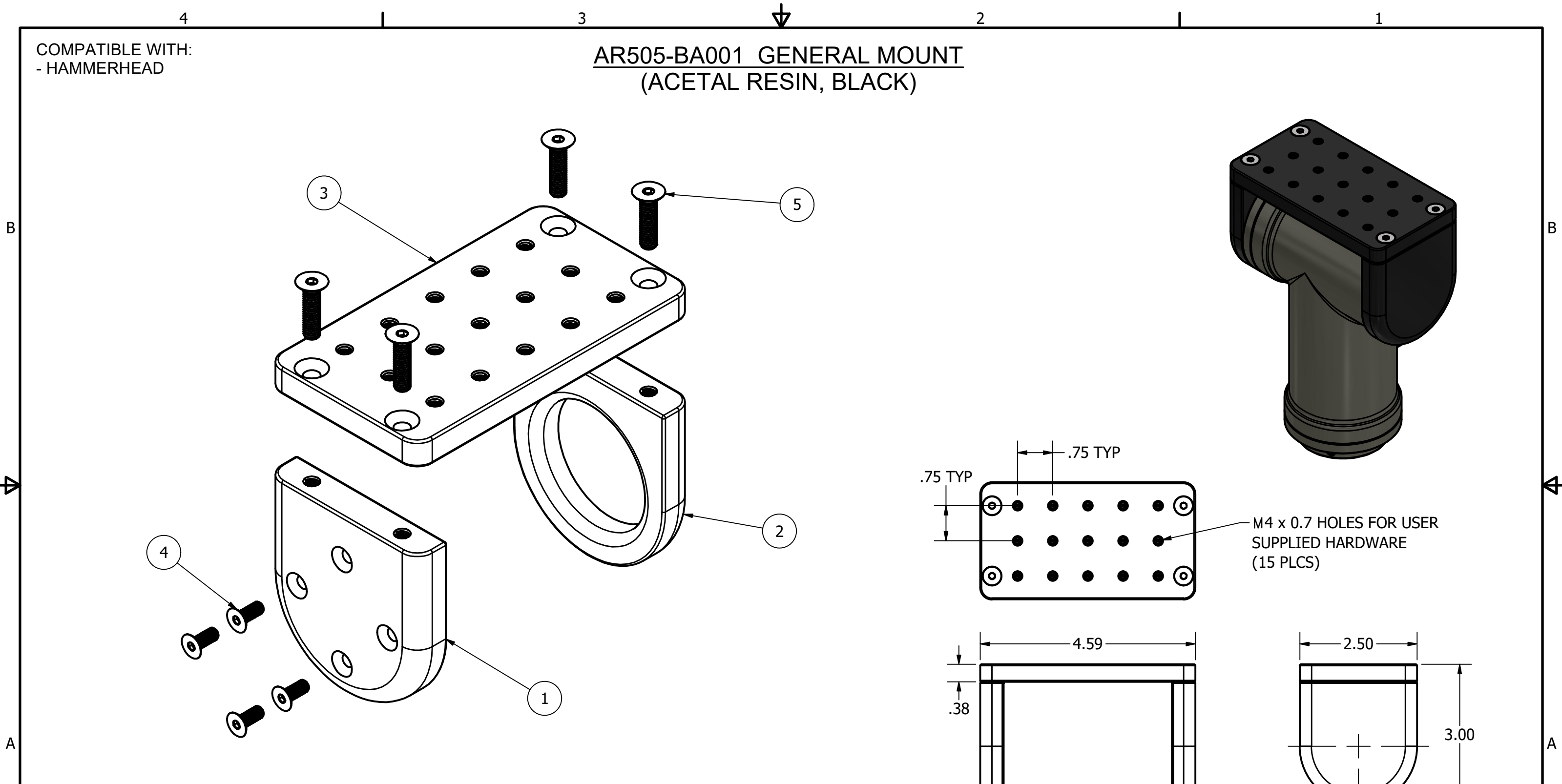
| | | | |
|--|--------------------|-------|---|
| ARCTIC RAYS, LLC 600 JACKSON COURT SATELLITE BEACH, FL. 32937 USA | | |  |
| PROJECT Arctic Rays Bracket Assemblies | | | |
| TITLE Bracket Assemblies | | | |
| SIZE | DRAWING No. | | REV |
| B | AR505-BA*** | | B |
| SCALE | NTS | SHEET | 1 OF 29 |

REVISION HISTORY

| REV | DESCRIPTION | DATE | AUTHOR |
|-----|---|------------|----------|
| B | Changed name AR505-BA009,-010,-011,-012,-021 | 04-02-2024 | MITCHELL |
| A | Modified -BA001,-BA002,-BA003,-BA004,-BA005,-BA006,-BA009,-BA010,-BA014,-BA015,-BA020. Added -BA021, -BA022,-BA023,-BA024,-BA025,-BA026,-BA027 | 02-15-2024 | MITCHELL |
| 0 | Initial issue | 04-14-2023 | MITCHELL |

COMPATIBLE WITH:
- HAMMERHEAD

AR505-BA001 GENERAL MOUNT
(ACETAL RESIN, BLACK)



PARTS LIST

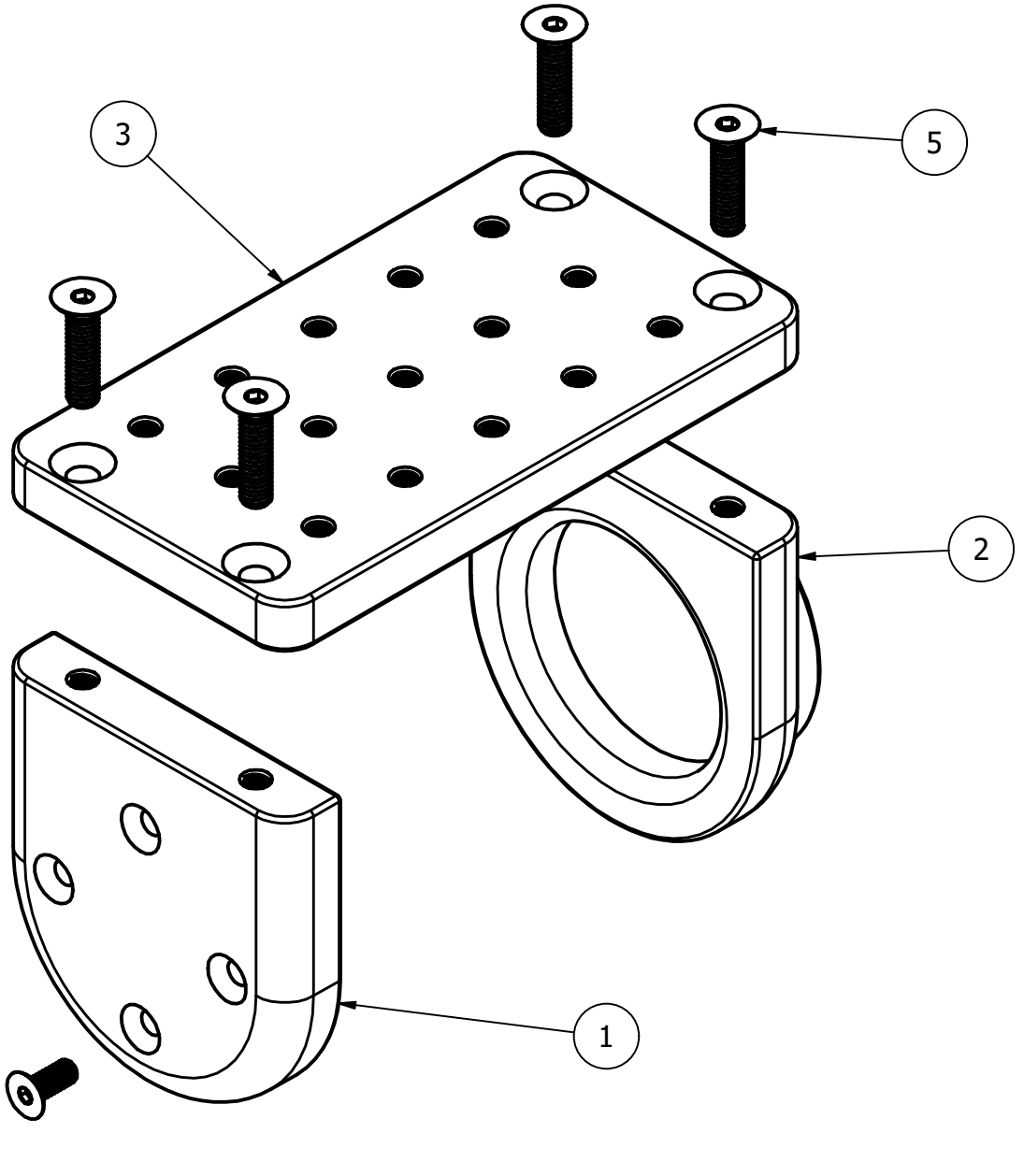
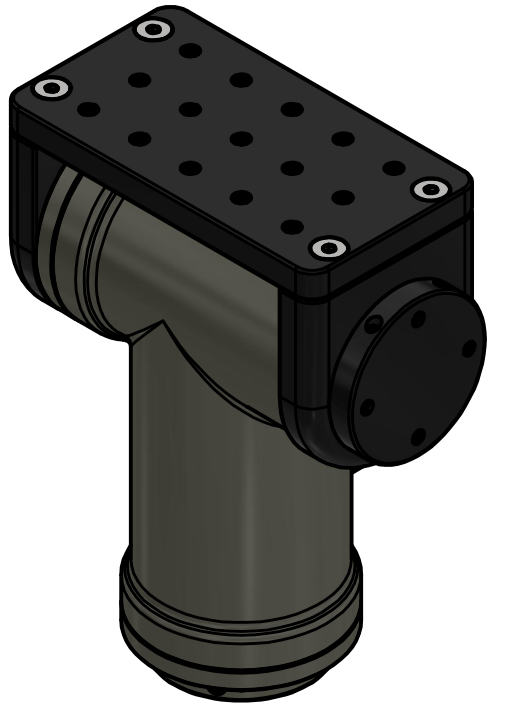
| ITEM | QTY | PART NUMBER | DESCRIPTION |
|------|-----|--------------------|---------------------------|
| 1 | 1 | AR505-002 | TILT ADAPTOR |
| 2 | 1 | AR505-003 | TILT BUSHING |
| 3 | 1 | AR505-005 | TILT PLATE |
| 4 | 4 | McMaster 93395A254 | M4 x 10mm_Flat Head Screw |
| 5 | 4 | McMaster 93395A310 | M5 x 20mm_Flat Head Screw |

| | | |
|----------|--------------------|---------------|
| SIZE | DRAWING No. | REV |
| B | AR505-BA*** | B |
| SCALE | NTS | SHEET 2 OF 29 |

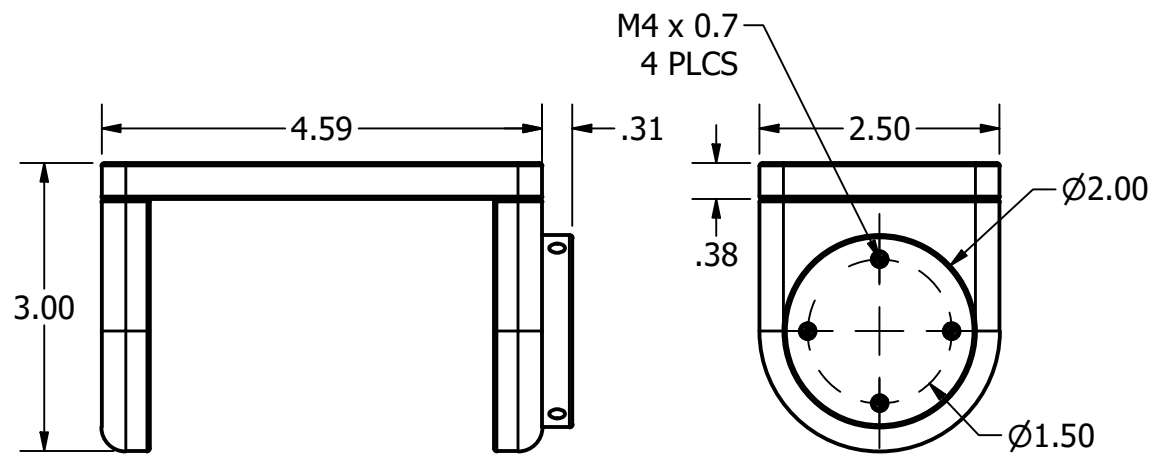
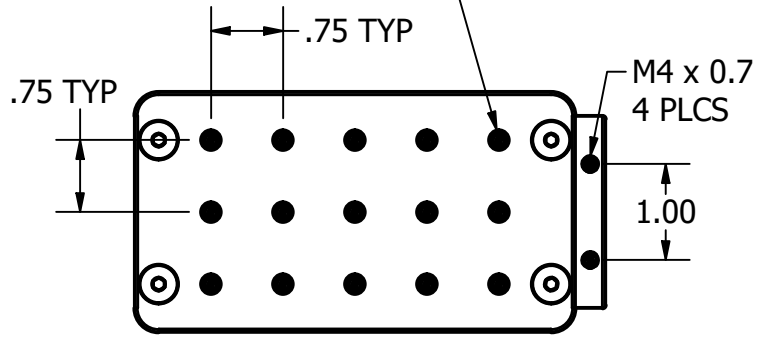
INVERSE OPTION FEATURES A MODIFIED CHEEK PLATE TO ALLOW:
 - SIDE MOUNTING ON OPPOSITE SIDE
 - SIMULTANEOUS SIDE & TOP MOUNTING

COMPATIBLE WITH:
 - HAMMERHEAD

AR505-BA002 GENERAL MOUNT, INVERSE (ACETAL RESIN, BLACK)



M4 x 0.7 HOLES FOR USER SUPPLIED HARDWARE (15 PLCS)



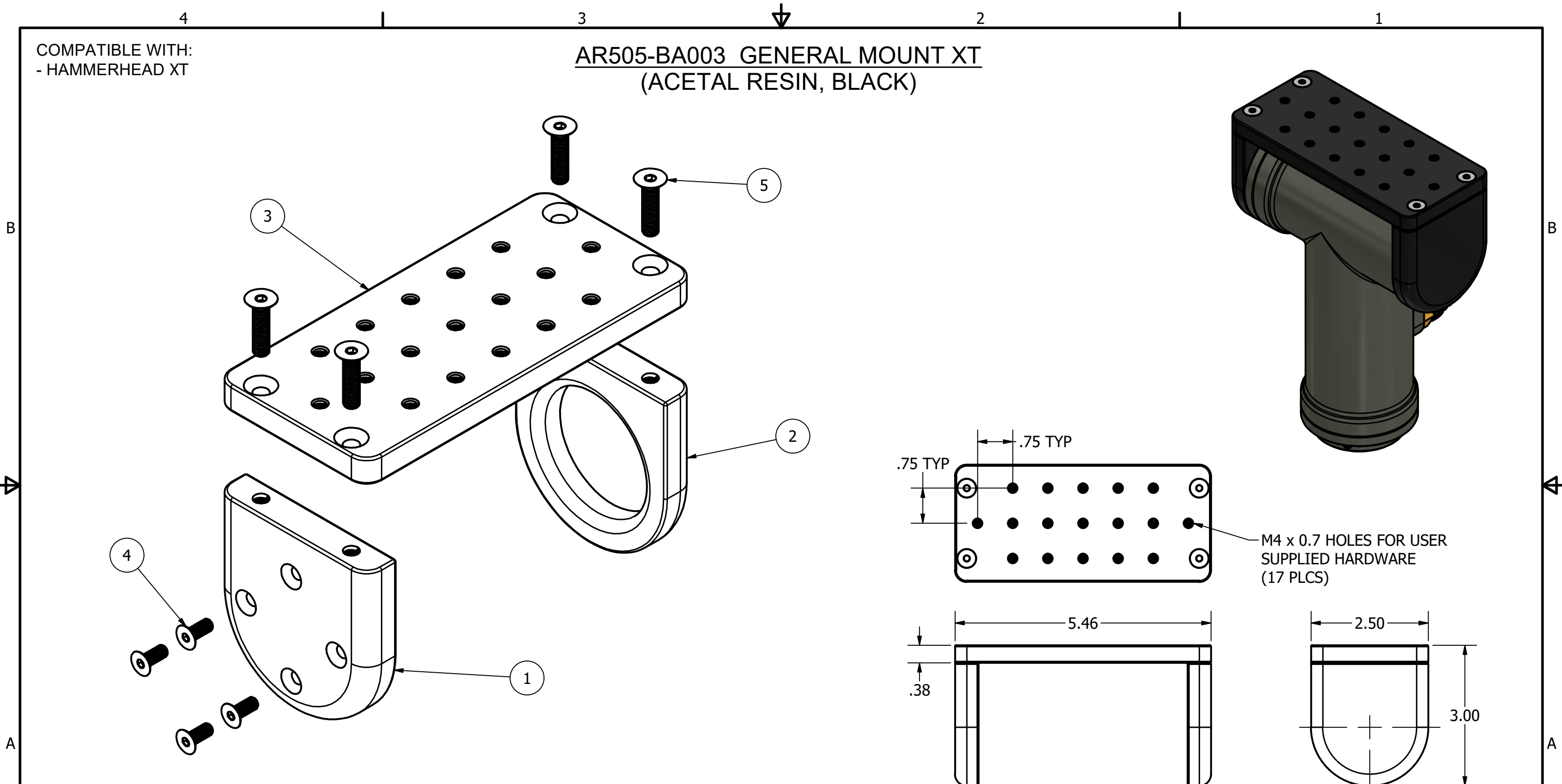
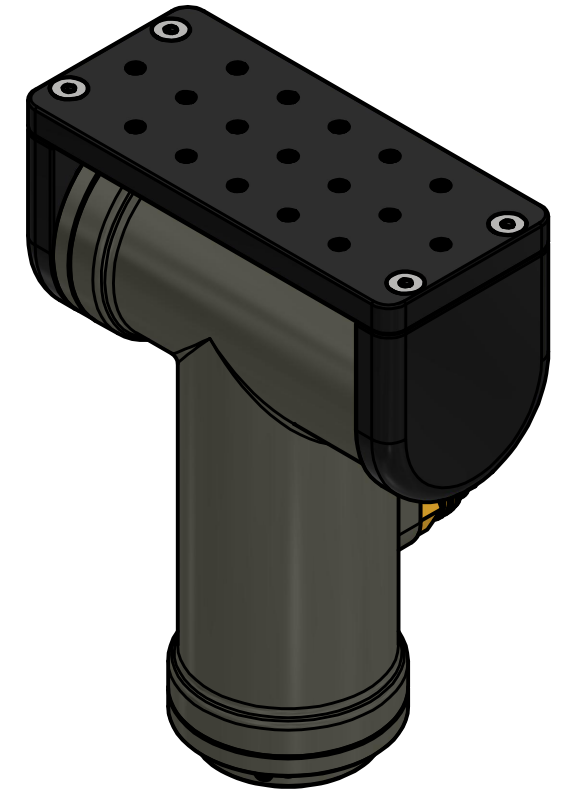
PARTS LIST

| ITEM | QTY | PART NUMBER | DESCRIPTION |
|------|-----|--------------------|---------------------------|
| 1 | 1 | AR505-002 | TILT ADAPTOR |
| 2 | 1 | AR505-004 | TILT BUSHING_INVERSE |
| 3 | 1 | AR505-005 | TILT PLATE |
| 4 | 4 | McMaster 93395A254 | M4 x 10mm_Flat Head Screw |
| 5 | 4 | McMaster 93395A310 | M5 x 20mm_Flat Head Screw |

| | | |
|----------|--------------------|---------------|
| SIZE | DRAWING No. | REV |
| B | AR505-BA*** | B |
| SCALE | NTS | SHEET 3 OF 29 |

COMPATIBLE WITH:
- HAMMERHEAD XT

AR505-BA003 GENERAL MOUNT XT
(ACETAL RESIN, BLACK)



PARTS LIST

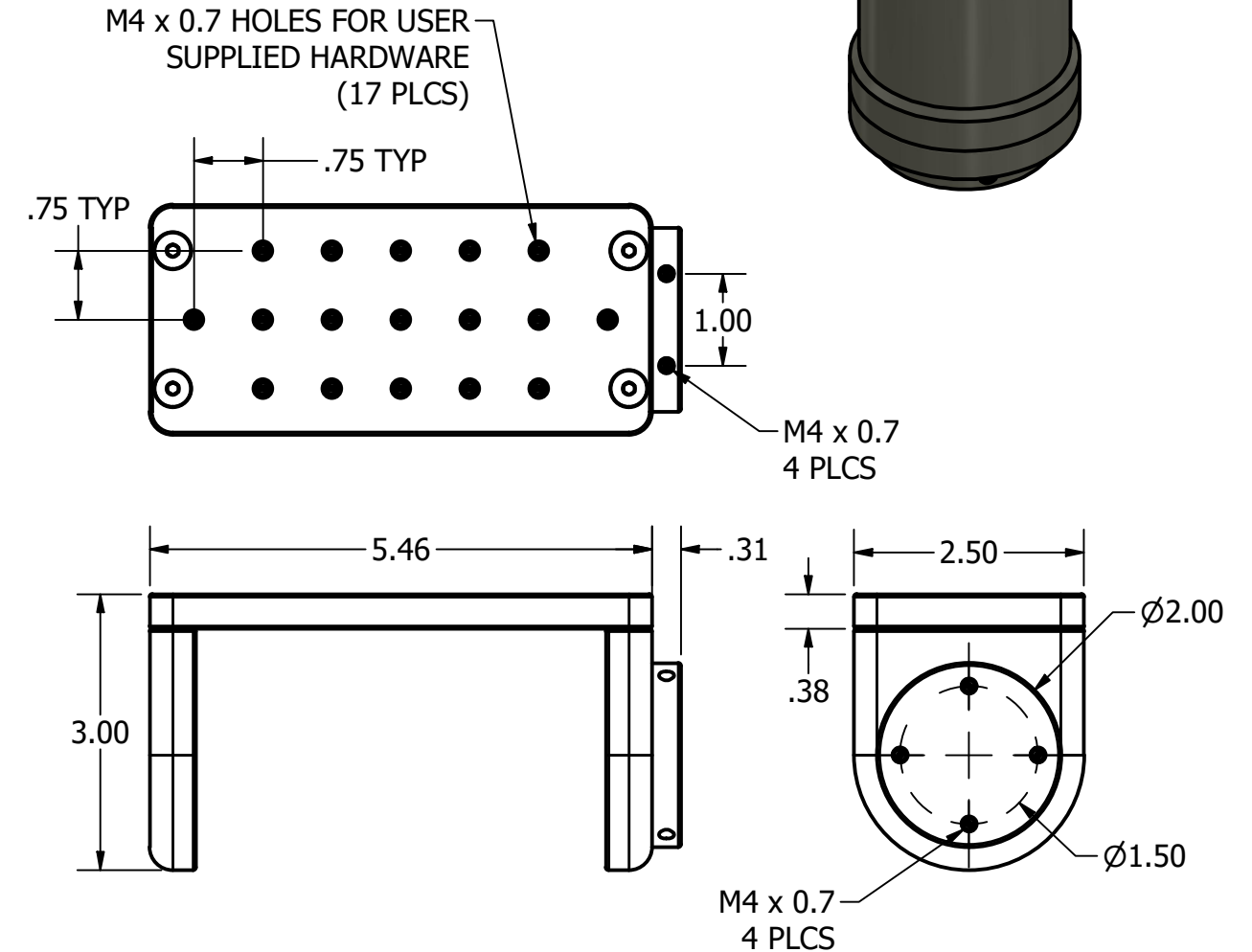
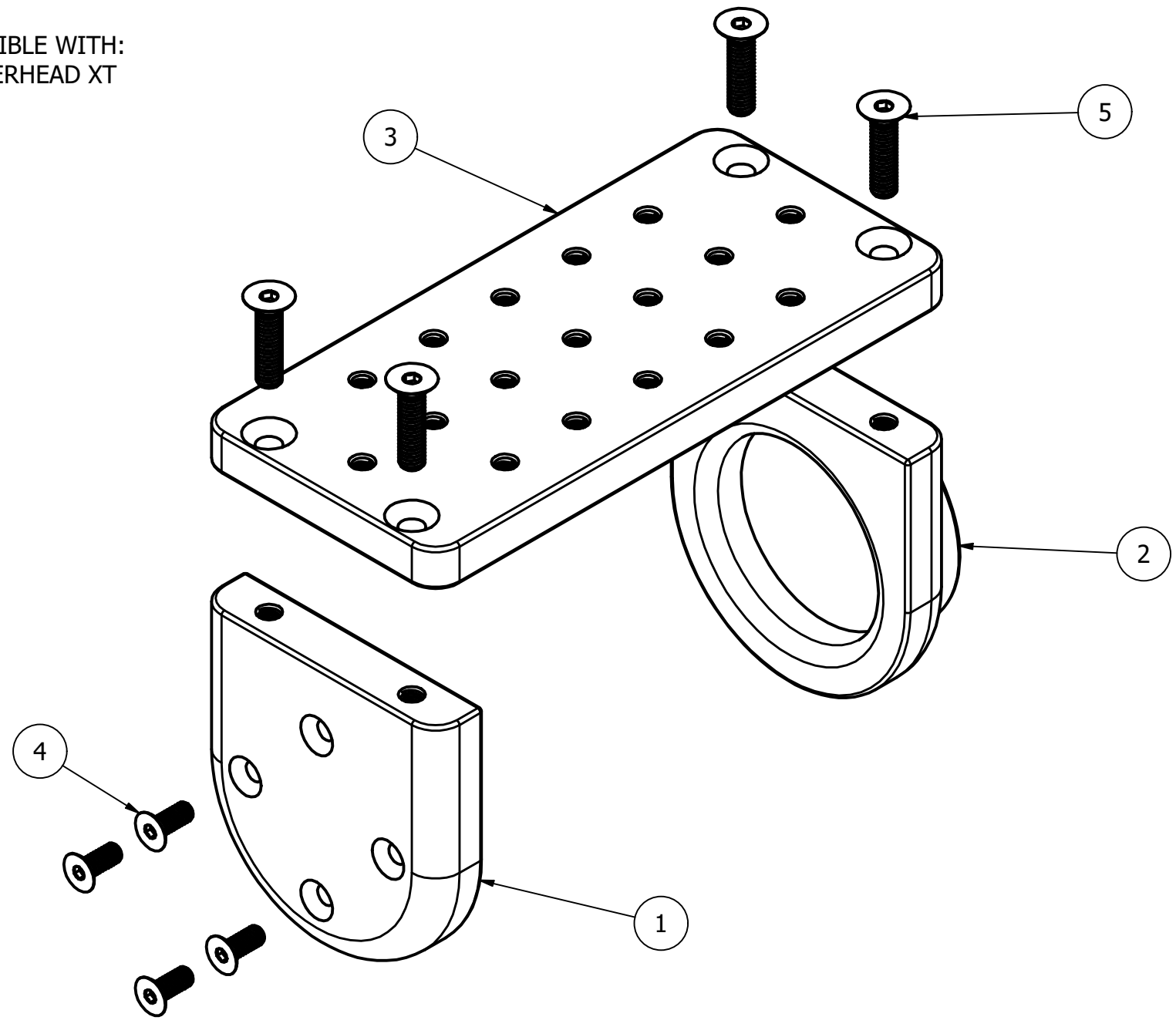
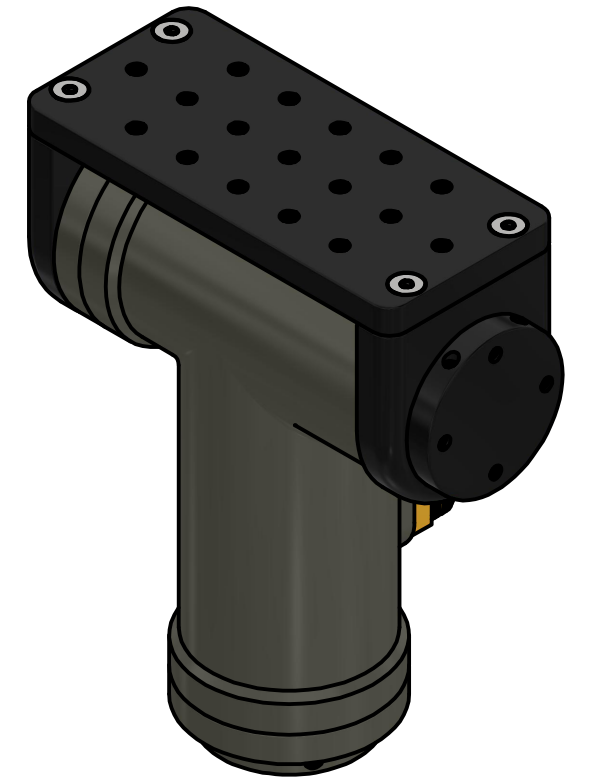
| ITEM | QTY | PART NUMBER | DESCRIPTION |
|------|-----|--------------------|---------------------------|
| 1 | 1 | AR505-002 | TILT ADAPTOR |
| 2 | 1 | AR505-003 | TILT BUSHING |
| 3 | 1 | AR505-006 | TILT PLATE_XT |
| 4 | 4 | McMaster 93395A254 | M4 x 10mm_Flat Head Screw |
| 5 | 4 | McMaster 93395A310 | M5 x 20mm_Flat Head Screw |

| | | |
|----------|--------------------|---------------|
| SIZE | DRAWING No. | REV |
| B | AR505-BA*** | B |
| SCALE | NTS | SHEET 4 OF 29 |

INVERSE OPTION FEATURES A MODIFIED CHEEK PLATE TO ALLOW:
 - SIDE MOUNTING ON OPPOSITE SIDE
 - SIMULTANEOUS SIDE & TOP MOUNTING

COMPATIBLE WITH:
 - HAMMERHEAD XT

AR505-BA004 GENERAL MOUNT XT, INVERSE (ACETAL RESIN, BLACK)



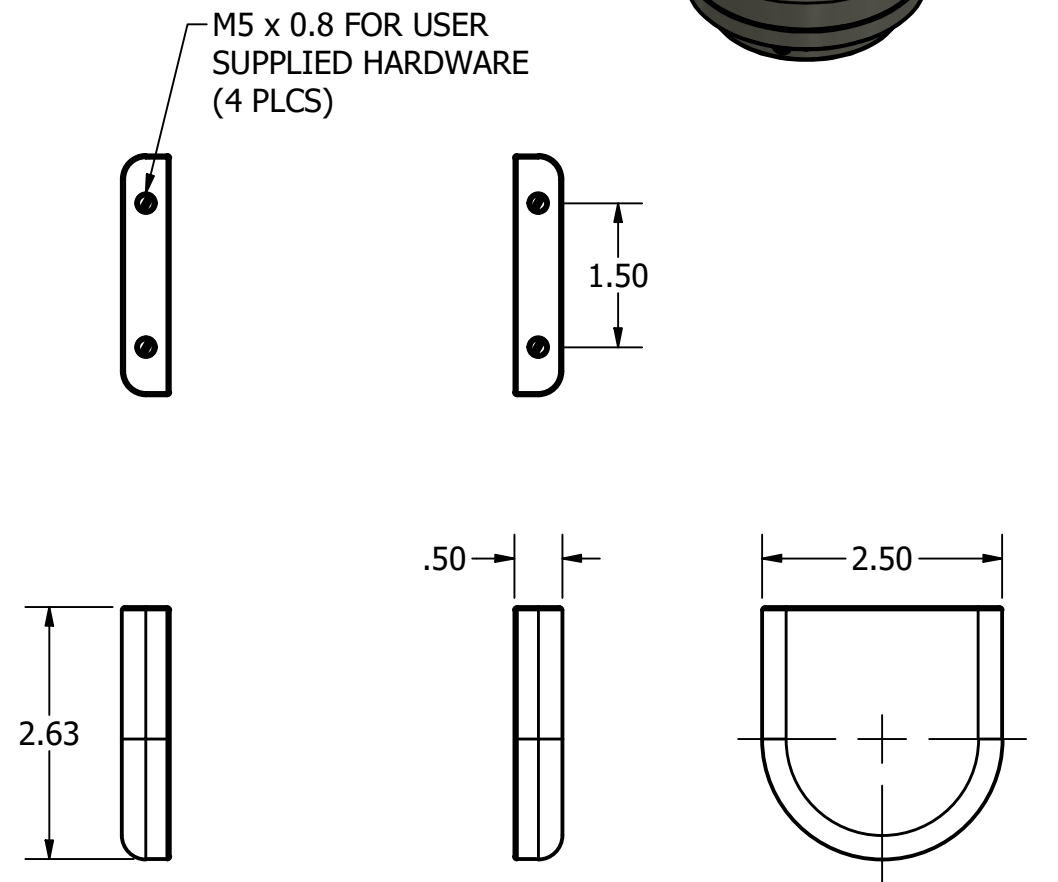
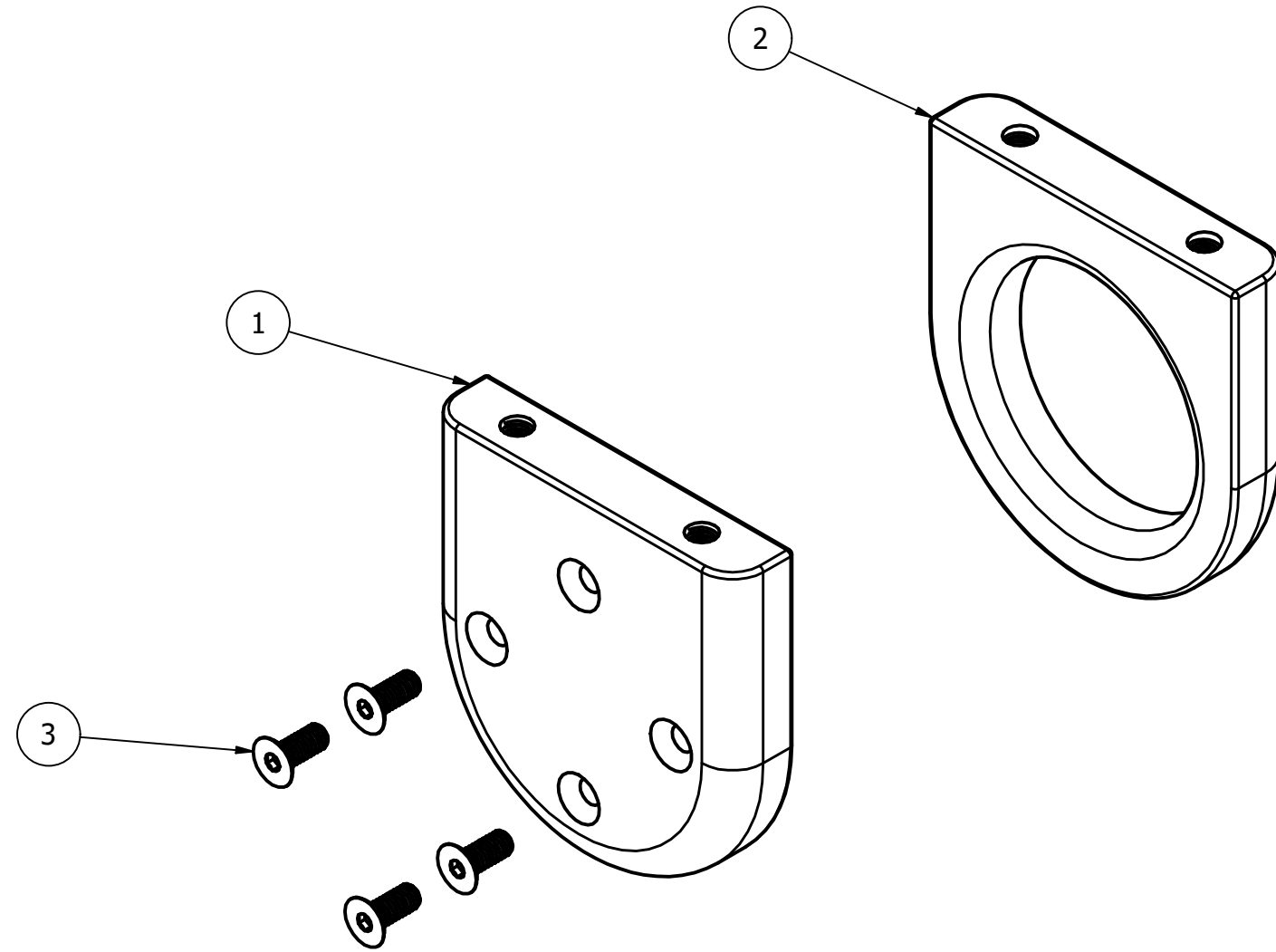
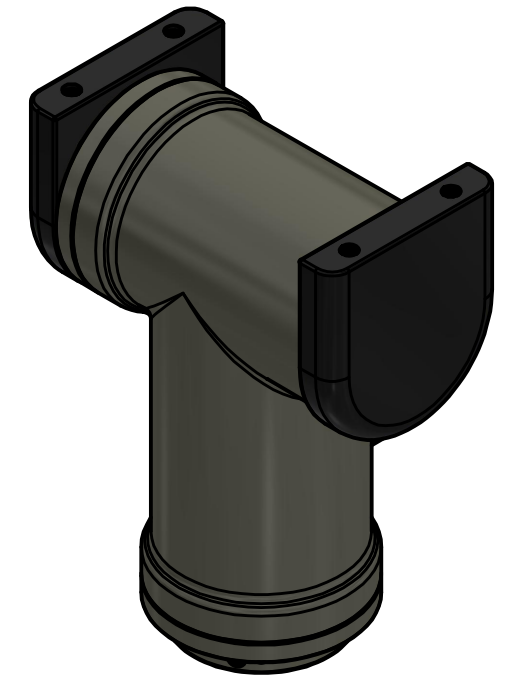
PARTS LIST

| ITEM | QTY | PART NUMBER | DESCRIPTION |
|------|-----|--------------------|---------------------------|
| 1 | 1 | AR505-002 | TILT ADAPTOR |
| 2 | 1 | AR505-004 | TILT BUSHING_INVERSE |
| 3 | 1 | AR505-006 | TILT PLATE_XT |
| 4 | 4 | McMaster 93395A254 | M4 x 10mm_Flat Head Screw |
| 5 | 4 | McMaster 93395A310 | M5 x 20mm_Flat Head Screw |

| | | |
|----------|--------------------|---------------|
| SIZE | DRAWING No. | REV |
| B | AR505-BA*** | B |
| SCALE | NTS | SHEET 5 OF 29 |

COMPATIBLE WITH:
 - HAMMERHEAD
 - HAMMERHEAD XT

AR505-BA005 CHEEK PLATES
 (ACETAL RESIN, BLACK)



PARTS LIST

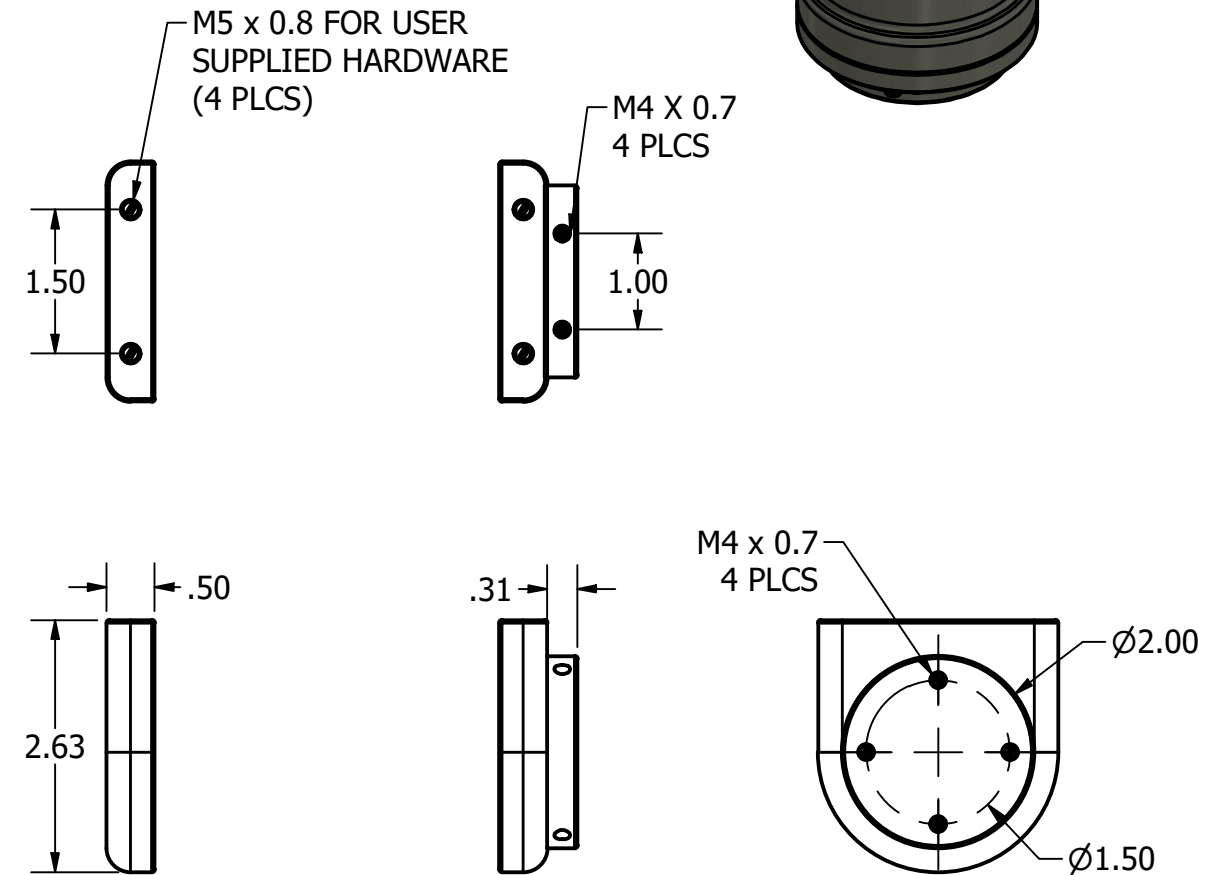
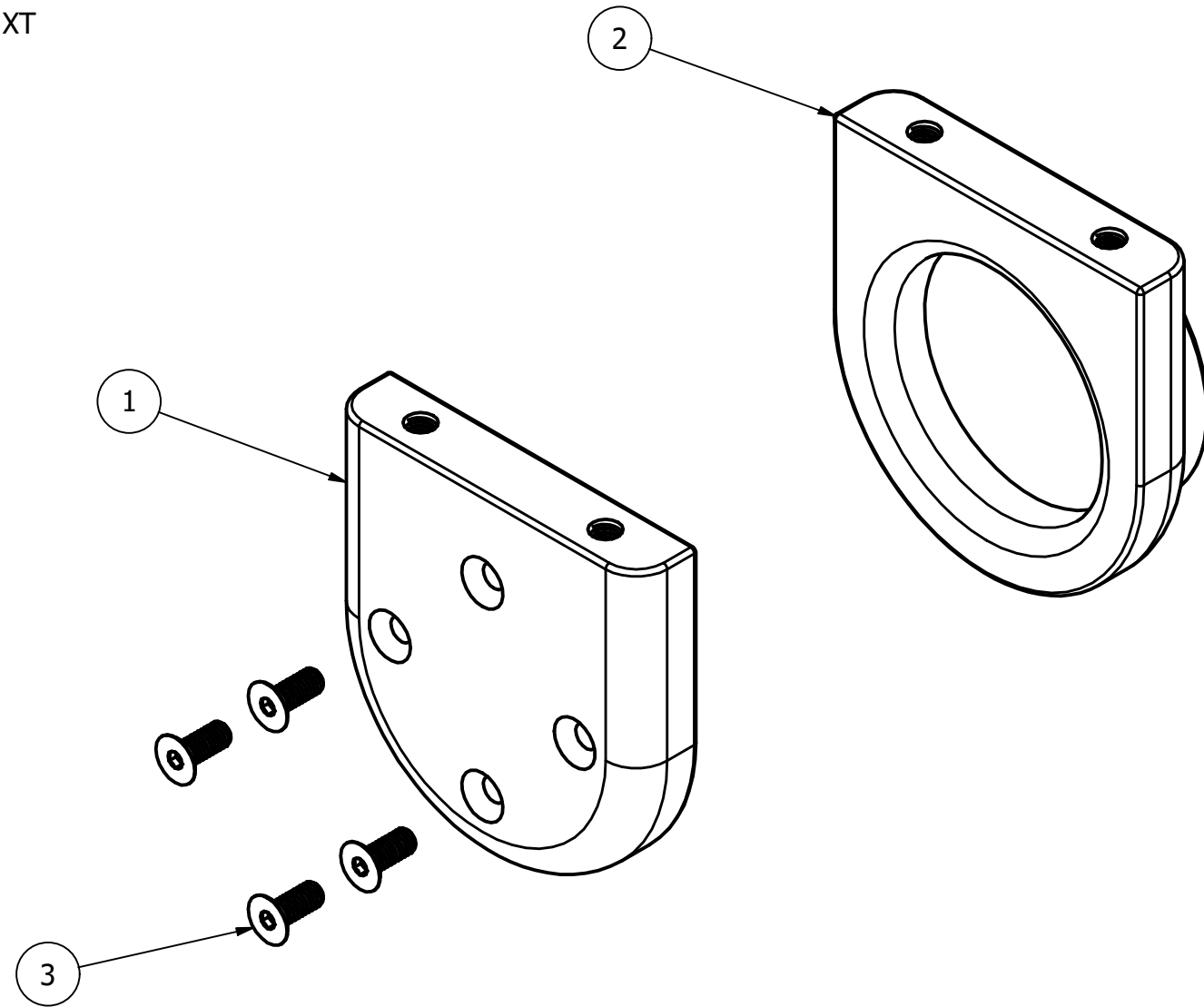
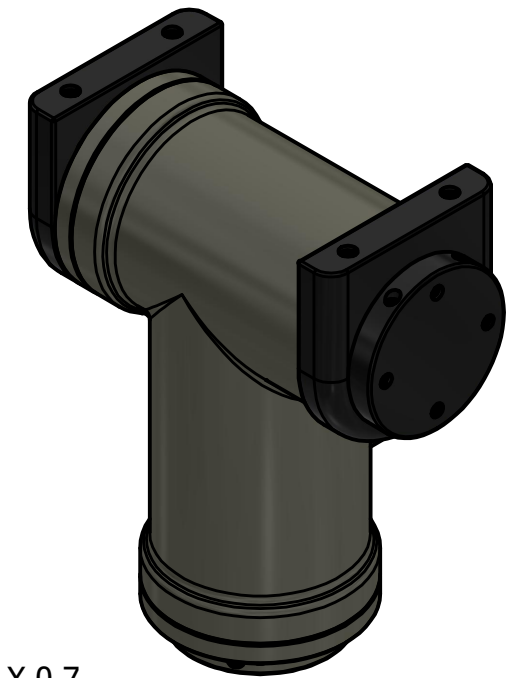
| ITEM | QTY | PART NUMBER | DESCRIPTION |
|------|-----|--------------------|---------------------------|
| 1 | 1 | AR505-002 | TILT ADAPTOR |
| 2 | 1 | AR505-003 | TILT BUSHING |
| 3 | 4 | McMaster 93395A254 | M4 x 10mm_Flat Head Screw |

| | | |
|-----------|--------------------|----------|
| SIZE | DRAWING No. | REV |
| B | AR505-BA*** | B |
| SCALE NTS | SHEET 6 OF 29 | |

INVERSE OPTION FEATURES A MODIFIED CHEEK PLATE TO ALLOW:
 - SIDE MOUNTING ON OPPOSITE SIDE
 - SIMULTANEOUS SIDE & TOP MOUNTING

COMPATIBLE WITH:
 - HAMMERHEAD
 - HAMMERHEAD XT

AR505-BA006 CHEEK PLATES, INVERSE (ACETAL RESIN, BLACK)



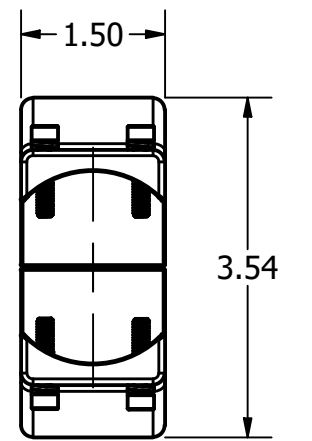
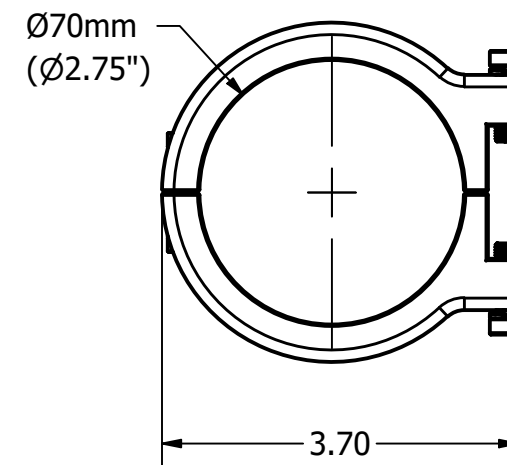
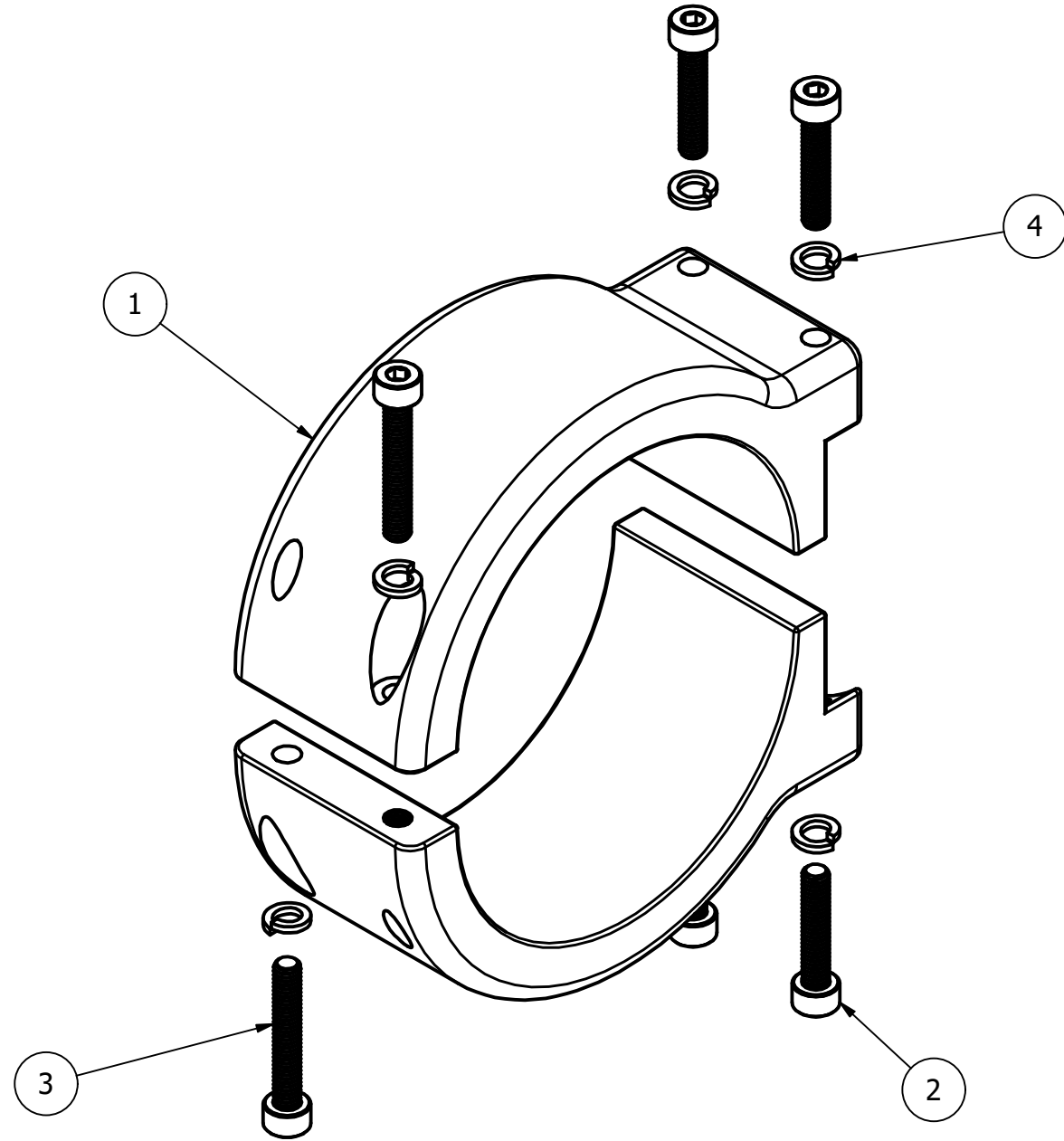
PARTS LIST

| ITEM | QTY | PART NUMBER | DESCRIPTION |
|------|-----|--------------------|---------------------------|
| 1 | 1 | AR505-002 | TILT ADAPTOR |
| 2 | 1 | AR505-004 | TILT BUSHING_INVERSE |
| 3 | 4 | McMaster 93395A254 | M4 x 10mm_Flat Head Screw |

| | | |
|----------|--------------------|---------------|
| SIZE | DRAWING No. | REV |
| B | AR505-BA*** | B |
| SCALE | NTS | SHEET 7 OF 29 |

COMPATIBLE WITH:
 - HAMMERHEAD (ALL MODELS)
 - DRAGONFISH
 - MAKO
 - VIPERFISH

AR505-BA007 70mm SIDE MOUNT
 (ACETAL RESIN, BLACK)



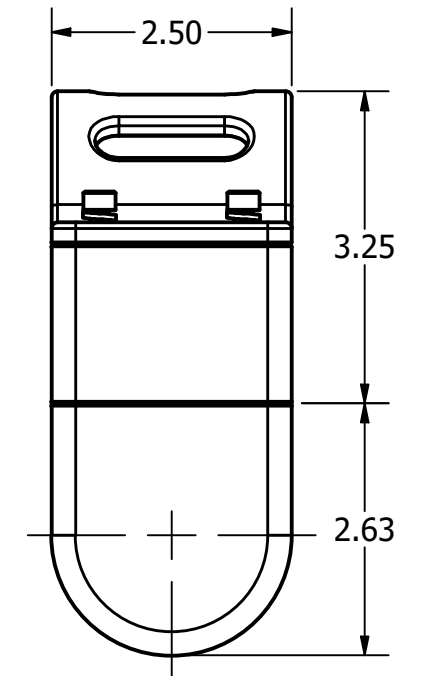
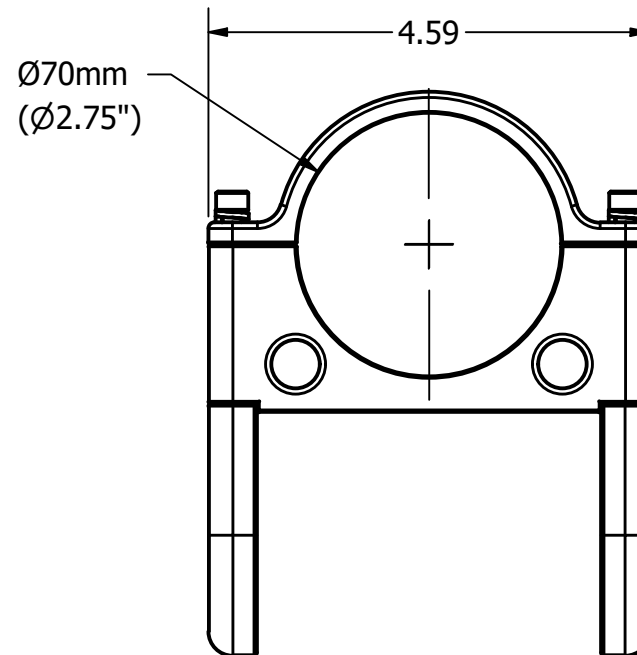
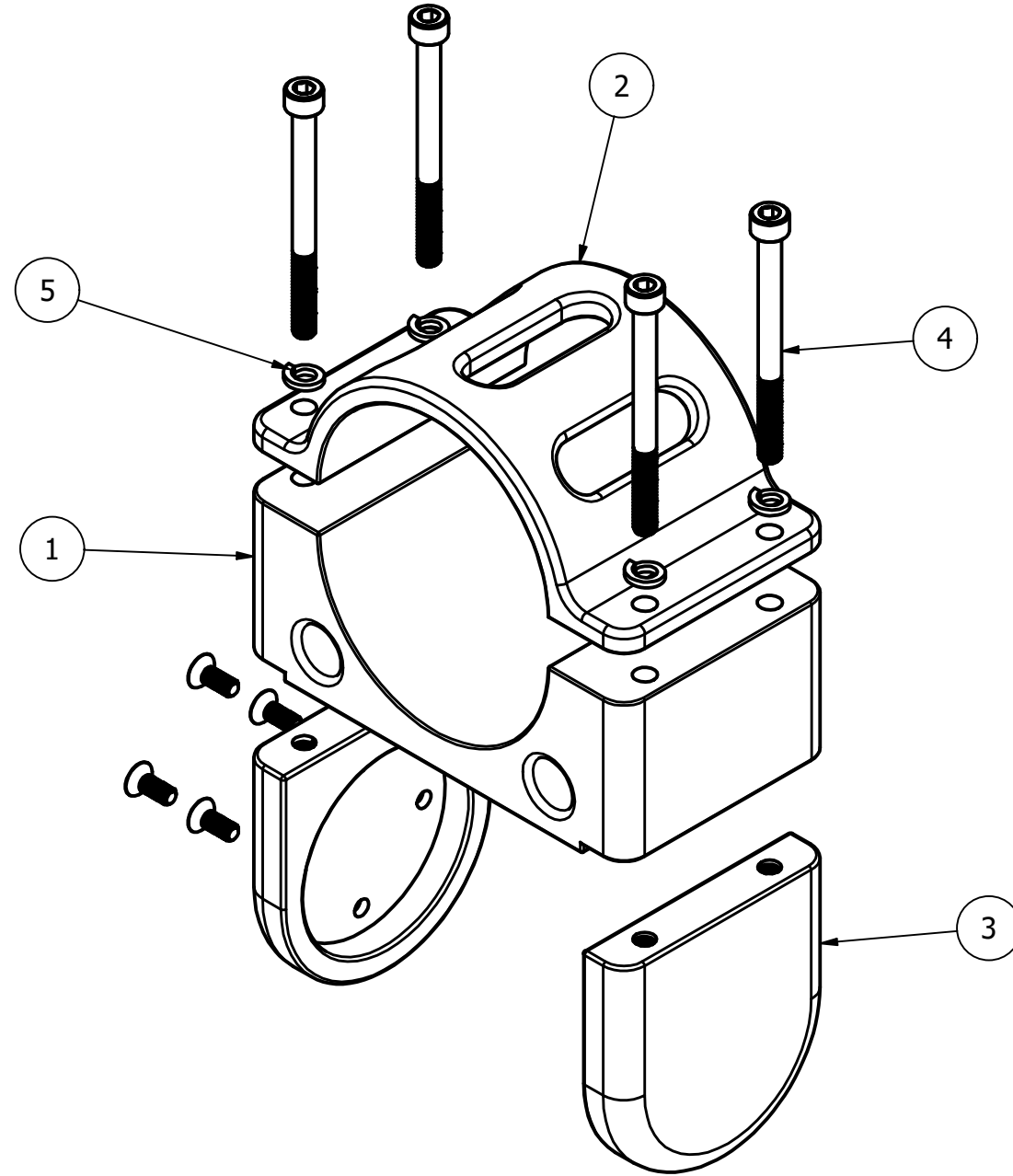
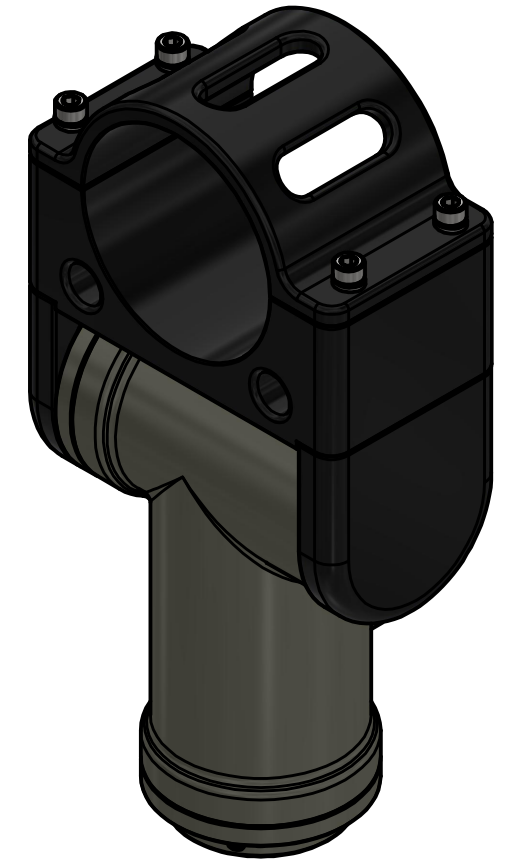
PARTS LIST

| ITEM | QTY | PART NUMBER | DESCRIPTION |
|------|-----|--------------------|-----------------------------|
| 1 | 2 | AR505-015 | 70mm_SIDE MOUNT |
| 2 | 4 | McMaster 92290A168 | M4 x 18mm_Socket Head Screw |
| 3 | 2 | McMaster 92290A176 | M4 x 25mm_Socket Head Screw |
| 4 | 6 | McMaster 94241A520 | M4_Split Washer_Socket Head |

| | | |
|-----------|--------------------|----------|
| SIZE | DRAWING No. | REV |
| B | AR505-BA*** | B |
| SCALE NTS | SHEET 8 OF 29 | |

COMPATIBLE WITH:
 - HAMMERHEAD
 - DRAGONFISH
 - MAKO
 - VIPERFISH

**AR505-BA008 70mm TOP MOUNT
 (ACETAL RESIN, BLACK)**



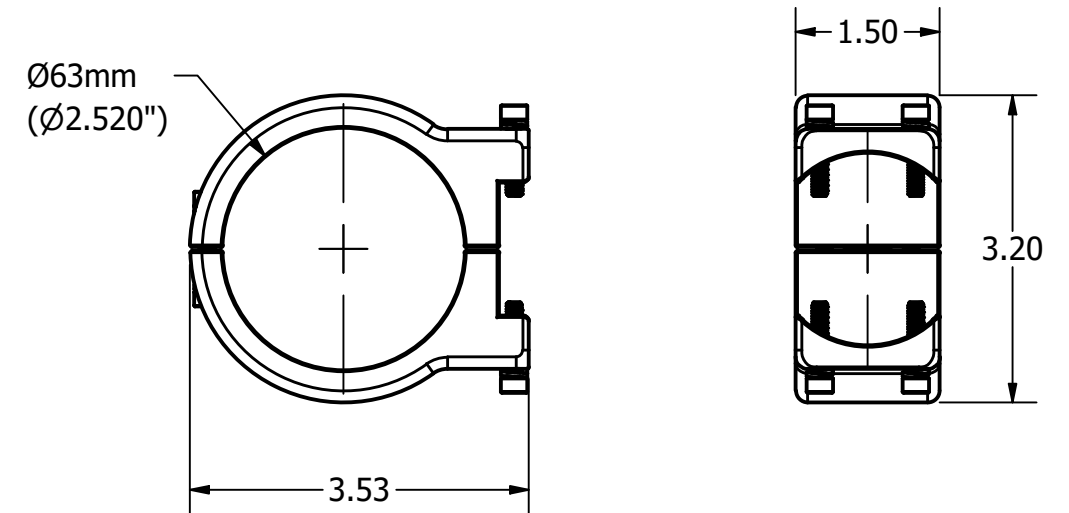
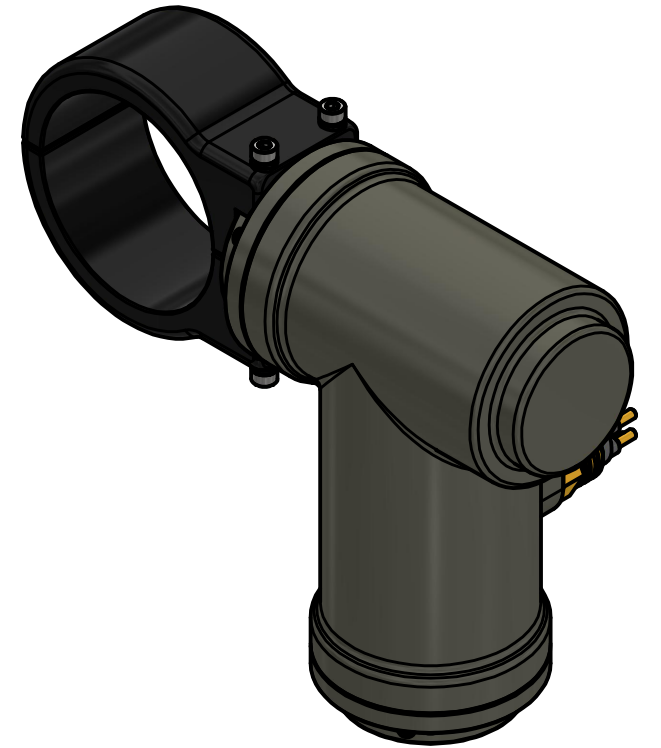
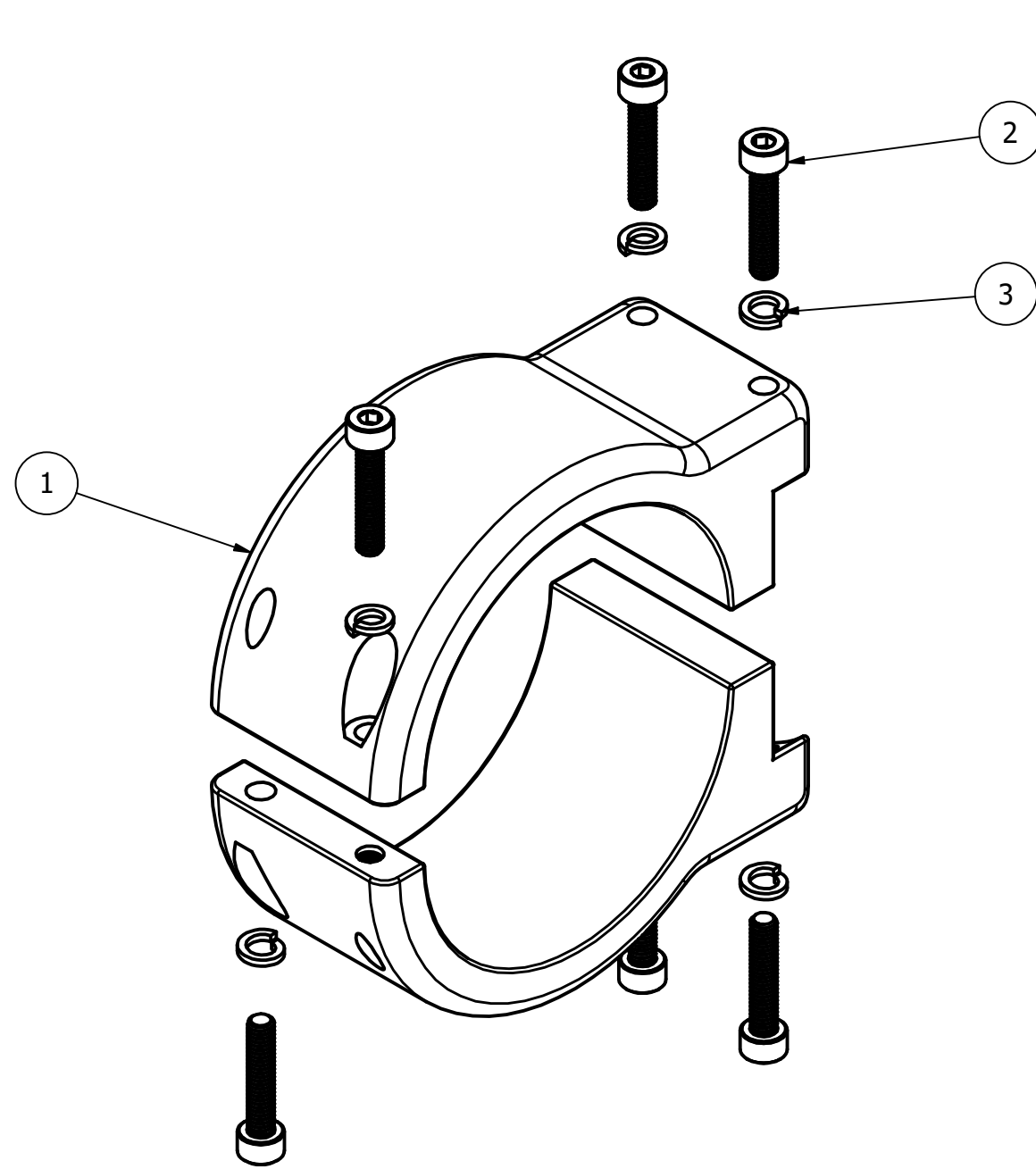
PARTS LIST

| ITEM | QTY | PART NUMBER | DESCRIPTION |
|------|-----|--------------------|-----------------------------|
| 1 | 1 | AR505-016 | 70mm_TOP MOUNT A |
| 2 | 1 | AR505-017 | 70mm_TOP MOUNT B |
| 3 | 1 | AR505-BA005 | CHEEK PLATES |
| 4 | 4 | McMaster 92290A270 | M5 x 60mm_Socket Head Screw |
| 5 | 4 | McMaster 94241A530 | M5_Split Washer_Socket Head |

| | | |
|----------|--------------------|---------------|
| SIZE | DRAWING No. | REV |
| B | AR505-BA*** | B |
| SCALE | NTS | SHEET 9 OF 29 |

COMPATIBLE WITH:
 - HAMMERHEAD (ALL MODELS)
 - THRESHER

AR505-BA009 64mm SIDE MOUNT
 (ACETAL RESIN, BLACK)



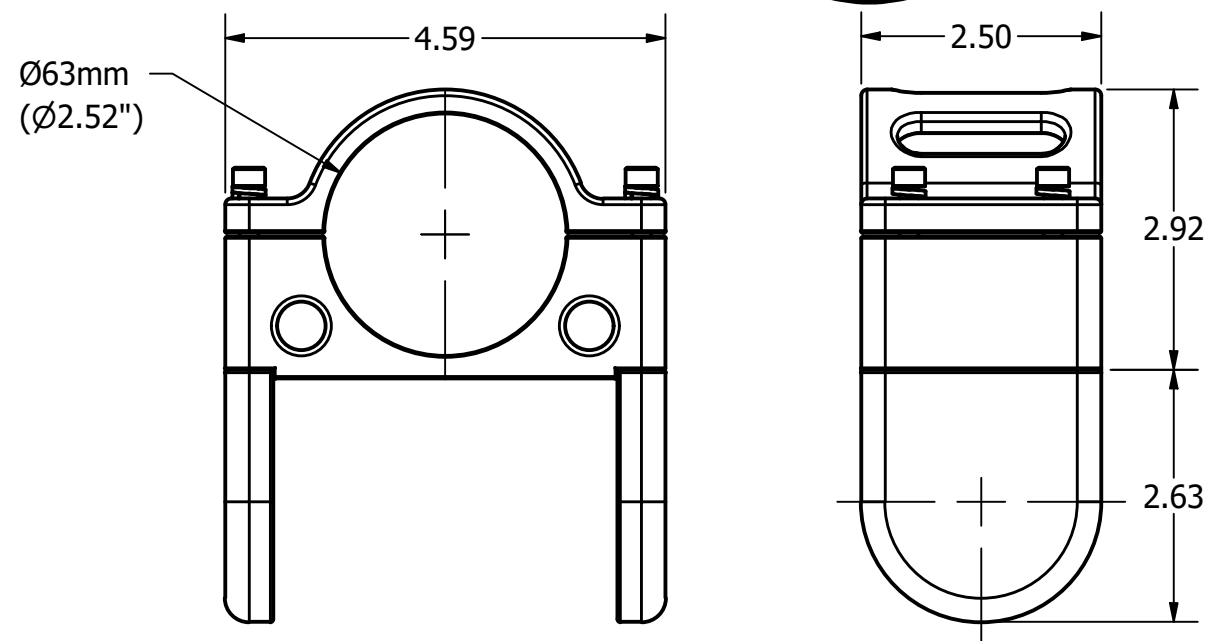
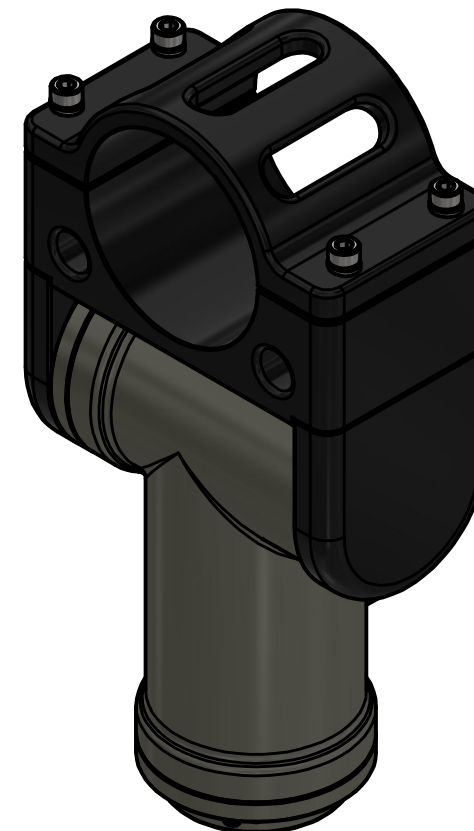
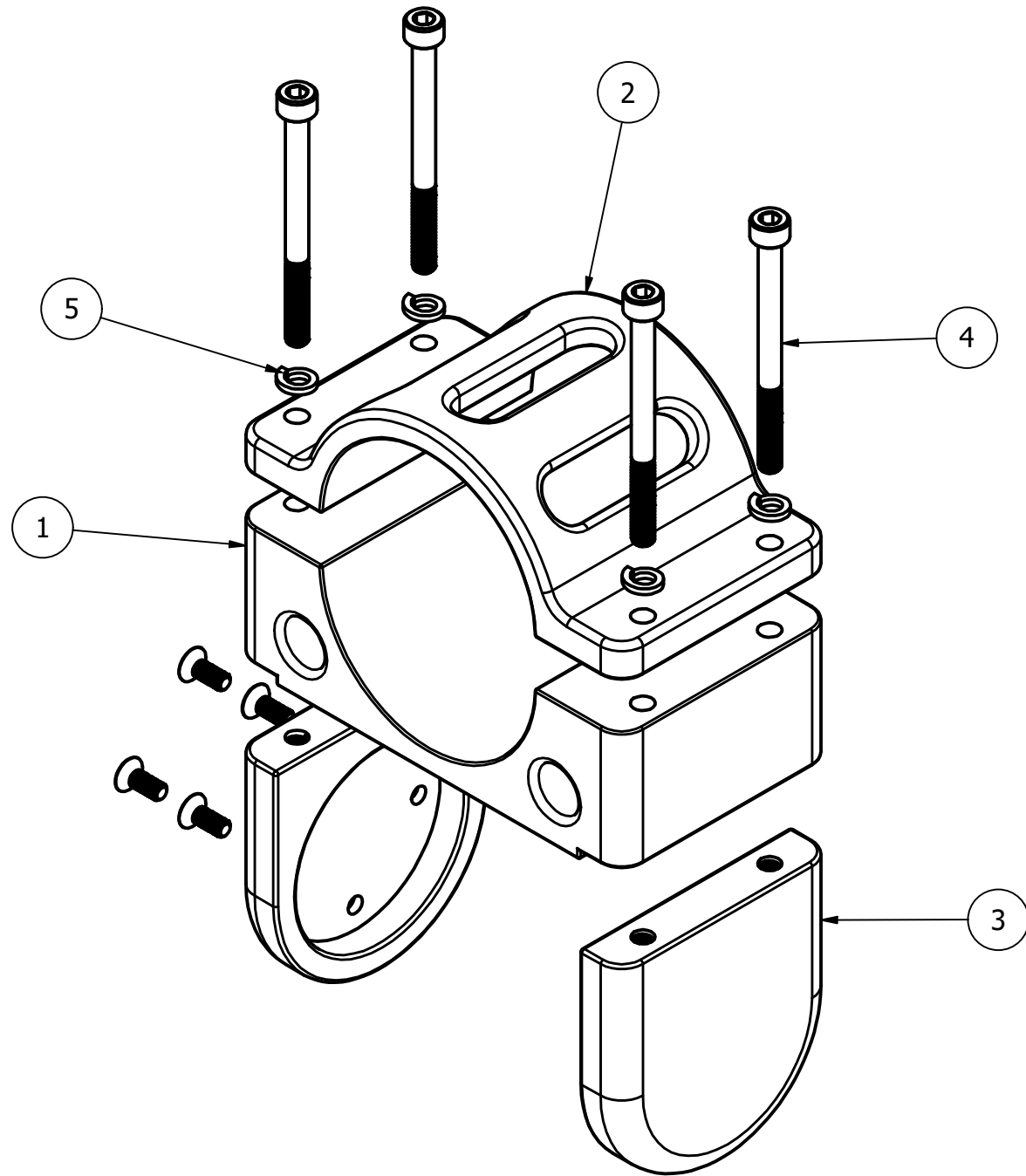
PARTS LIST

| ITEM | QTY | PART NUMBER | DESCRIPTION |
|------|-----|--------------------|-----------------------------|
| 1 | 2 | AR505-009 | 64mm_SIDE MOUNT |
| 2 | 6 | McMaster 92290A168 | M4 x 18mm_Socket Head Screw |
| 3 | 6 | McMaster 94241A520 | M4_Split Washer_Socket Head |

| | | |
|-----------|--------------------|----------|
| SIZE | DRAWING No. | REV |
| B | AR505-BA*** | B |
| SCALE NTS | SHEET 10 OF 29 | |

COMPATIBLE WITH:
 - HAMMERHEAD
 - THRESHER

**AR505-BA010 64mm TOP MOUNT
 (ACETAL RESIN, BLACK)**



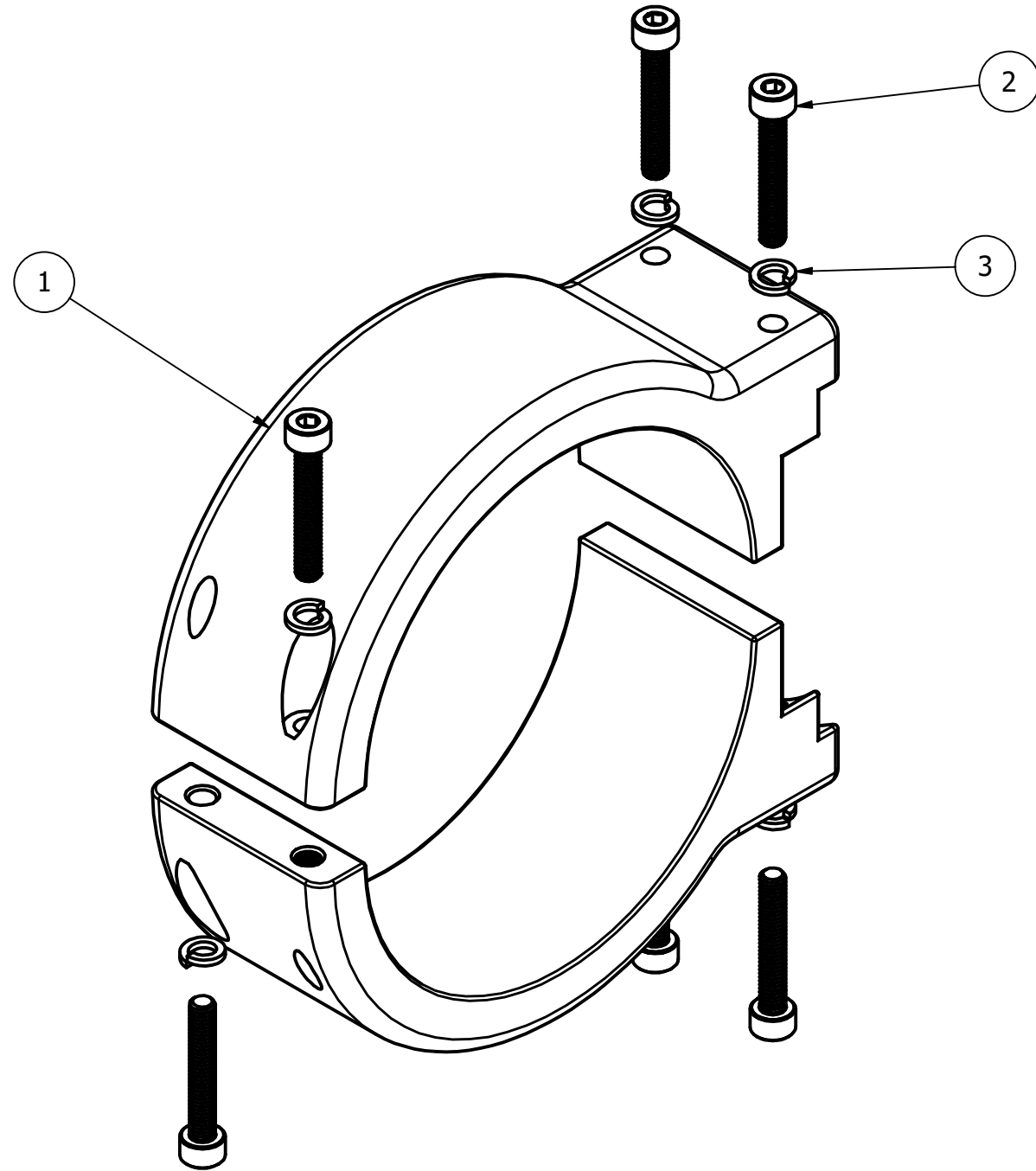
PARTS LIST

| ITEM | QTY | PART NUMBER | DESCRIPTION |
|------|-----|--------------------|-----------------------------|
| 1 | 1 | AR505-007 | 64mm_TOP MOUNT A |
| 2 | 1 | AR505-008 | 64mm_TOP MOUNT B |
| 3 | 1 | AR505-BA005 | CHEEK PLATES |
| 4 | 4 | McMaster 92290A270 | M5 x 60mm_Socket Head Screw |
| 5 | 4 | McMaster 94241A530 | M5_Split Washer_Socket Head |

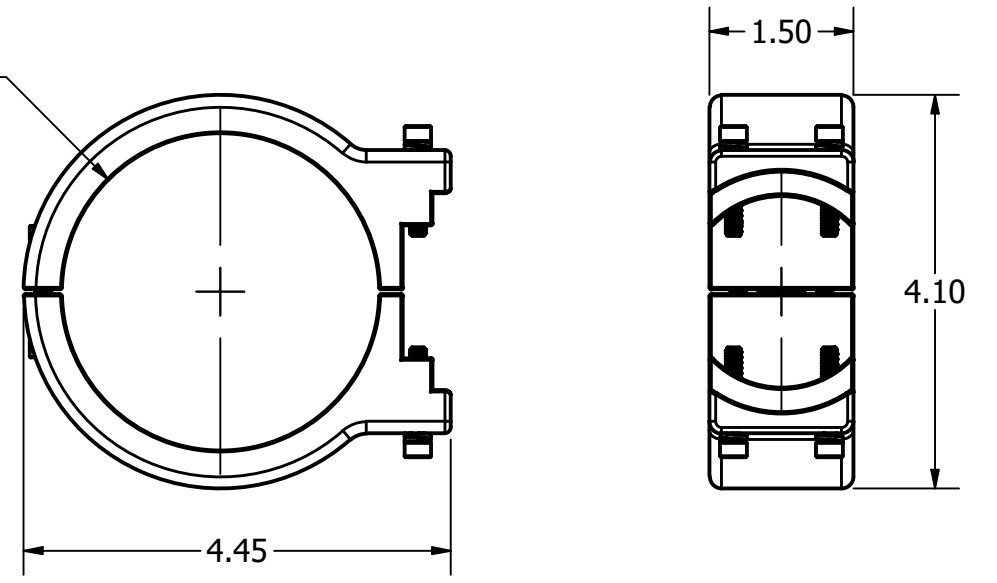
| | | |
|-----------|--------------------|----------|
| SIZE | DRAWING No. | REV |
| B | AR505-BA*** | B |
| SCALE NTS | SHEET 11 OF 29 | |

COMPATIBLE WITH:
 - HAMMERHEAD (ALL MODELS)
 - MANTA
 - WOLFFISH

AR505-BA011 84mm SIDE MOUNT
 (ACETAL RESIN, BLACK)



Ø83mm
 (Ø3.30")



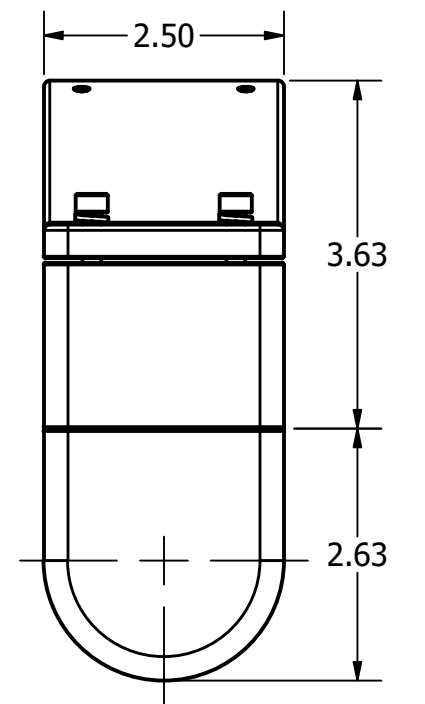
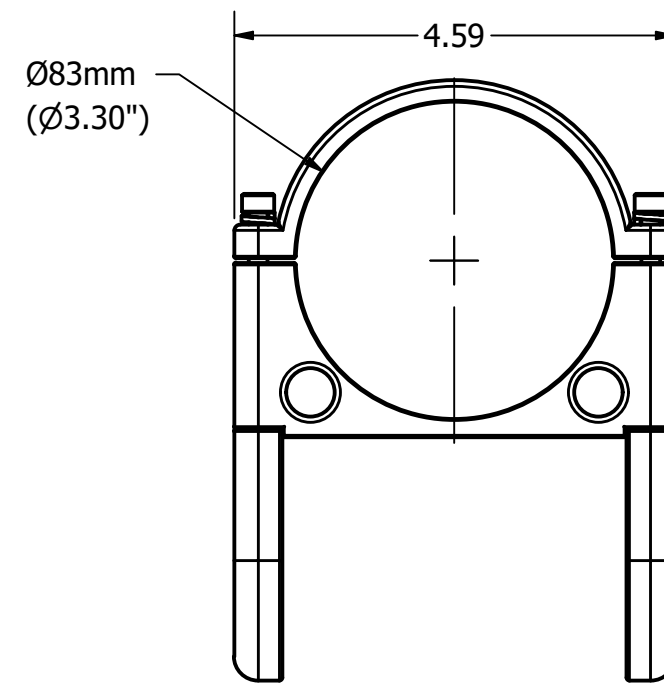
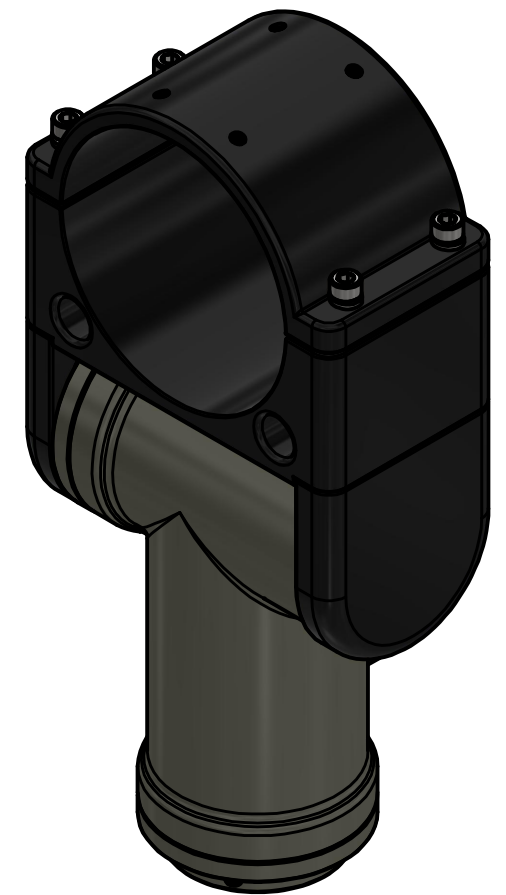
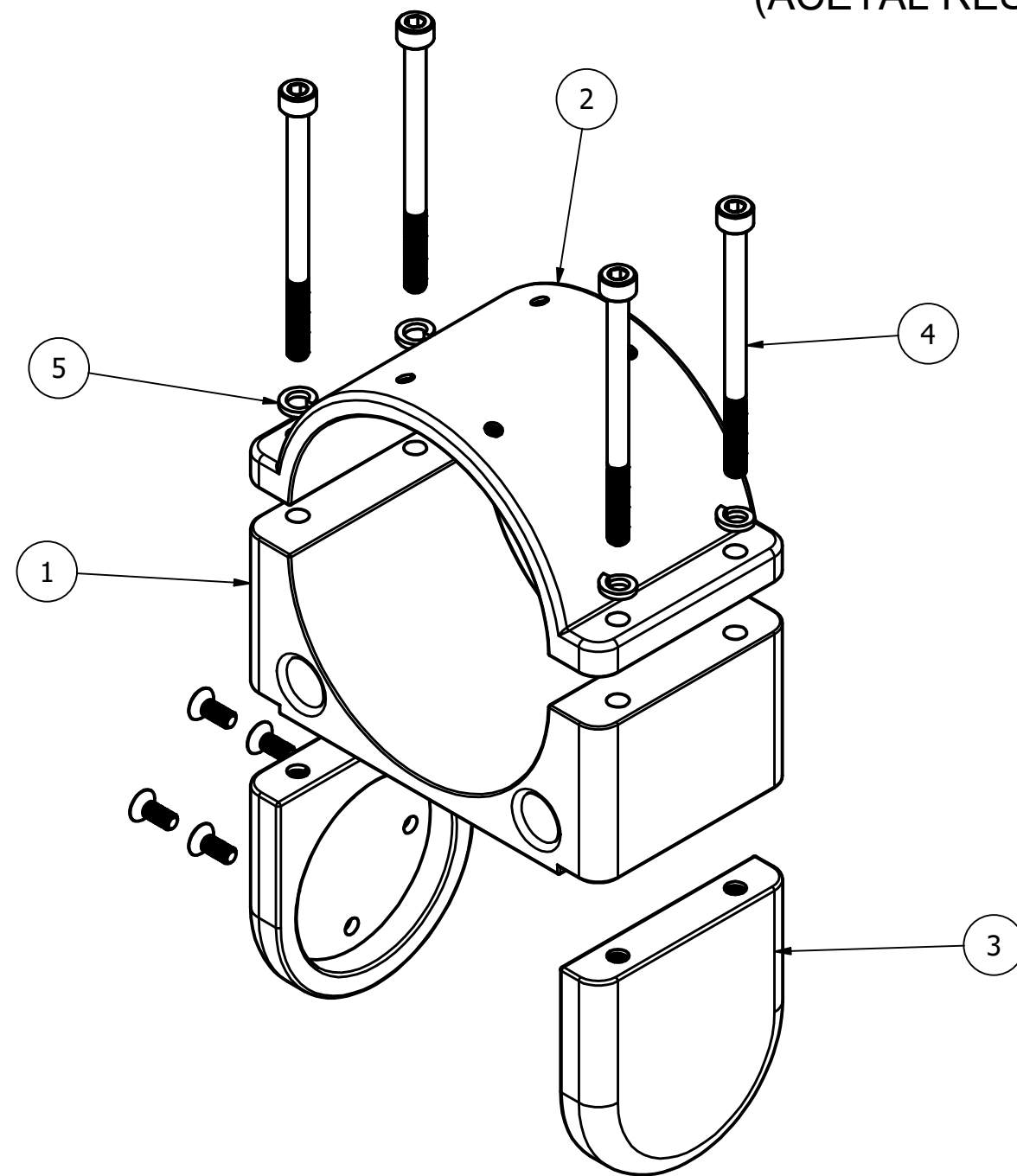
PARTS LIST

| ITEM | QTY | PART NUMBER | DESCRIPTION |
|------|-----|--------------------|-----------------------------|
| 1 | 2 | AR505-012 | 84mm_SIDE MOUNT |
| 2 | 6 | McMaster 92290A176 | M4 x 25mm_Socket Head Screw |
| 3 | 6 | McMaster 94241A520 | M4_Split Washer_Socket Head |

| | | |
|----------|--------------------|----------------|
| SIZE | DRAWING No. | REV |
| B | AR505-BA*** | B |
| SCALE | NTS | SHEET 12 OF 29 |

COMPATIBLE WITH:
 - HAMMERHEAD
 - MANTA
 - WOLFFISH

**AR505-BA012 84mm TOP MOUNT
 (ACETAL RESIN, BLACK)**



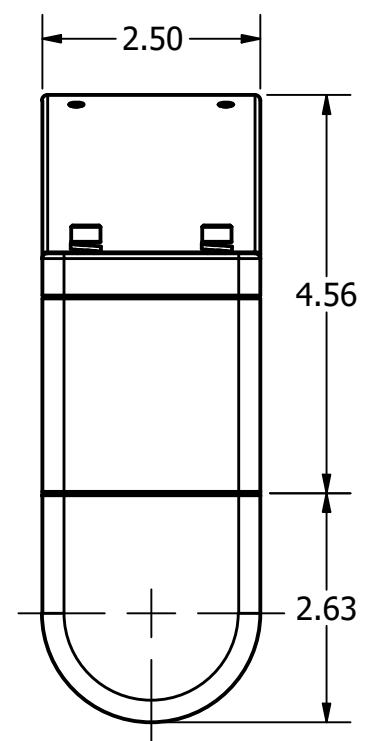
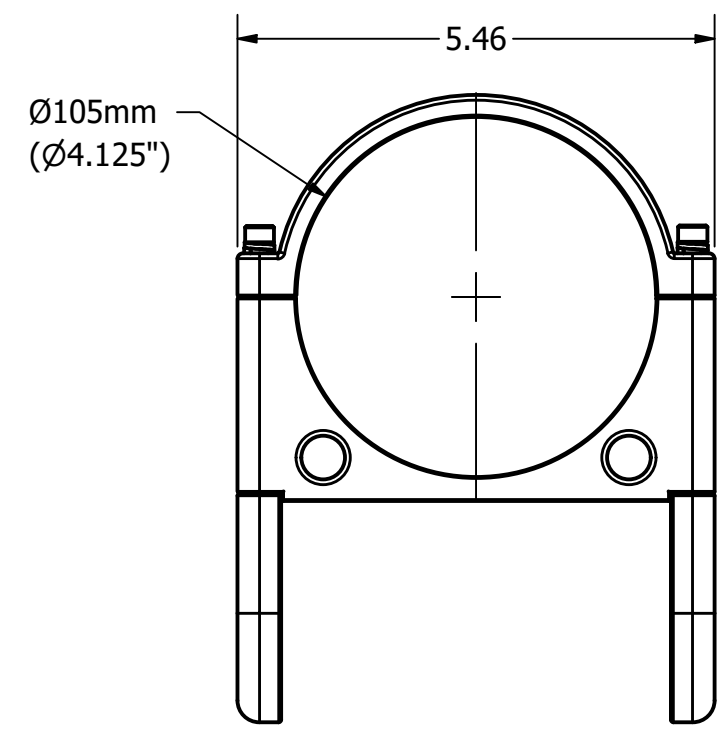
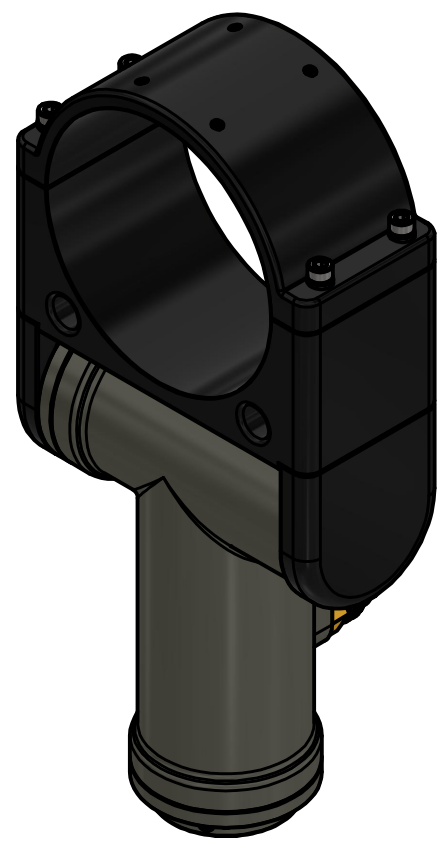
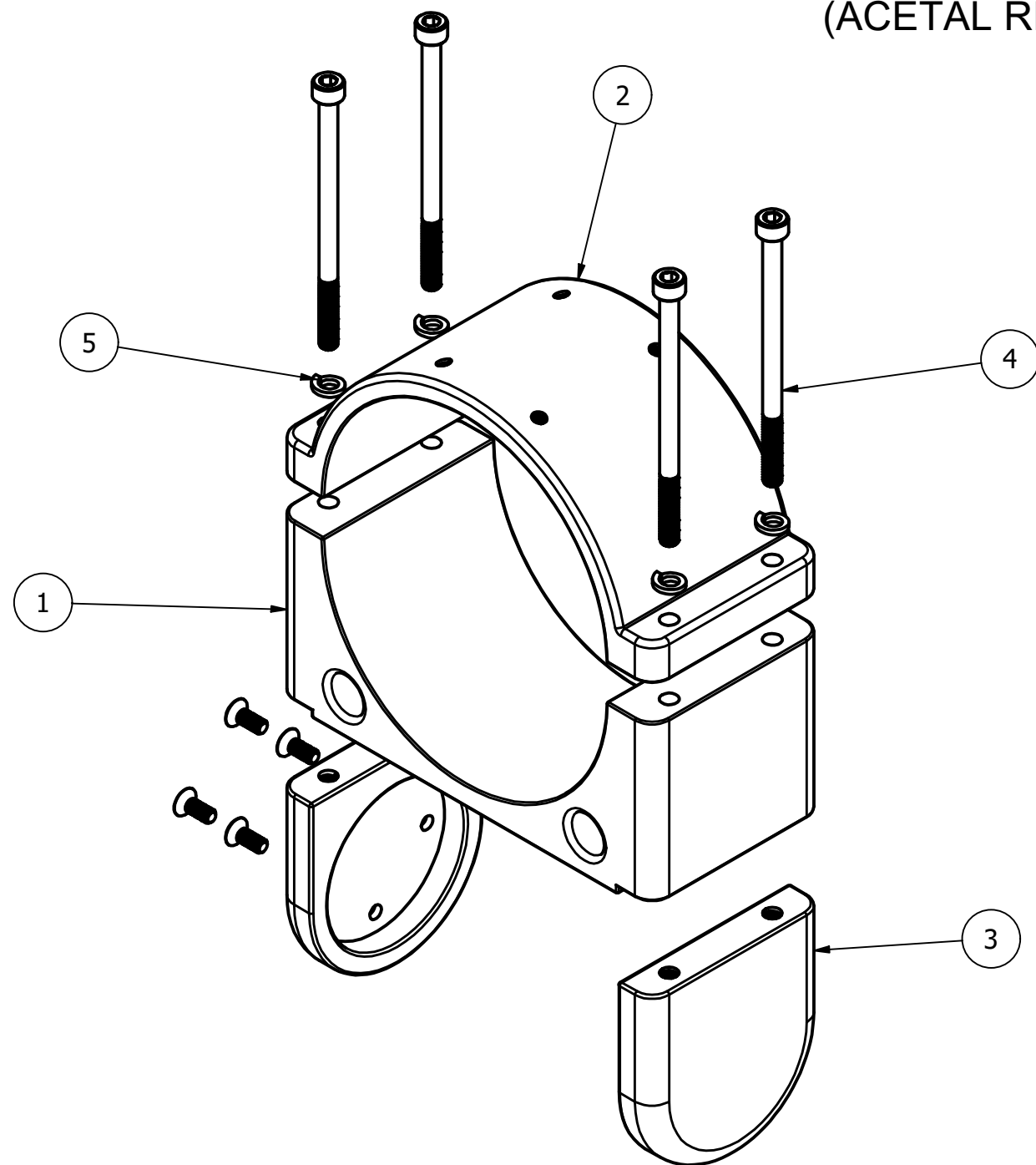
PARTS LIST

| ITEM | QTY | PART NUMBER | DESCRIPTION |
|------|-----|--------------------|-----------------------------|
| 1 | 1 | AR505-010 | 84mm_TOP MOUNT A |
| 2 | 1 | AR505-011 | 84mm_TOP MOUNT B |
| 3 | 1 | AR505-BA005 | CHEEK PLATES |
| 4 | 4 | McMaster 92290A783 | M5 x 70mm_Socket Head Screw |
| 5 | 4 | McMaster 94241A530 | M5_Split Washer_Socket Head |

| | | |
|----------|--------------------|----------------|
| SIZE | DRAWING No. | REV |
| B | AR505-BA*** | B |
| SCALE | NTS | SHEET 13 OF 29 |

COMPATIBLE WITH:
 - HAMMERHEAD XT
 - EAGLERAY

AR505-BA013 105mm XT TOP MOUNT
 (ACETAL RESIN, BLACK)



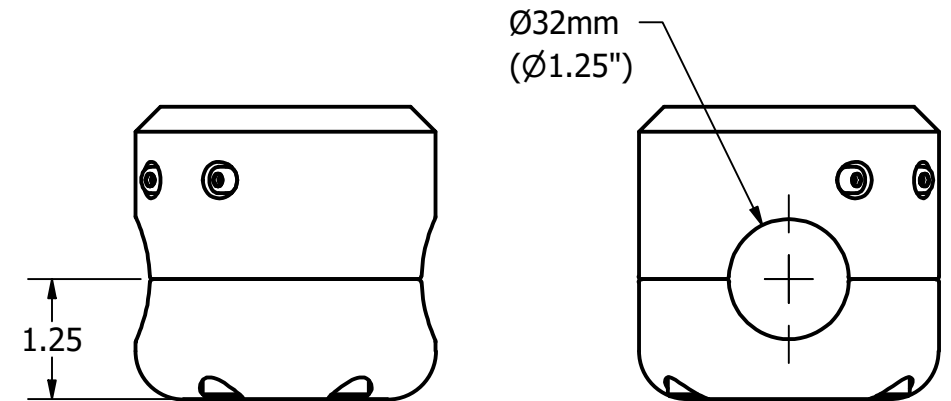
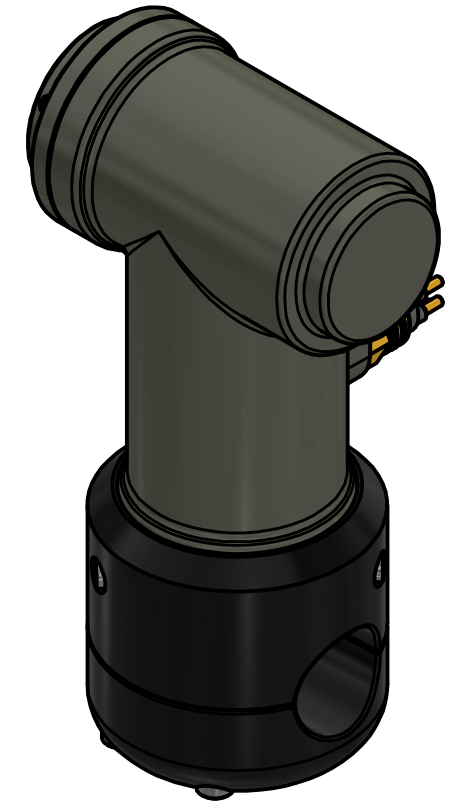
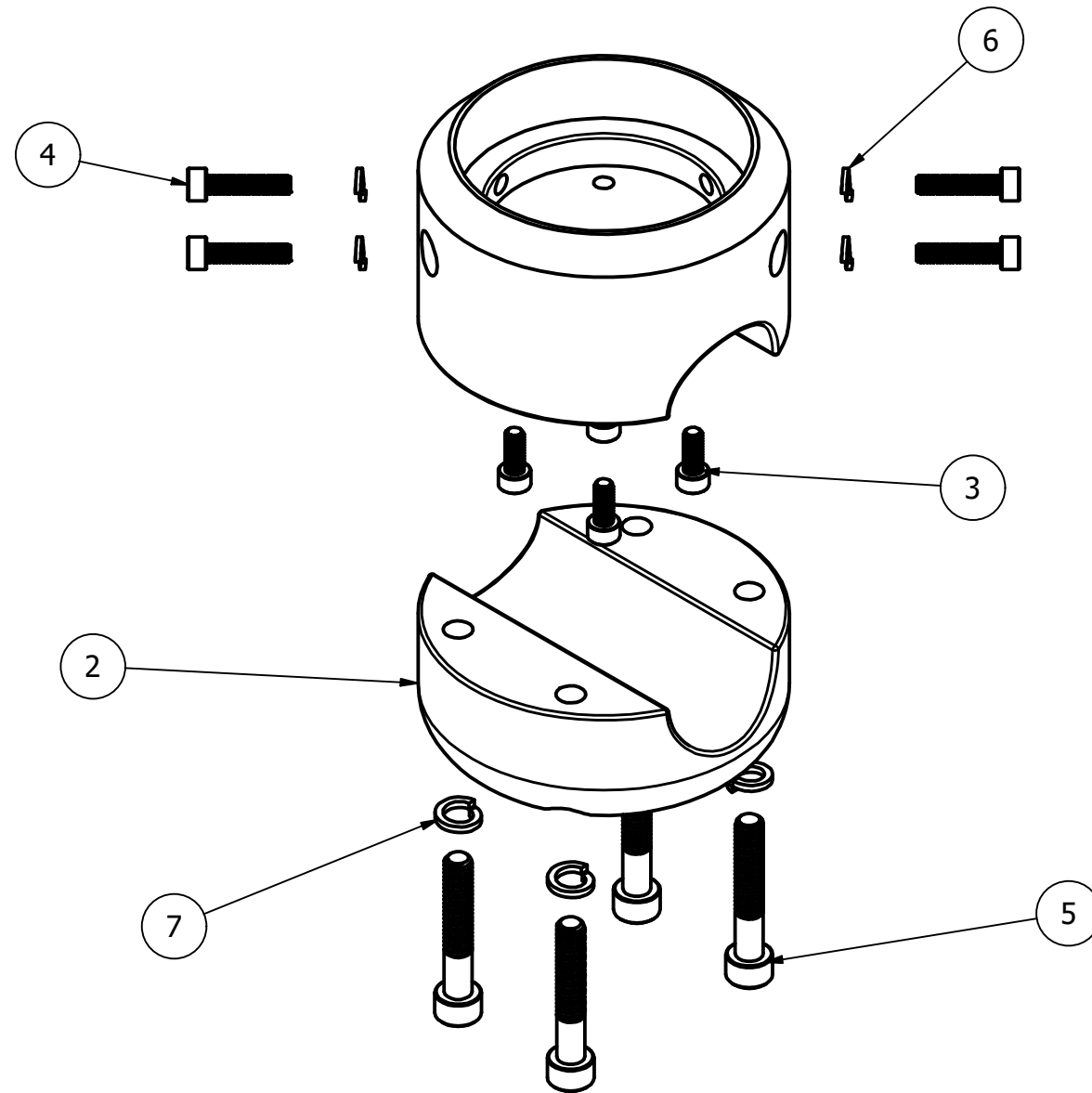
PARTS LIST

| ITEM | QTY | PART NUMBER | DESCRIPTION |
|------|-----|--------------------|-----------------------------|
| 1 | 1 | AR505-013 | 105mm_XT_TOP MOUNT A |
| 2 | 1 | AR505-014 | 105mm_XT_TOP MOUNT B |
| 3 | 1 | AR505-BA005 | CHEEK PLATES |
| 4 | 4 | McMaster 92290A784 | M5 x 80mm_Socket Head Screw |
| 5 | 4 | McMaster 94241A530 | M5_Split Washer_Socket Head |

| | | |
|----------|--------------------|----------------|
| SIZE | DRAWING No. | REV |
| B | AR505-BA*** | B |
| SCALE | NTS | SHEET 14 OF 29 |

COMPATIBLE WITH:
 - HAMMERHEAD
 - HAMMERHEAD XT

AR505-BA014 PIPE CLAMP 1 1/4"
 (ACETAL RESIN, BLACK)



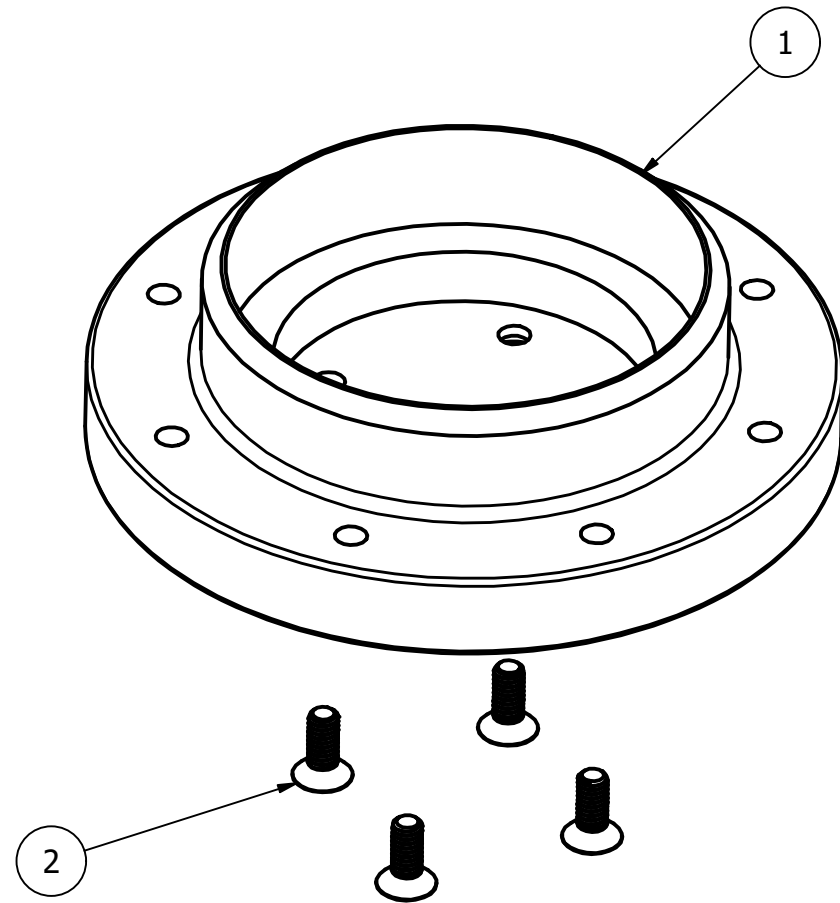
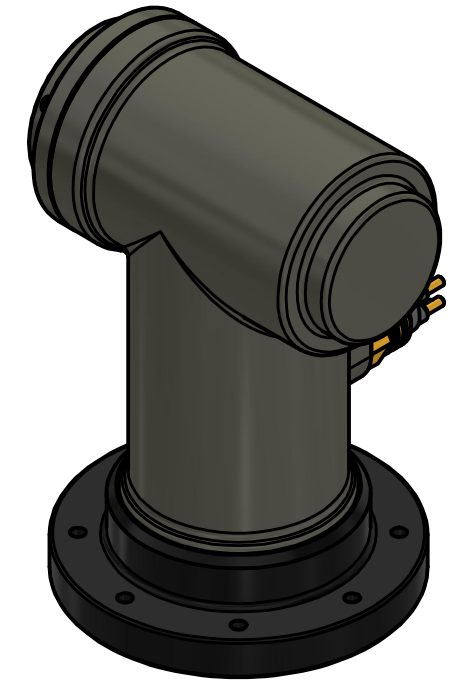
PARTS LIST

| ITEM | QTY | PART NUMBER | DESCRIPTION |
|------|-----|--------------------|-----------------------------|
| 1 | 1 | AR505-022 | PIPE CLAMP 1 1/4" _A |
| 2 | 1 | AR505-023 | PIPE CLAMP 1 1/4" _B |
| 3 | 4 | McMaster 92290A144 | M4 x 10mm_Socket Head Screw |
| 4 | 4 | McMaster 92290A161 | M4 x 18mm_Socket Head Screw |
| 5 | 4 | McMaster 92290A334 | M6 x 35mm_Socket Head Screw |
| 6 | 4 | McMaster 94241A520 | M4_Split Washer_Socket Head |
| 7 | 4 | McMaster 94241A540 | M6_Split Washer_Socket Head |

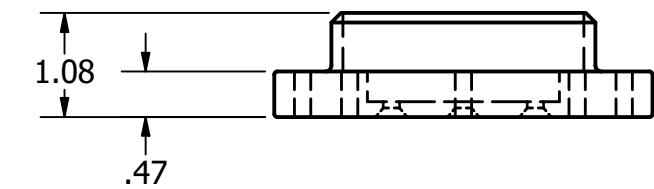
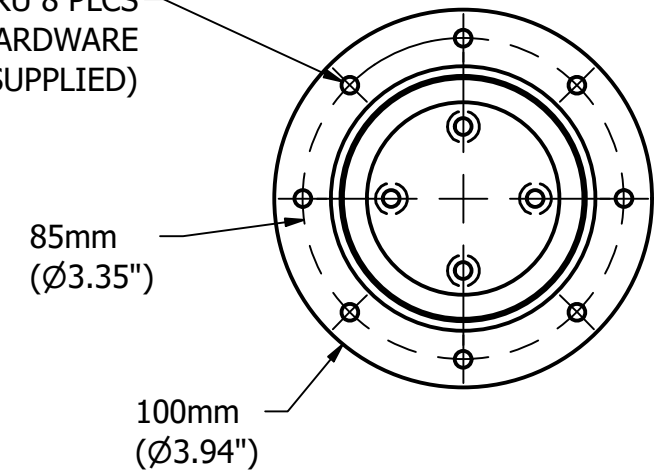
| | | |
|-----------|--------------------|----------|
| SIZE | DRAWING No. | REV |
| B | AR505-BA*** | B |
| SCALE NTS | SHEET 15 OF 29 | |

COMPATIBLE WITH:
 - HAMMERHEAD
 - HAMMERHEAD XT

AR505-BA015 PAN PLATE, COLLARED
 (ACETAL RESIN, BLACK)



Ø.17 THRU 8 PLCS
 FOR M4 HARDWARE
 (NOT SUPPLIED)

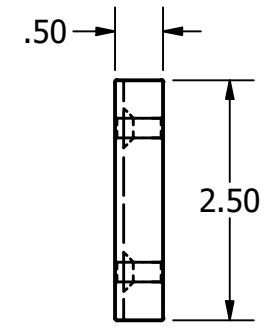
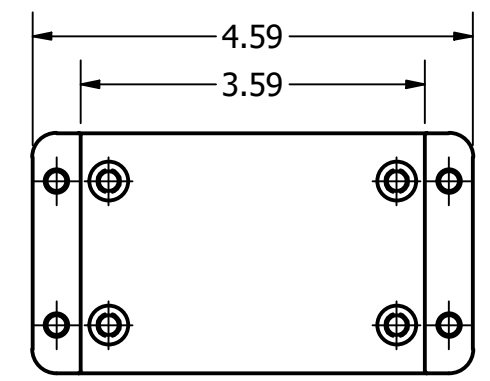
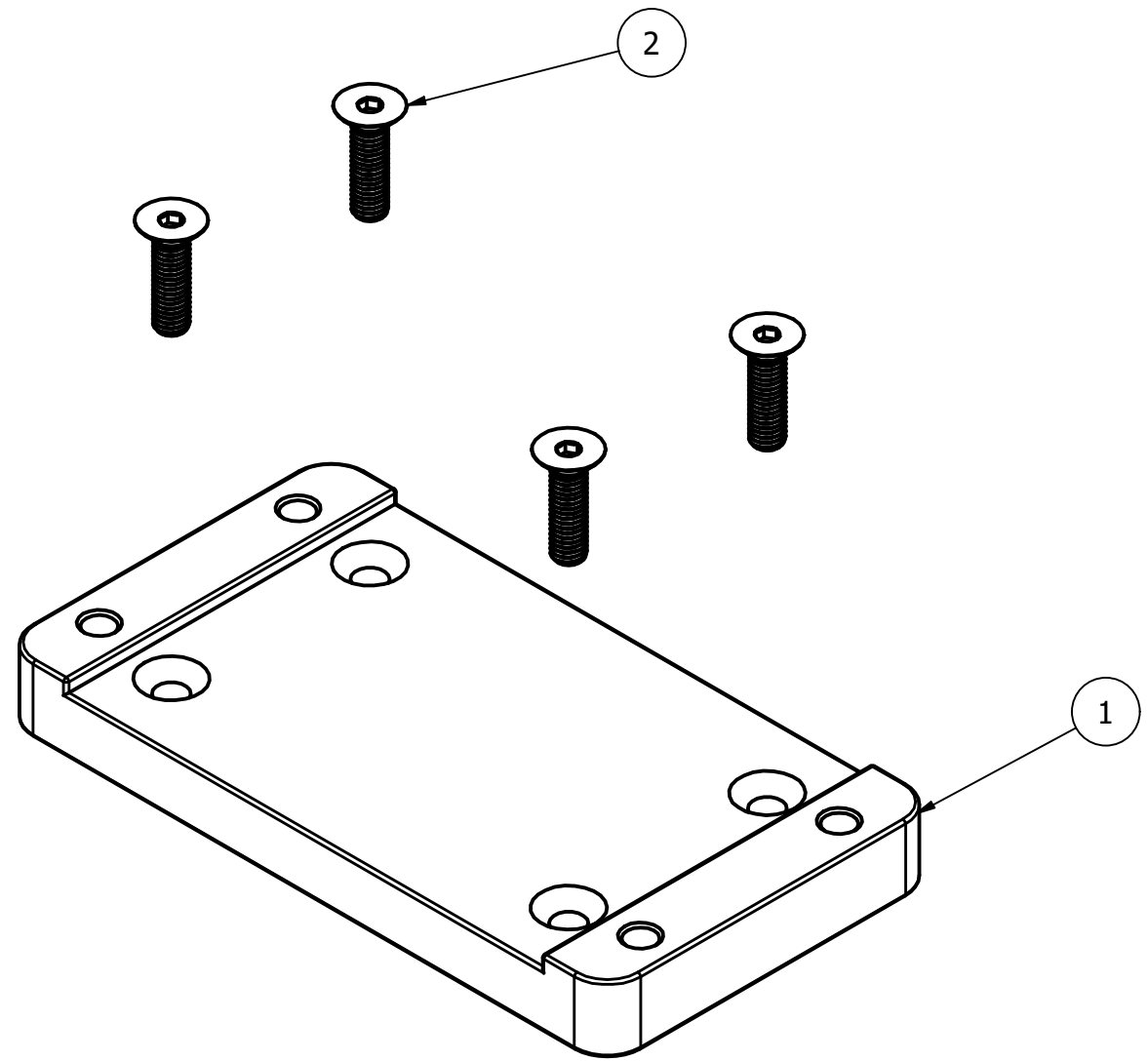
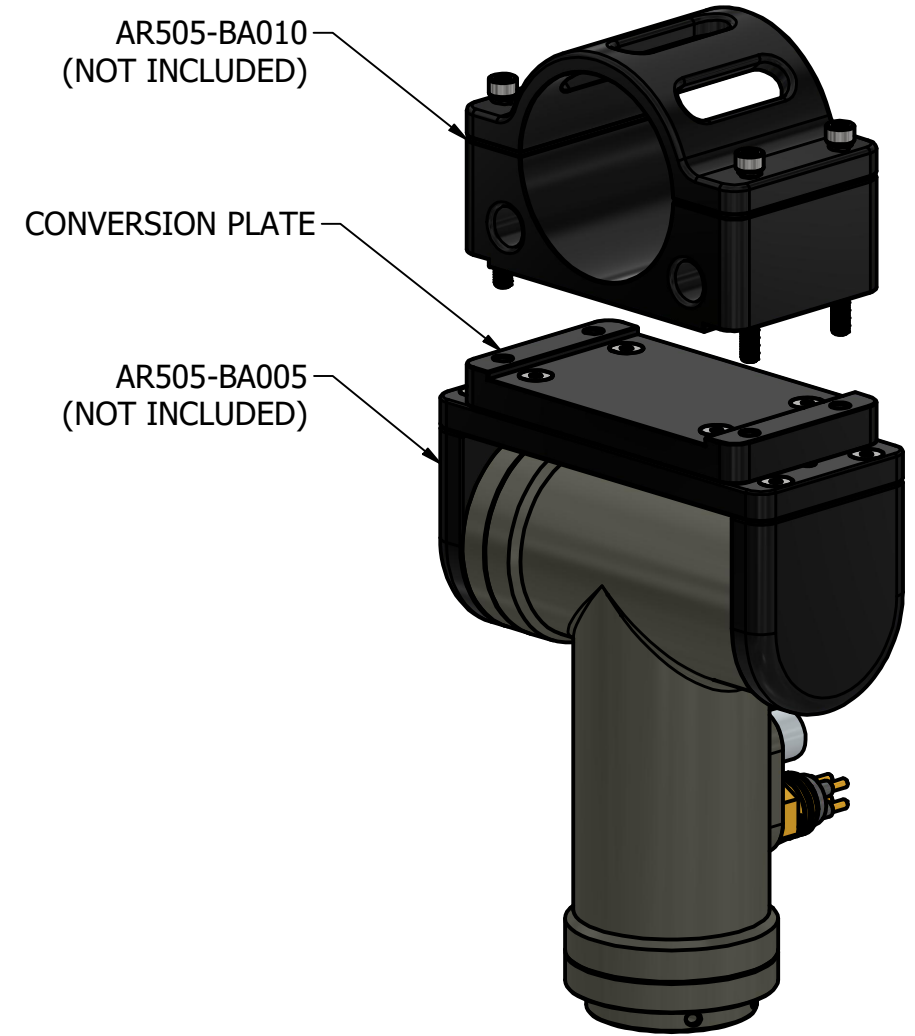


| PARTS LIST | | | |
|------------|-----|--------------------|---------------------------|
| ITEM | QTY | PART NUMBER | DESCRIPTION |
| 1 | 1 | AR505-001 | PAN PLATE_COLLARED |
| 2 | 4 | McMaster 93395A254 | M4 x 10mm_Flat Head Screw |

| | | |
|----------|--------------------|----------------|
| SIZE | DRAWING No. | REV |
| B | AR505-BA*** | B |
| SCALE | NTS | SHEET 16 OF 29 |

CONVERSION PLATE ALLOWS MOUNTING BRACKETS DESIGNED FOR HAMMERHEAD TO BE EASILY FITTED TO HAMMERHEAD XT

AR505-BA016 CONVERSION PLATE (ACETAL RESIN, BLACK)

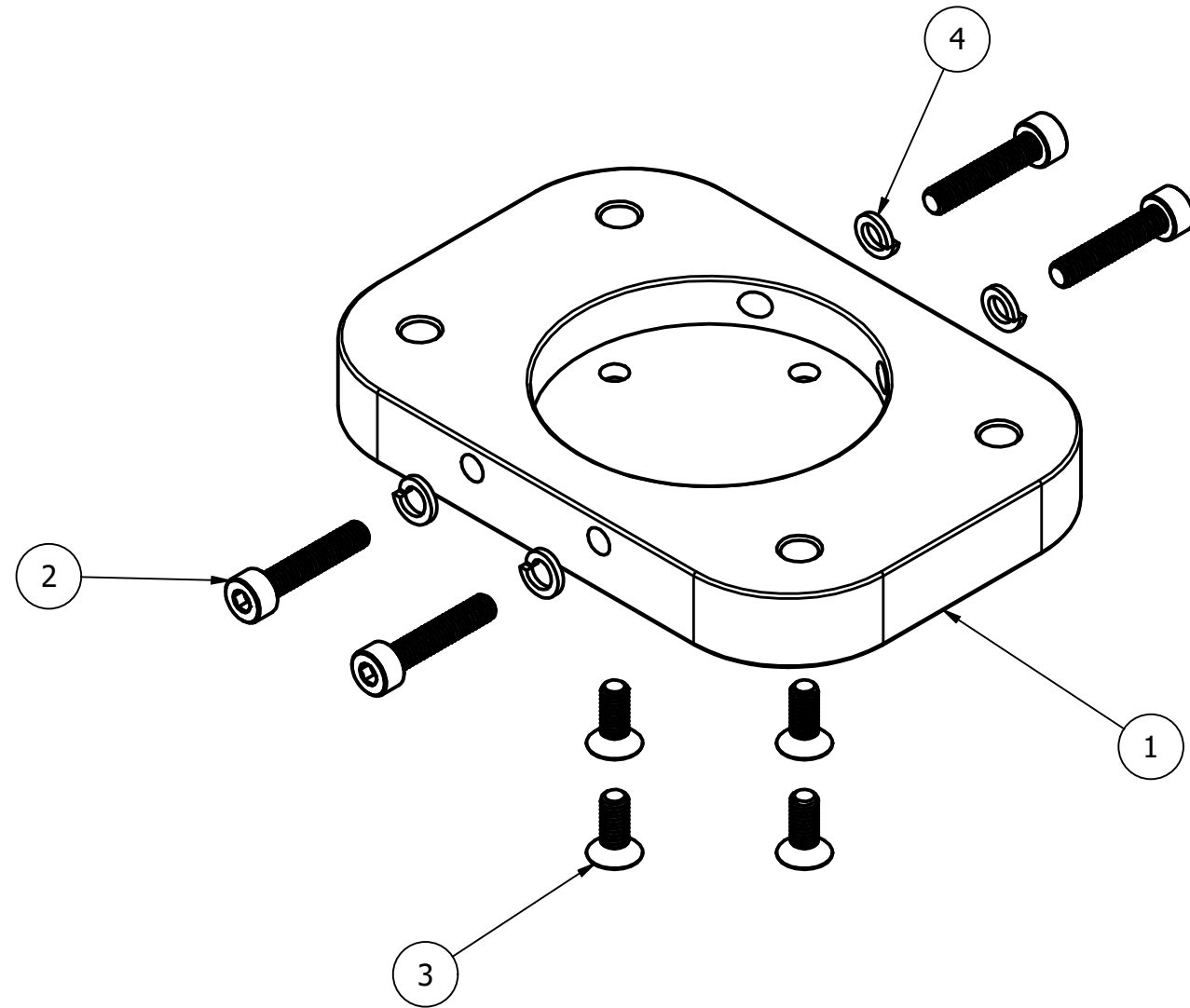
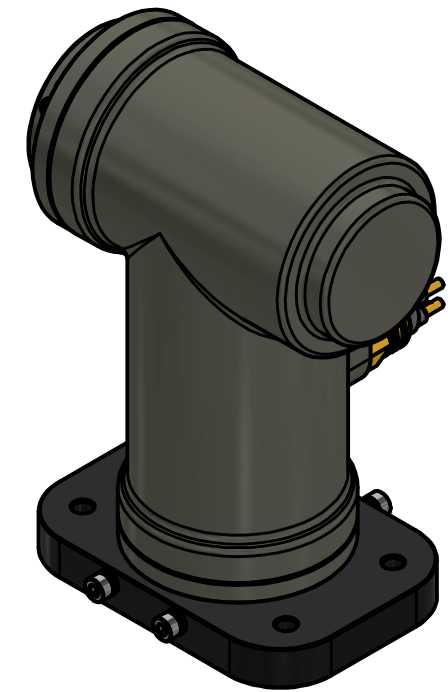


| PARTS LIST | | | |
|------------|-----|--------------------|---------------------------|
| ITEM | QTY | PART NUMBER | DESCRIPTION |
| 1 | 1 | AR505-018 | CONVERSION PLATE |
| 2 | 4 | McMaster 93395A309 | M5 x 18mm_Flat Head Screw |

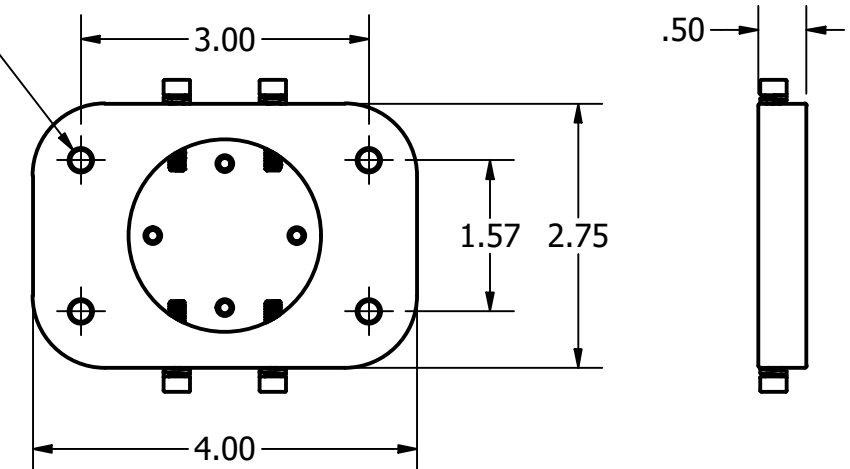
| | | |
|----------|--------------------|----------------|
| SIZE | DRAWING No. | REV |
| B | AR505-BA*** | B |
| SCALE | NTS | SHEET 17 OF 29 |

COMPATIBLE WITH:
 - HAMMERHEAD
 - HAMMERHEAD XT

AR505-BA017 PAN PLATE, FLAT
 (ACETAL RESIN, BLACK)



Ø.22 THRU 4 PLCS
 FOR M5 HARDWARE
 (NOT SUPPLIED)



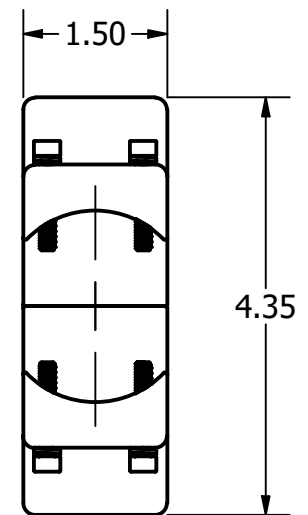
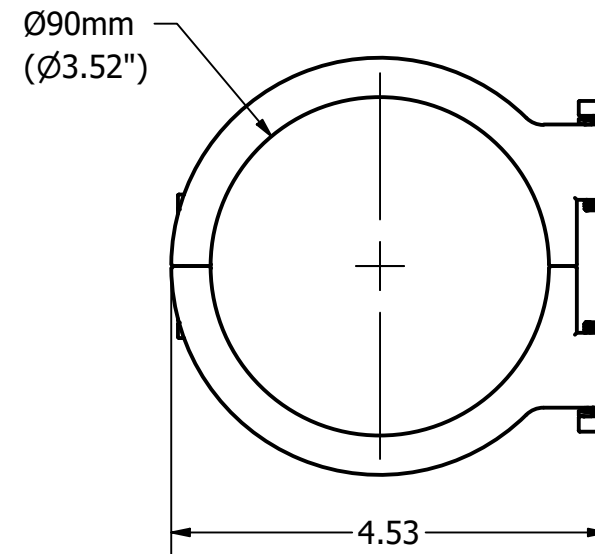
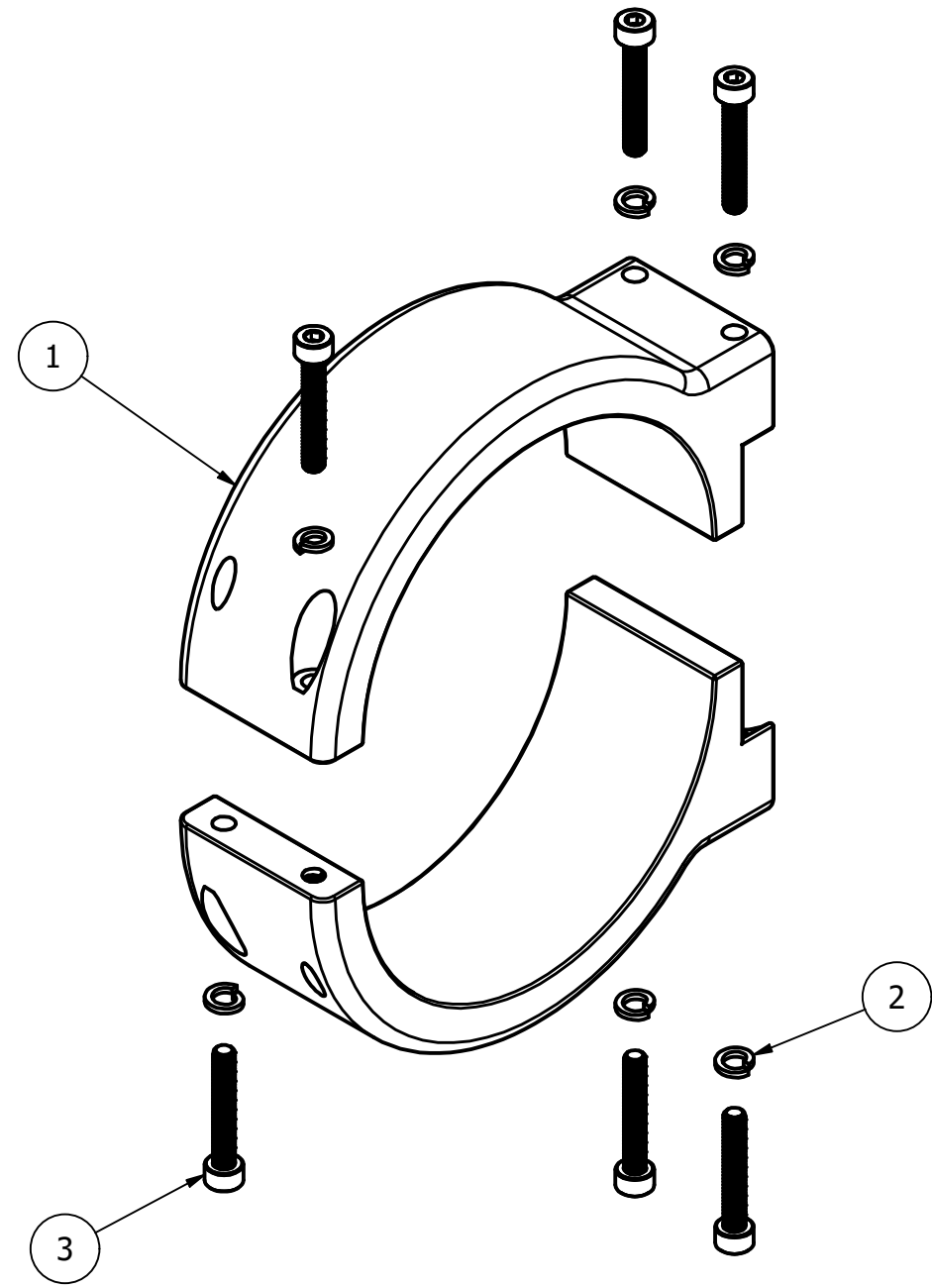
PARTS LIST

| ITEM | QTY | PART NUMBER | DESCRIPTION |
|------|-----|--------------------|-----------------------------|
| 1 | 1 | AR505-019 | PAN PLATE_FLAT |
| 2 | 4 | McMaster 92290A168 | M4 x 18mm_Socket Head Screw |
| 3 | 4 | McMaster 93395A254 | M4 x 10mm_Flat Head Screw |
| 4 | 4 | McMaster 94241A520 | M4_Split Washer_Socket Head |

| | | |
|-----------|--------------------|----------|
| SIZE | DRAWING No. | REV |
| B | AR505-BA*** | B |
| SCALE NTS | SHEET 18 OF 29 | |

COMPATIBLE WITH:
- HAMMERHEAD (ALL MODELS)

AR505-BA018 90mm SIDE MOUNT
(ACETAL RESIN, BLACK)



PARTS LIST

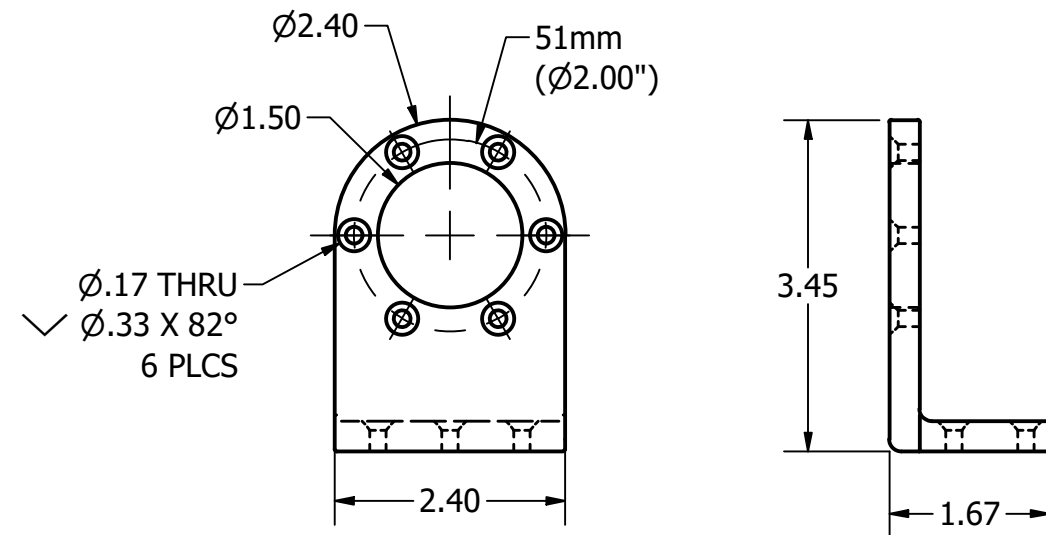
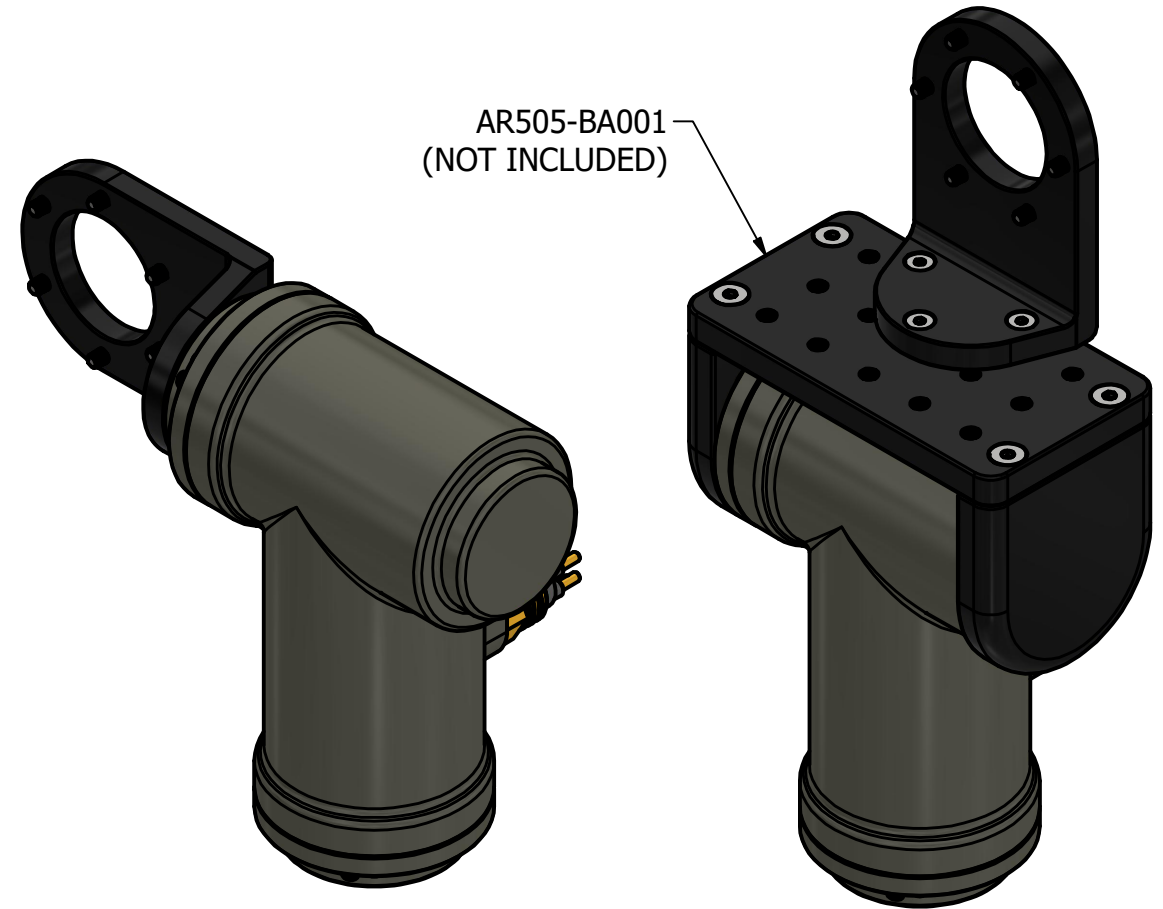
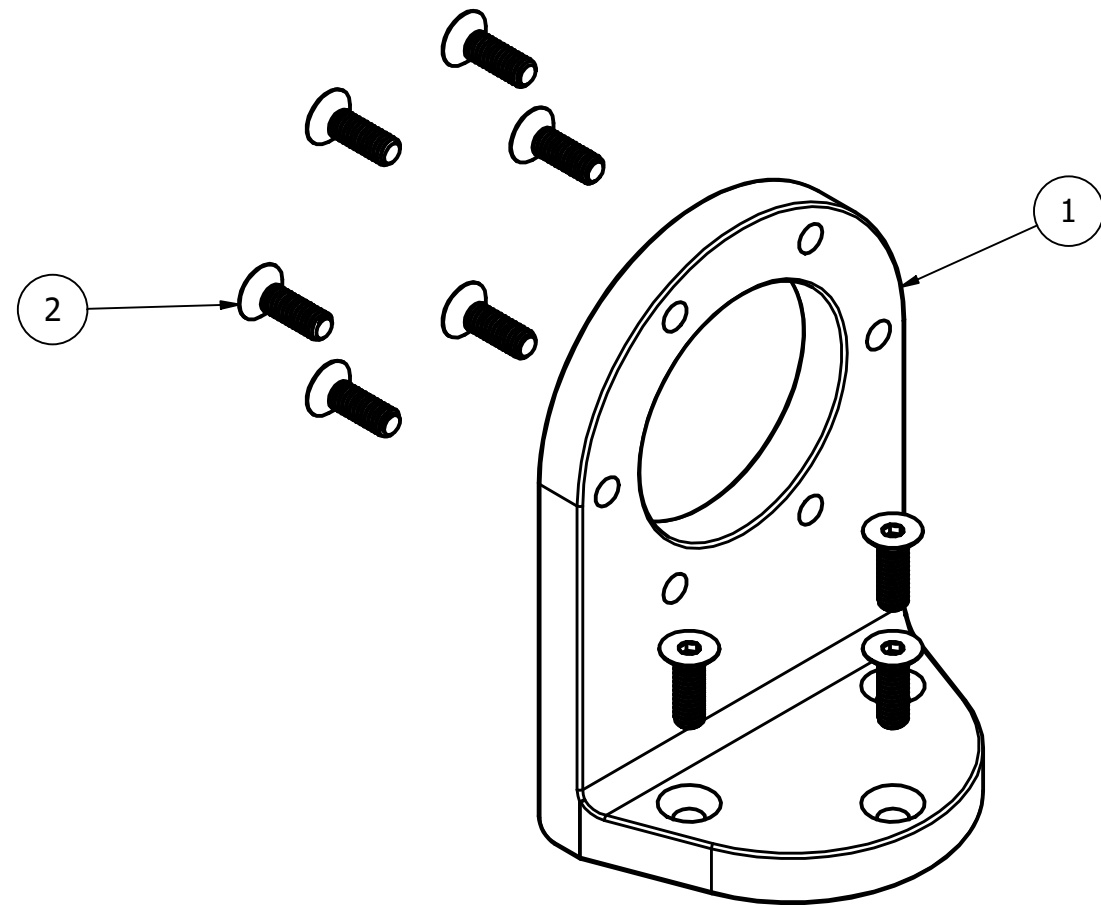
| ITEM | QTY | PART NUMBER | DESCRIPTION |
|------|-----|--------------------|-----------------------------|
| 1 | 2 | AR505-024 | 90mm_SIDE MOUNT |
| 2 | 6 | McMaster 94241A520 | M4_Split Washer_Socket Head |
| 3 | 6 | McMaster 92290A176 | M4 x 25mm_Socket Head Screw |

| | | |
|-----------|--------------------|----------|
| SIZE | DRAWING No. | REV |
| B | AR505-BA*** | B |
| SCALE NTS | SHEET 19 OF 29 | |

FOR TOP MOUNTING COMBINE WITH ANOTHER ASSEMBLY
SUCH AS AR505-BA001 SHOWN ON FAR RIGHT

AR505-BA019 DRAGONFISH MOUNT (ACETAL RESIN, BLACK)

- COMPATIBLE WITH:
- HAMMERHEAD (ALL MODELS)
 - DRAGONFISH MINI
 - DRAGONFISH AIR
 - DRAGONFISH

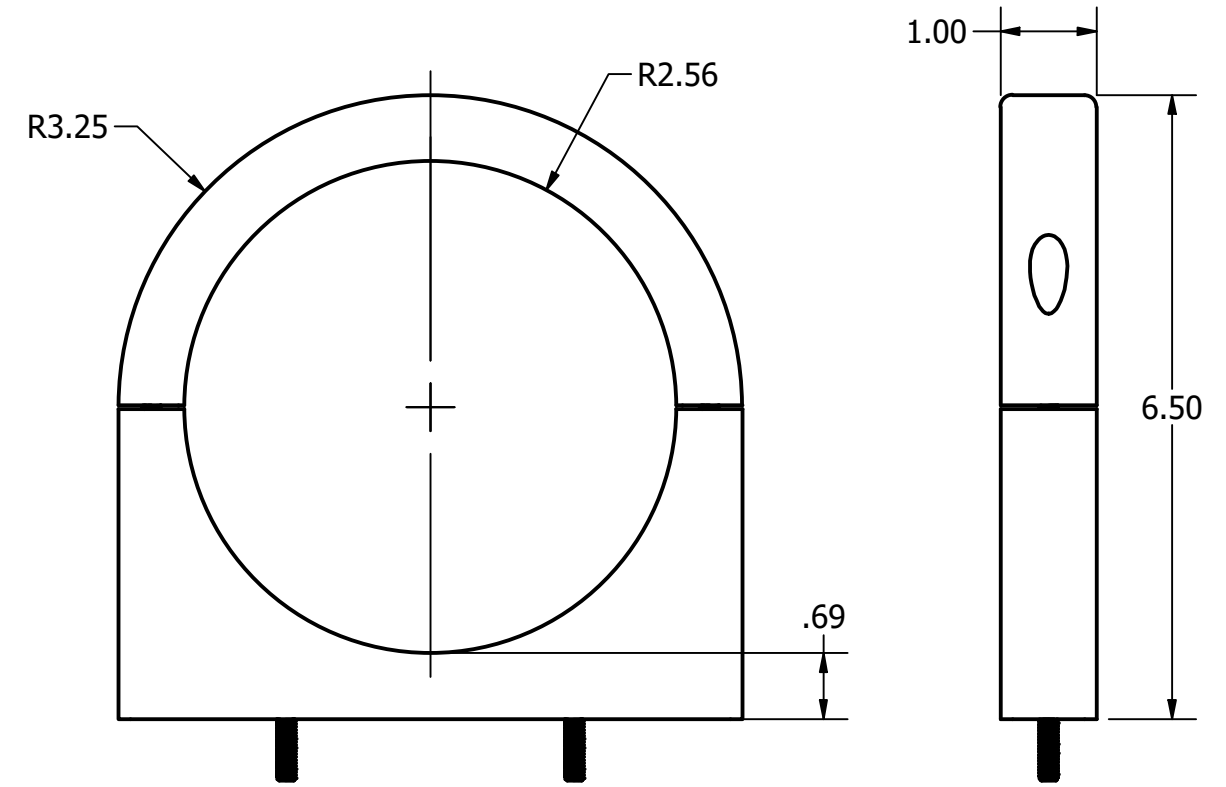
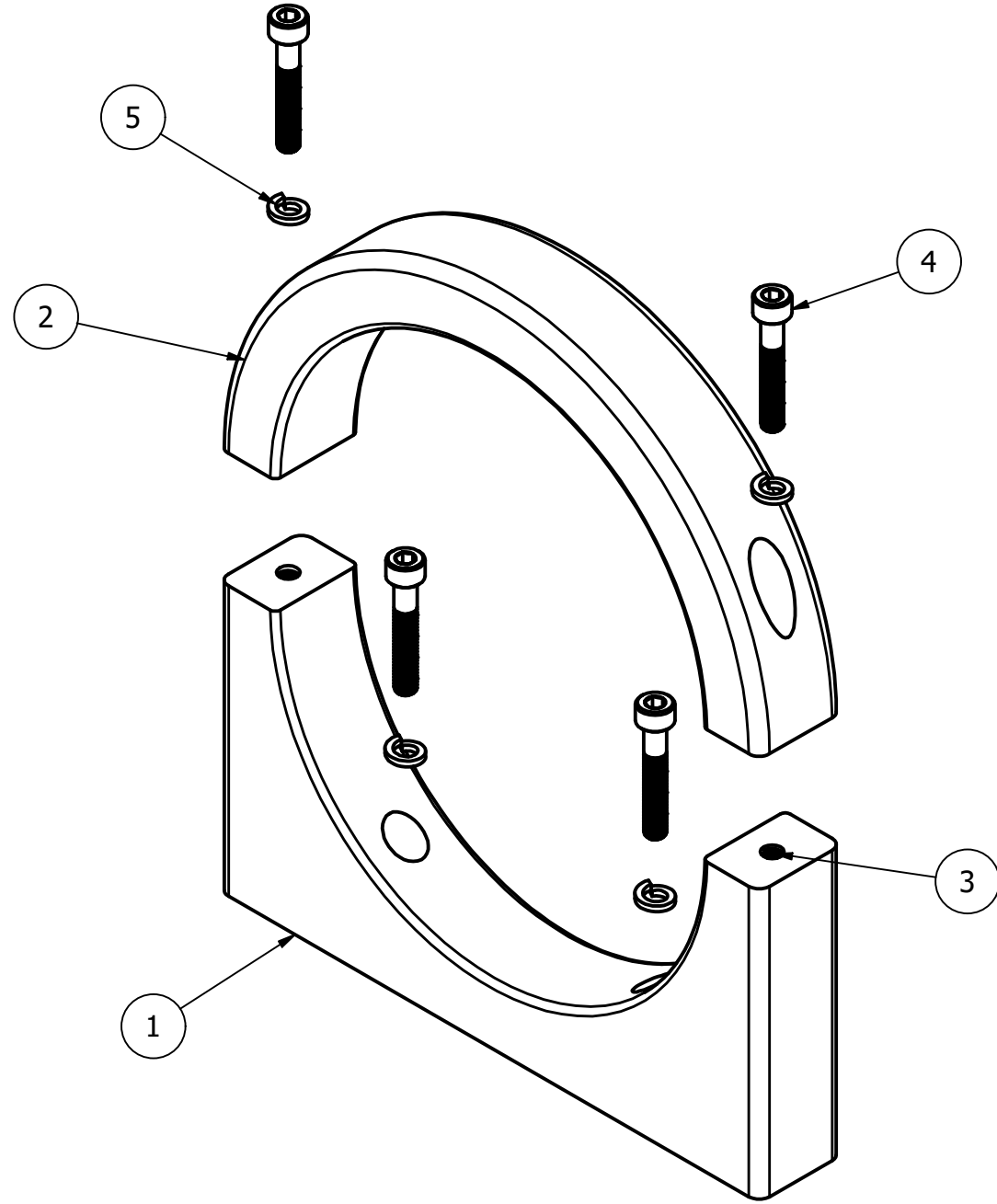


| PARTS LIST | | | |
|------------|-----|--------------------|---------------------------|
| ITEM | QTY | PART NUMBER | DESCRIPTION |
| 1 | 1 | AR505-020 | DRAGONFISH BRACKET |
| 2 | 9 | McMaster 93395A257 | M4 x 12mm_Flat Head Screw |

| | | |
|----------|--------------------|----------------|
| SIZE | DRAWING No. | REV |
| B | AR505-BA*** | B |
| SCALE | NTS | SHEET 20 OF 29 |

COMPATIBLE WITH:
- ALPHEUS

AR505-BA020 5" BRACKET
ACETAL (DELTRIN), BLACK



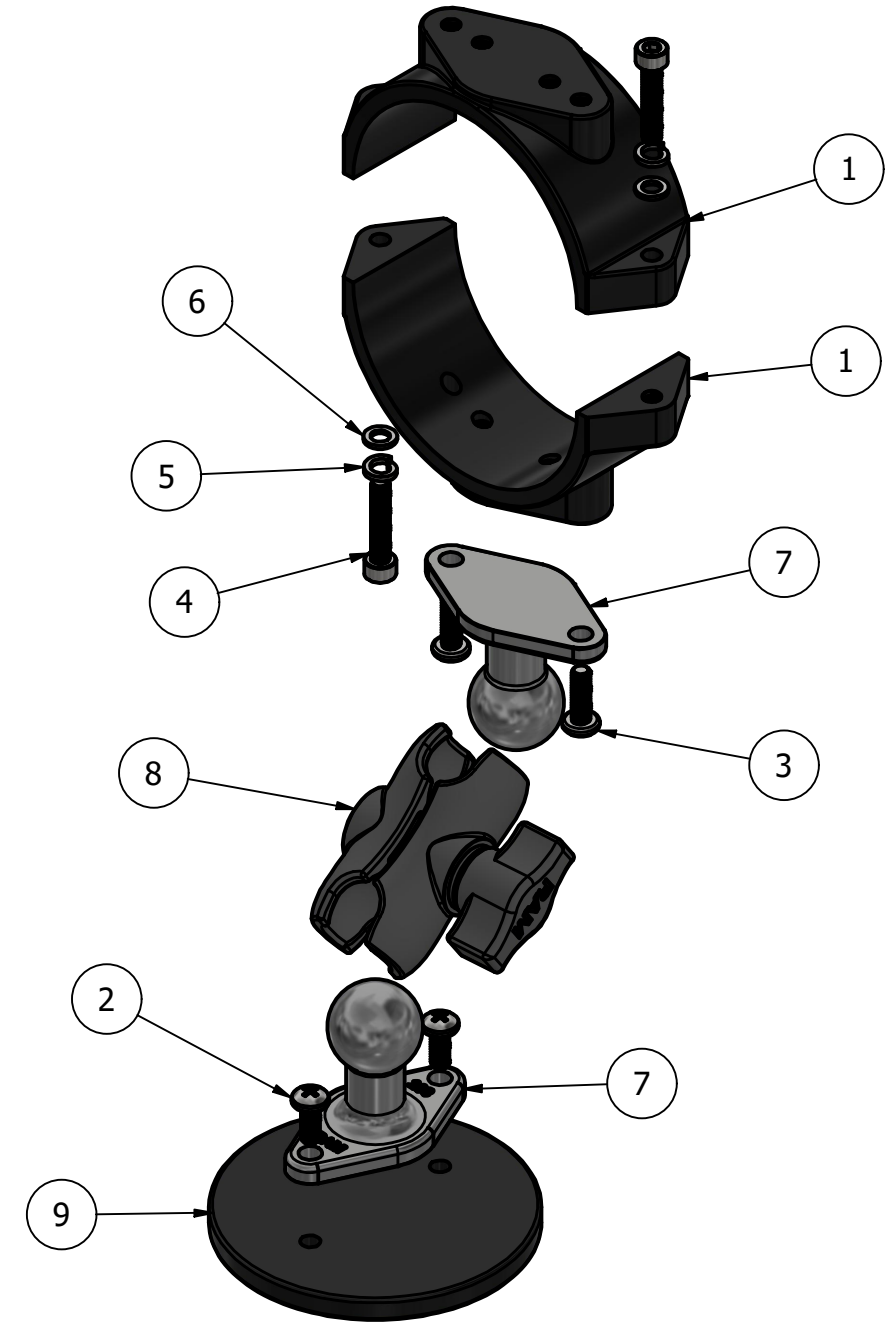
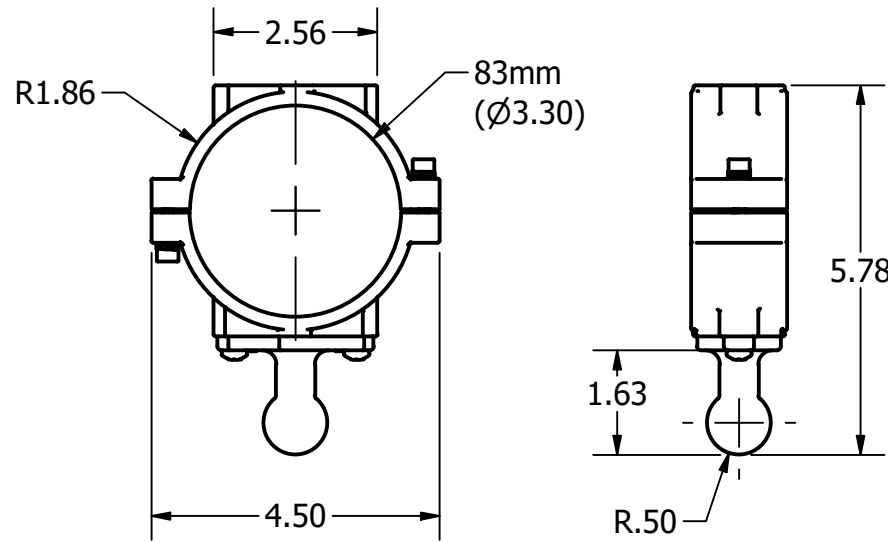
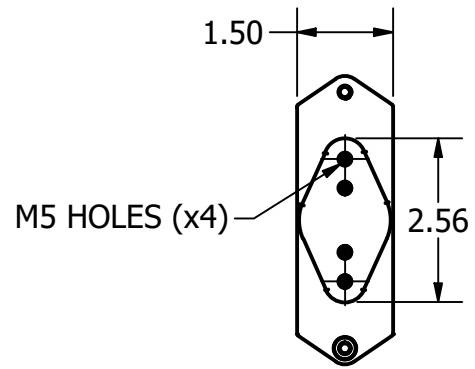
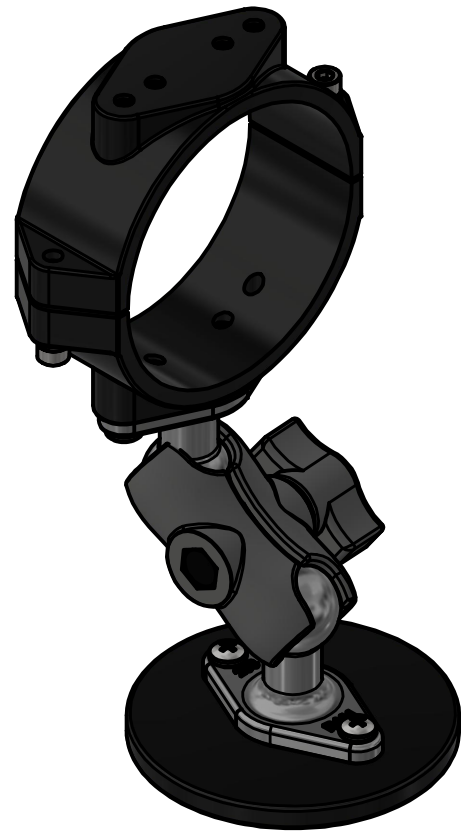
PARTS LIST

| ITEM | QTY | PART NUMBER | DESCRIPTION |
|------|-----|--------------------|----------------------------------|
| 1 | 1 | AR505-024 | 5" BRACKET A |
| 2 | 1 | AR505-025 | 5" BRACKET B |
| 3 | 2 | McMaster 91732A779 | M5 x 10mm_Helical Insert |
| 4 | 4 | McMaster 92290A254 | M5 x 30mm_Socket Head Screw |
| 5 | 4 | McMaster 94241A530 | M5_Split Lock Washer_Socket Head |

| | | |
|-------------|--------------------|----------|
| SIZE | DRAWING No. | REV |
| B | AR505-BA*** | B |
| SCALE 1:1.5 | SHEET 21 OF 29 | |

COMPATIBLE WITH:
 - MANTA
 - WOLFFISH

AR505-BA021 84mm RAM MOUNT (ACETAL RESIN, BLACK)



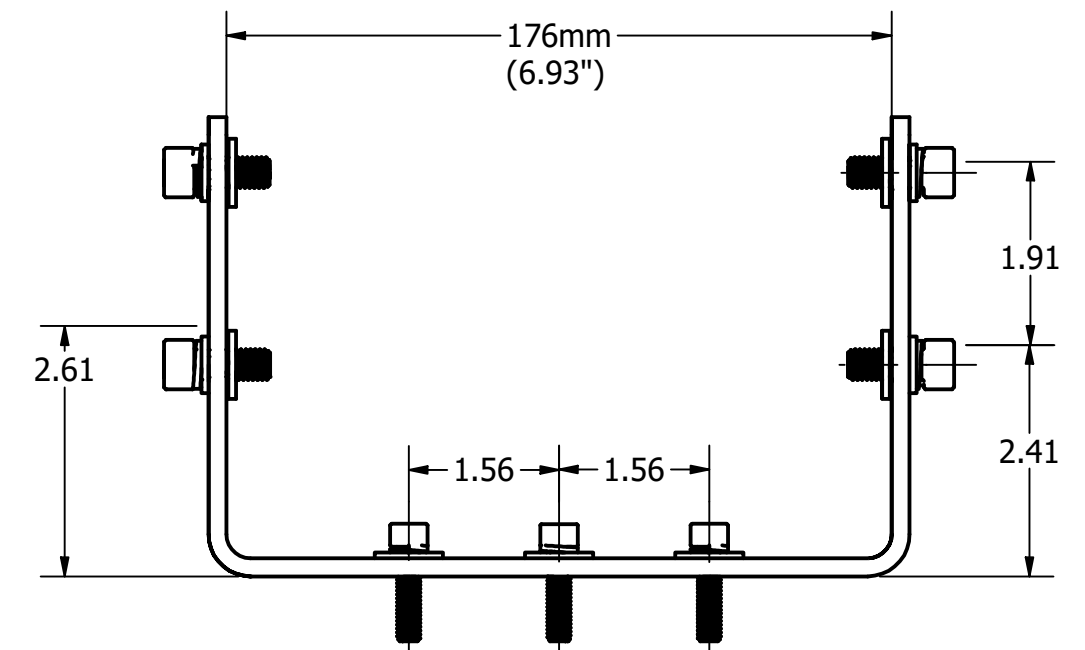
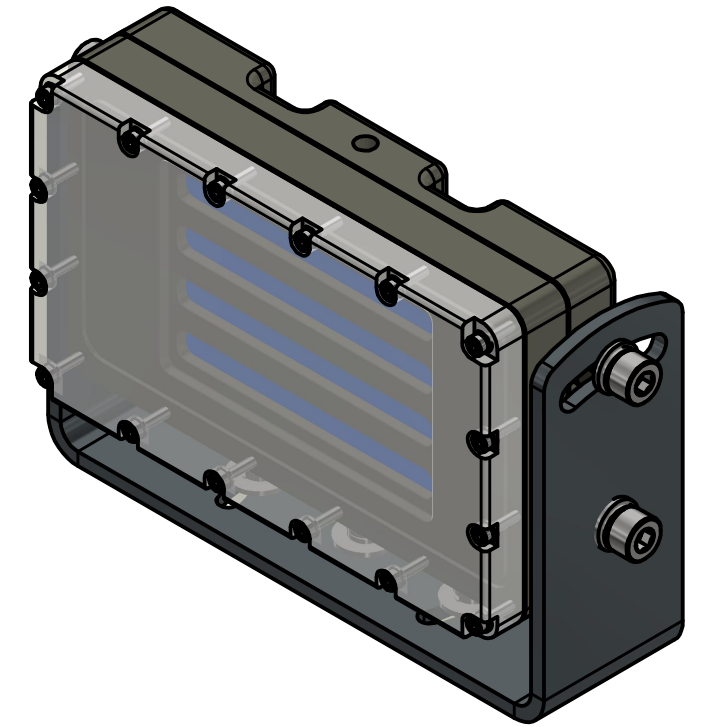
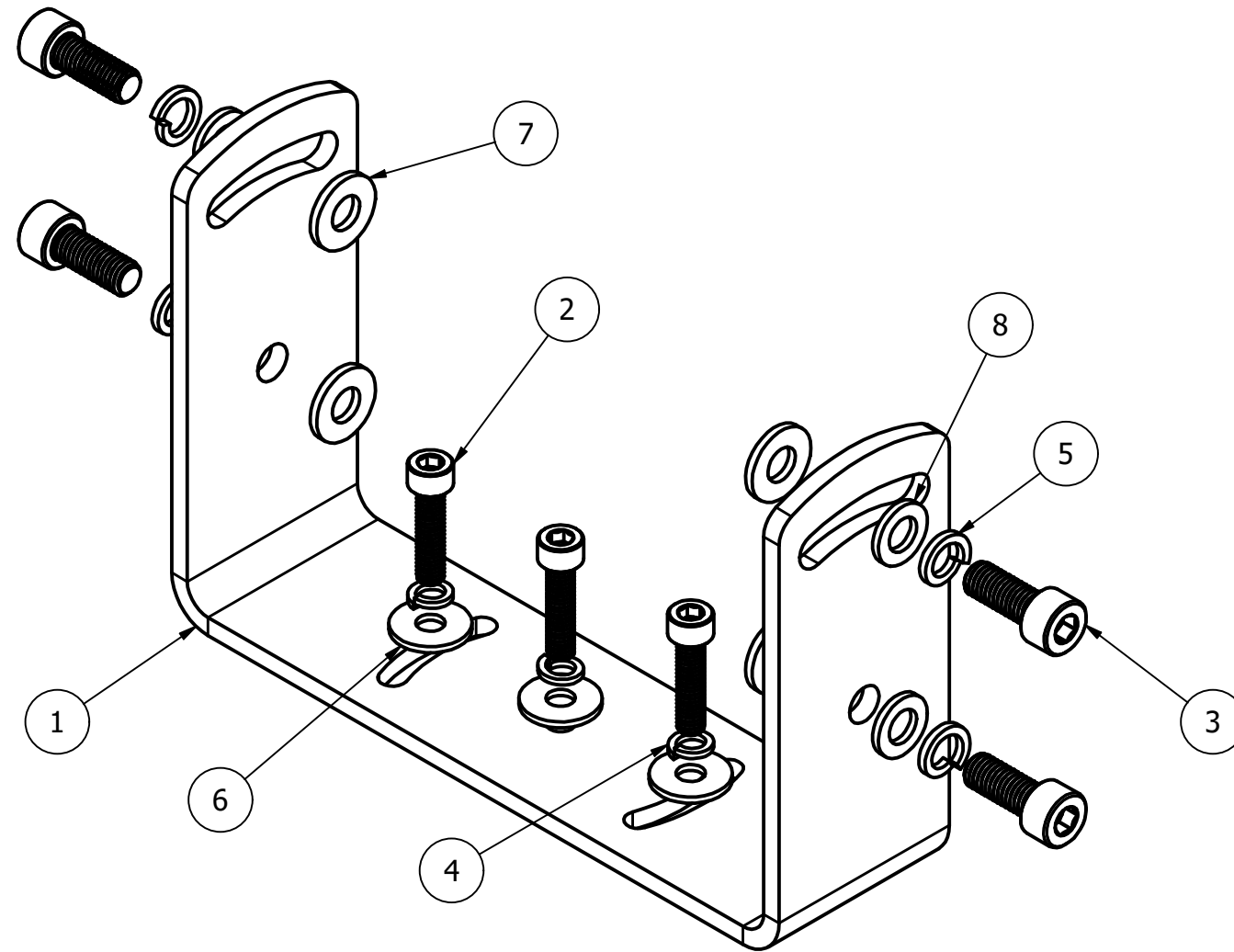
PARTS LIST

| ITEM | QTY | PART NUMBER | DESCRIPTION |
|------|-----|-------------------------|-----------------------------------|
| 1 | 2 | AR505-027 | RAM MOUNT BRACKET_84mm |
| 2 | 2 | McMaster 90116A252 | M5 x 12mm_Pan Head Screw |
| 3 | 2 | McMaster 90116A256 | M5 x 16mm_Pan Head Screw |
| 4 | 2 | McMaster 92290A252 | M5 x 25mm_Socket Head Screw |
| 5 | 2 | McMaster 94241A530 | M5_Split Lock Washer_Socket Head |
| 6 | 2 | McMaster 98690A112 | M5_Flat Washer |
| 7 | 2 | RAP-B-238U / RAM-B-238U | BALL MOUNT (Composite / Aluminum) |
| 8 | 1 | RAM-B-201U-A | RAM ARM |
| 9 | 1 | RAM-B-MAG88U | RAM MAGNETIC BASE |

| | | |
|----------|--------------------|----------------|
| SIZE | DRAWING No. | REV |
| B | AR505-BA*** | B |
| SCALE | NTS | SHEET 22 OF 29 |

COMPATIBLE WITH:
- STARGAZER 6K

AR505-BA022 STARGAZER 6K
ALUMINUM, 6061-T6 (AHC BLACK)



PARTS LIST

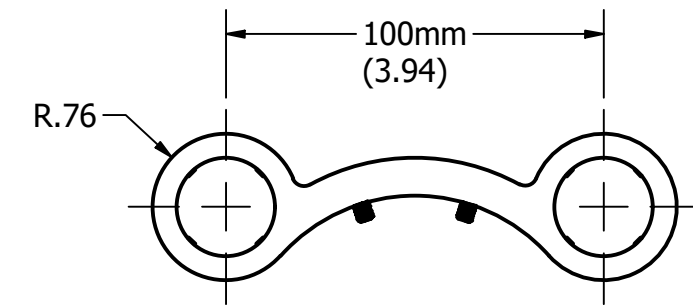
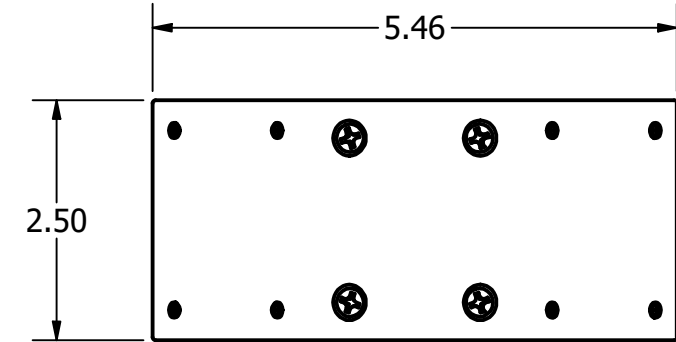
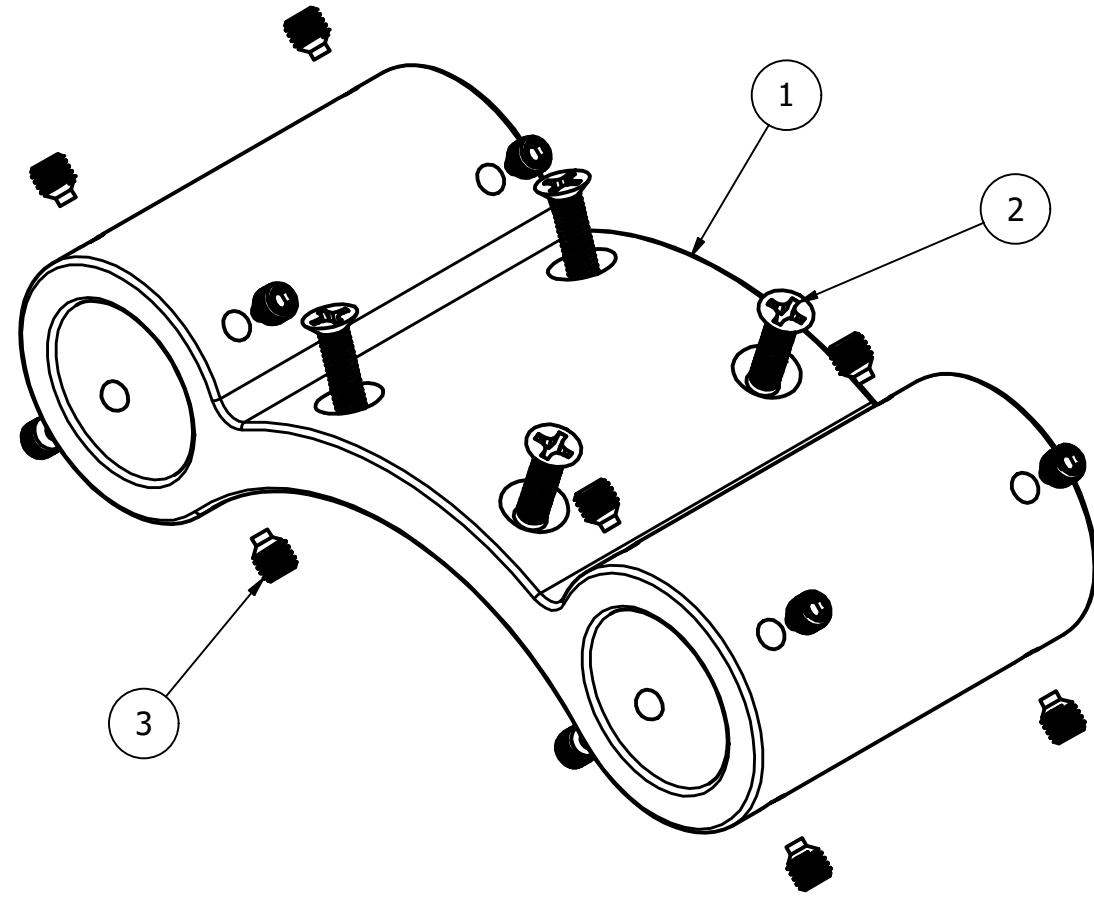
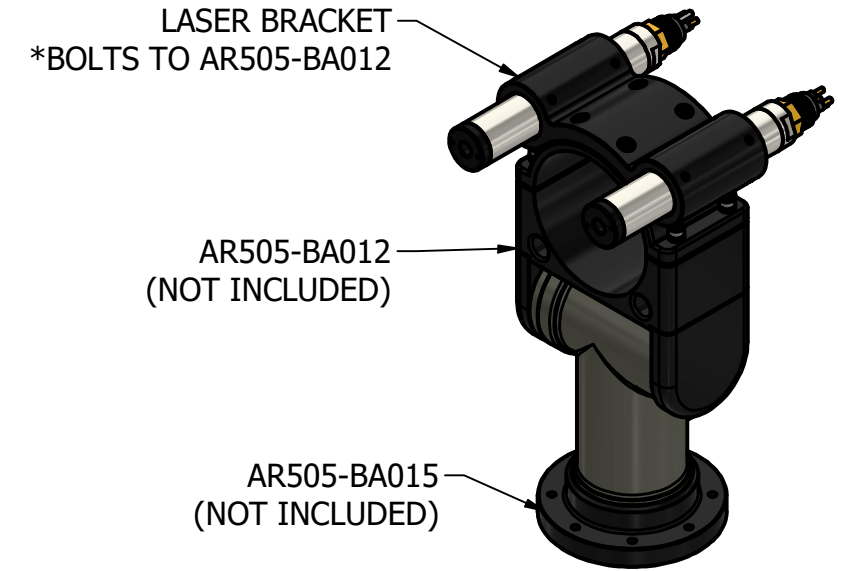
| ITEM | QTY | PART NUMBER | DESCRIPTION |
|------|-----|--------------------|-----------------------------|
| 1 | 1 | AR505-032 | STARGAZER 6K BRACKET |
| 2 | 3 | McMaster 92290A330 | M6 x 25mm_Socket Head Screw |
| 3 | 4 | McMaster 92290A426 | M8 x 20mm_Socket Head Screw |
| 4 | 3 | McMaster 94241A540 | M6_Split Lock Washer |
| 5 | 4 | McMaster 94241A550 | M8_Split Lock Washer |
| 6 | 3 | McMaster 95211A160 | M6_OD Washer |
| 7 | 4 | McMaster 95610A380 | M8_Nylon Plastic Washer |
| 8 | 4 | McMaster 98690A114 | M8_Flat Washer |

| | | |
|----------|--------------------|----------------|
| SIZE | DRAWING No. | REV |
| B | AR505-BA*** | B |
| SCALE | NTS | SHEET 23 OF 29 |

*BOLTS TO AR505-BA012

COMPATIBLE WITH:
- MANTA

AR505-BA023 LASER BRACKET - MANTA (ACETAL RESIN, BLACK)



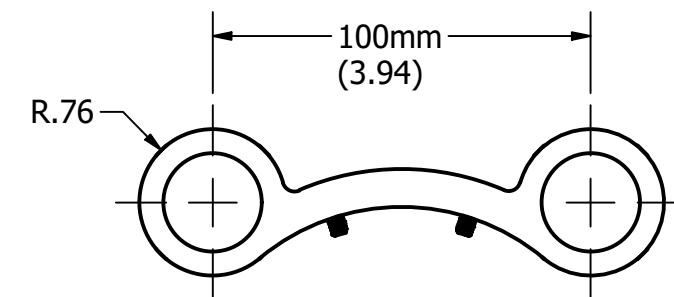
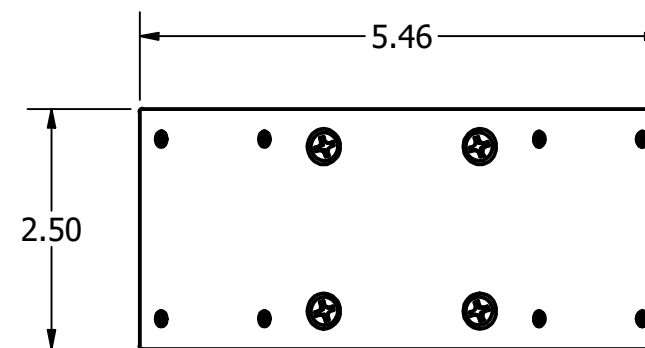
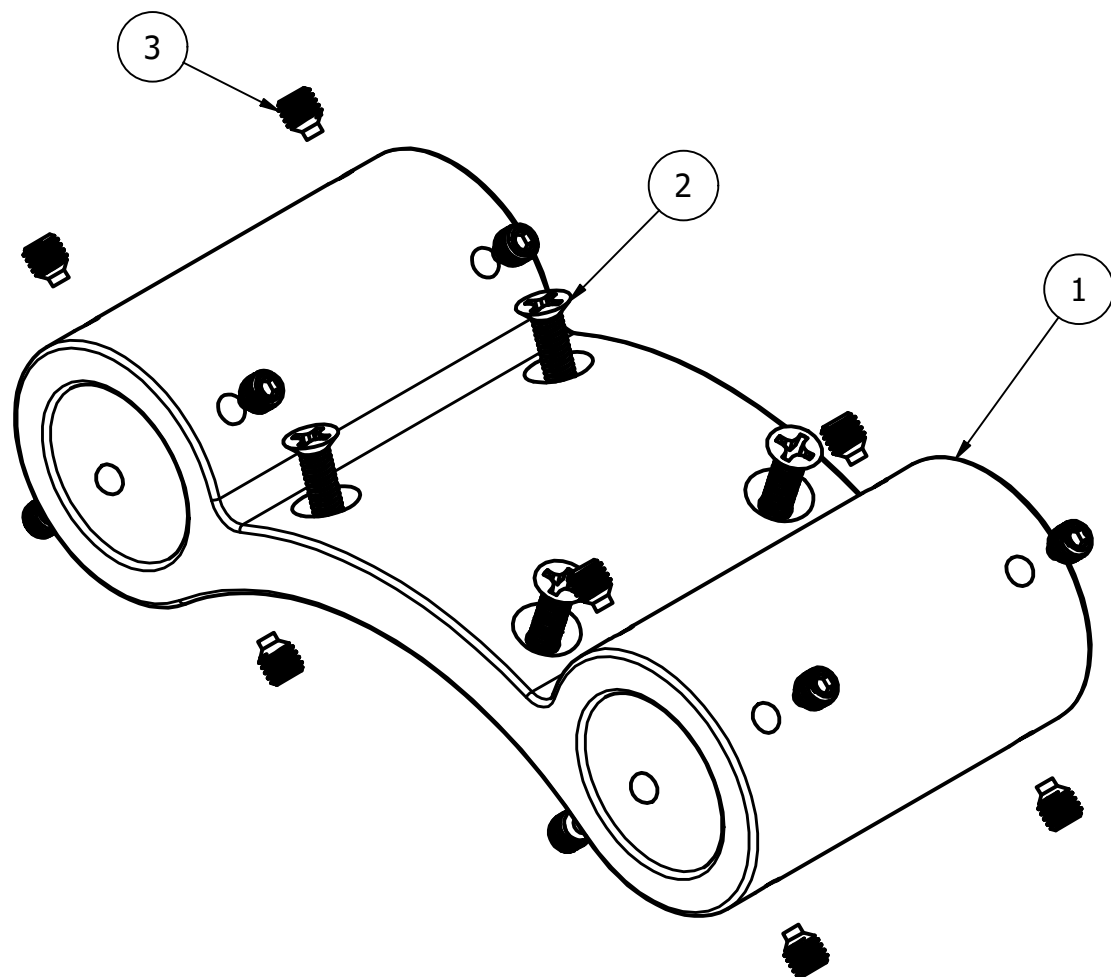
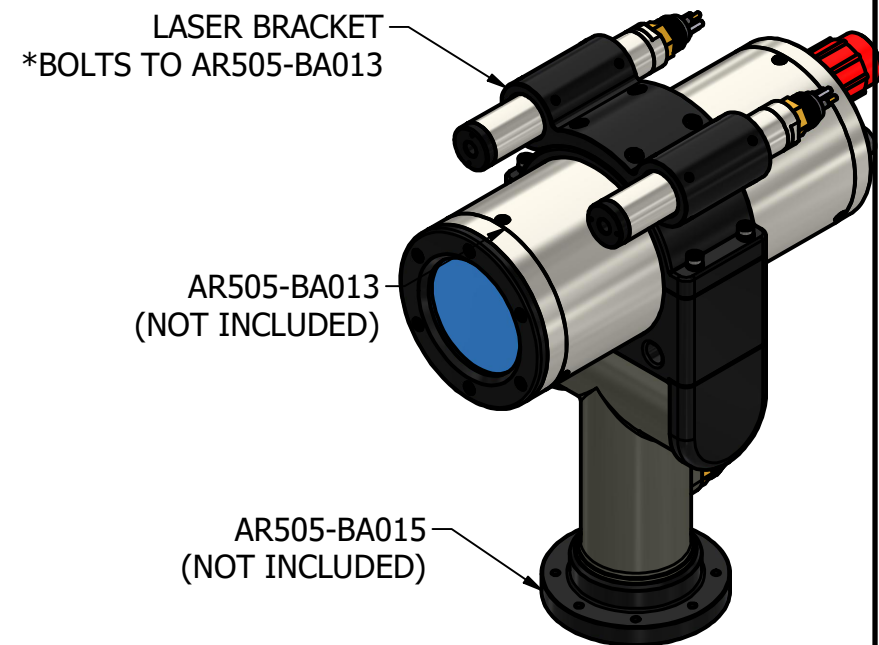
PARTS LIST

| ITEM | QTY | PART NUMBER | DESCRIPTION |
|------|-----|--------------------|------------------------------|
| 1 | 1 | AR505-029 | LASER BRACKET_MANTA |
| 2 | 4 | McMaster 91801A660 | M4 x 14mm_Flat Head Screw |
| 3 | 16 | McMaster 93285A132 | M5 x 5mm_Nylon Tip Set Screw |

| | | |
|----------|--------------------|----------------|
| SIZE | DRAWING No. | REV |
| B | AR505-BA*** | B |
| SCALE | NTS | SHEET 24 OF 29 |

AR505-BA024 LASER BRACKET - EAGLERAY
(ACETAL RESIN, BLACK)

*BOLTS TO AR505-BA013
COMPATIBLE WITH:
- EAGLERAY



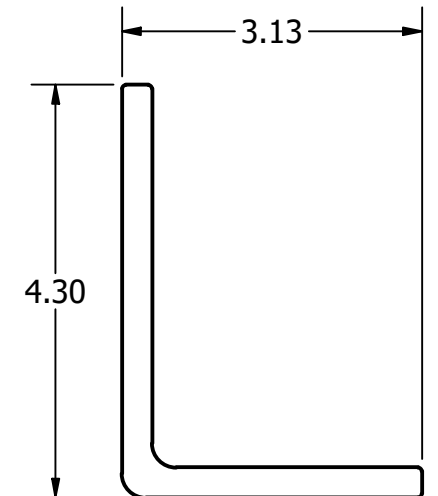
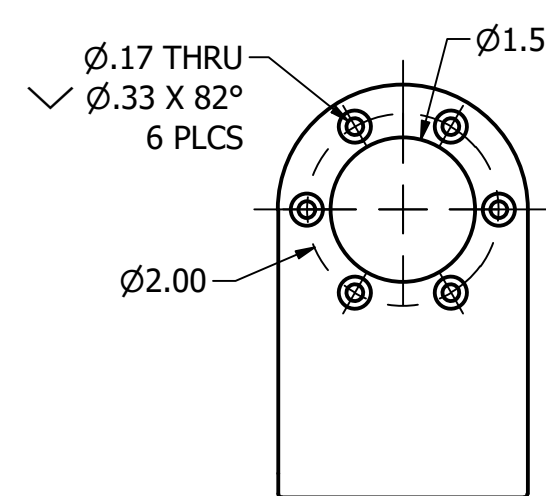
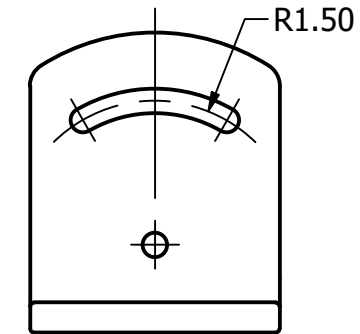
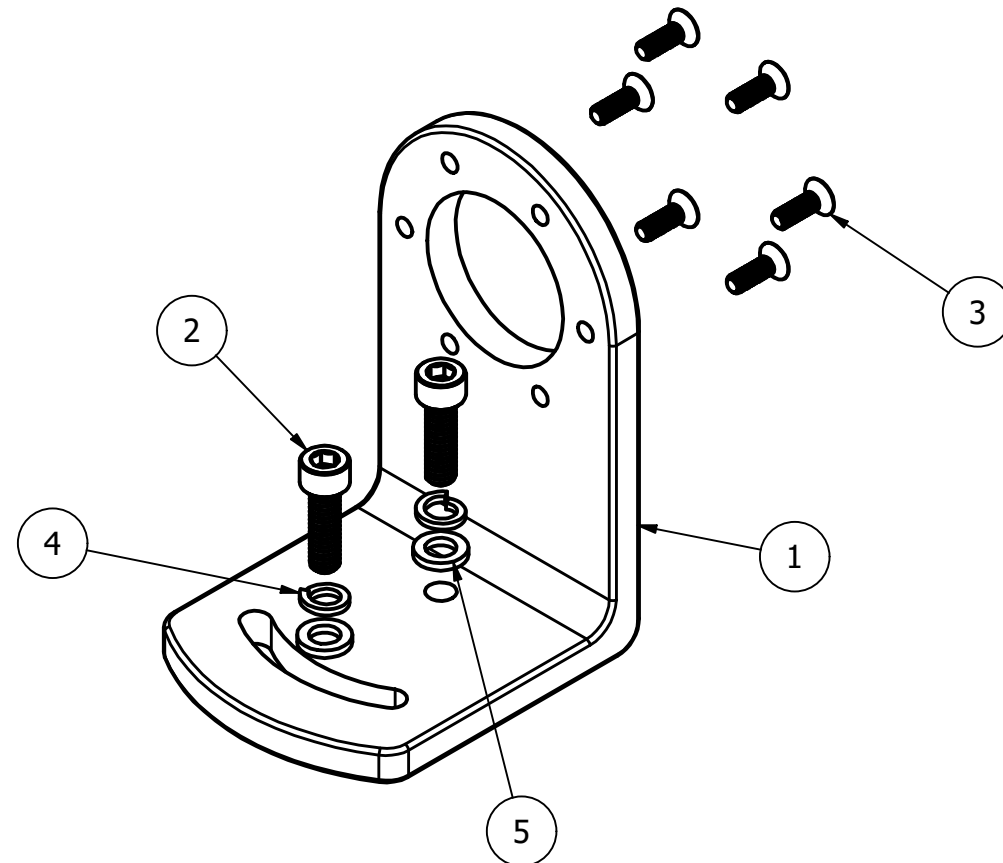
PARTS LIST

| ITEM | QTY | PART NUMBER | DESCRIPTION |
|------|-----|--------------------|------------------------------|
| 1 | 1 | AR505-030 | LASER BRACKET_EAGLERAY |
| 2 | 4 | McMaster 91801A660 | M4 x 14mm_Flat Head Screw |
| 3 | 16 | McMaster 93285A132 | M5 x 5mm_Nylon Tip Set Screw |

| | | |
|----------|--------------------|----------------|
| SIZE | DRAWING No. | REV |
| B | AR505-BA*** | B |
| SCALE | NTS | SHEET 25 OF 29 |

AR505-BA025 DRAGONFISH MOUNT 2
(ACETAL RESIN, BLACK)

COMPATIBLE WITH:
 - DRAGONFISH
 - DRAGONFISH MINI
 - DRAGONFISH AIR



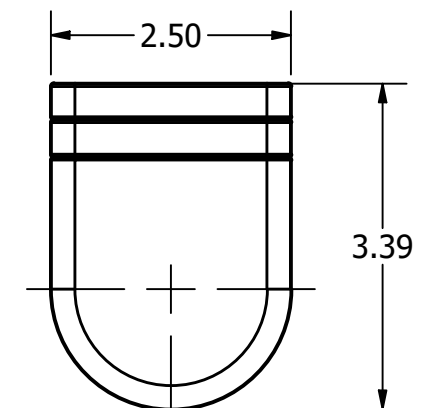
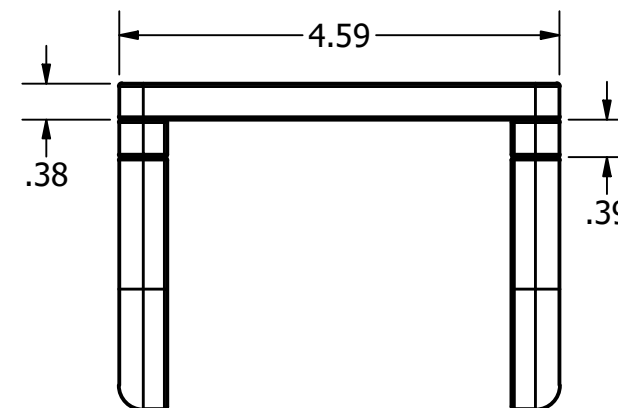
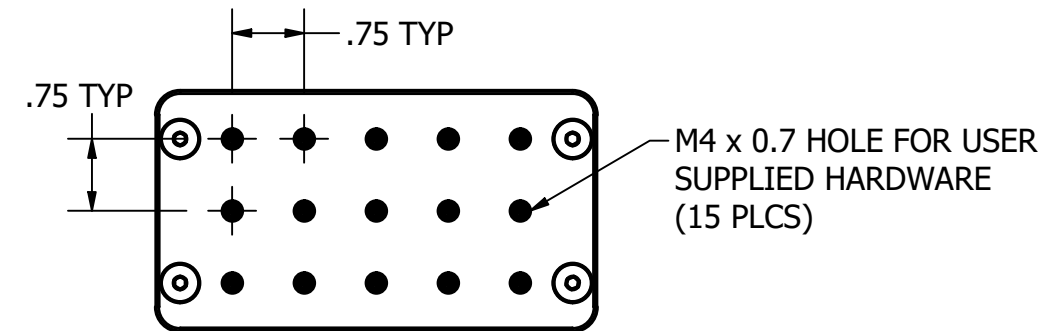
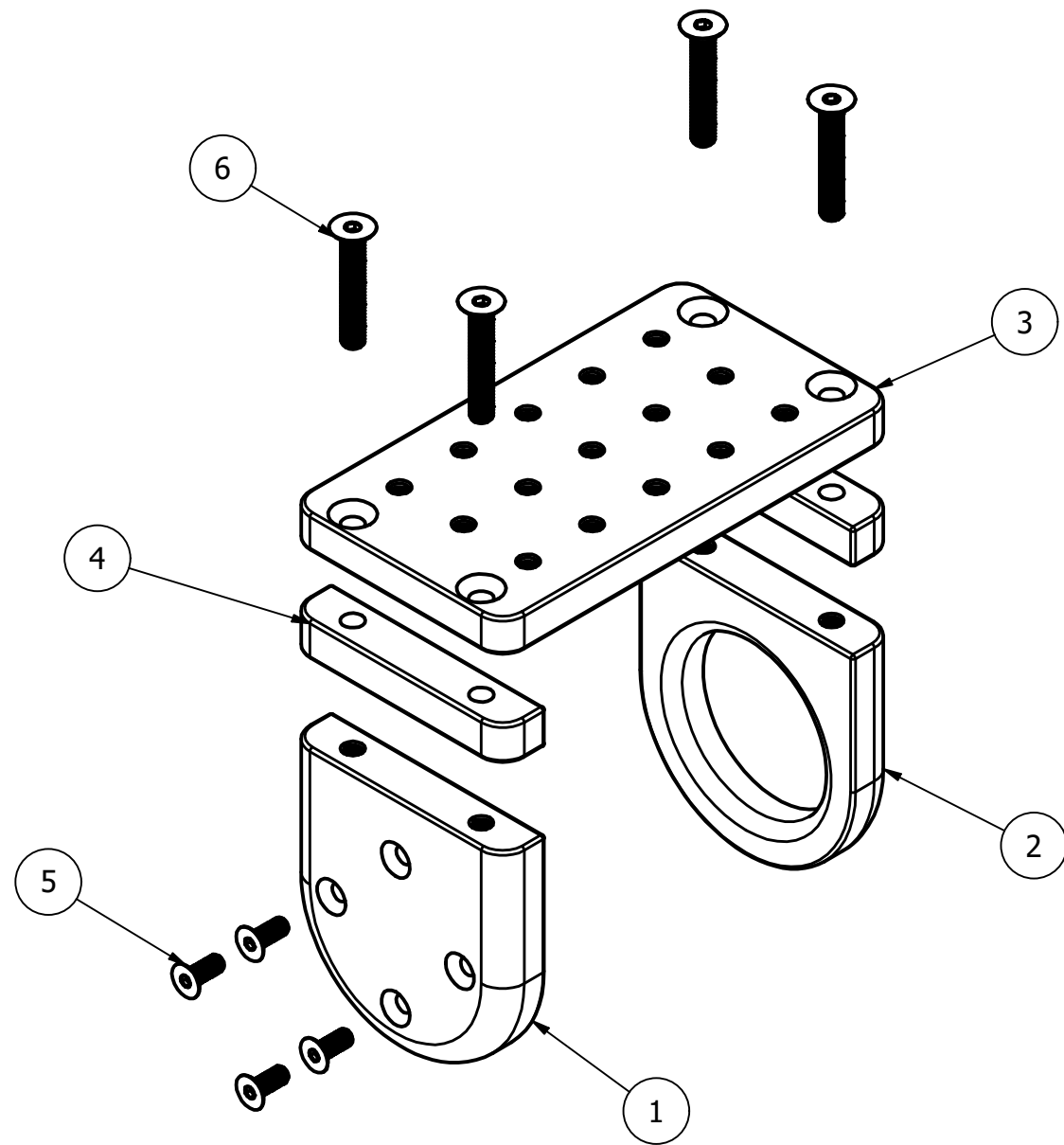
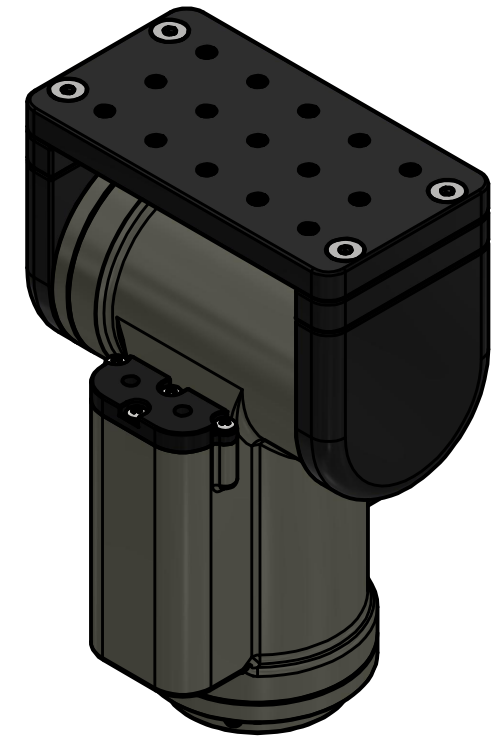
PARTS LIST

| ITEM | QTY | PART NUMBER | DESCRIPTION |
|------|-----|--------------------|-----------------------------|
| 1 | 1 | AR505-028 | DRAGONFISH BRACKET |
| 2 | 2 | McMaster 92290A326 | M6 x 20mm_Socket Head Screw |
| 3 | 6 | McMaster 93395A257 | M4 x 12mm_Flat Head Screw |
| 4 | 2 | McMaster 94241A540 | M6_Split Lock Washer |
| 5 | 2 | McMaster 98690A113 | M6_Washer |

| | | |
|-----------|--------------------|----------|
| SIZE | DRAWING No. | REV |
| B | AR505-BA*** | B |
| SCALE NTS | SHEET 26 OF 29 | |

COMPATIBLE WITH:
 - HAMMERHEAD (INTERNALLY COMPENSATED)

AR505-BA026 GENERAL MOUNT + EXTENSION
 (ACETAL RESIN, BLACK)



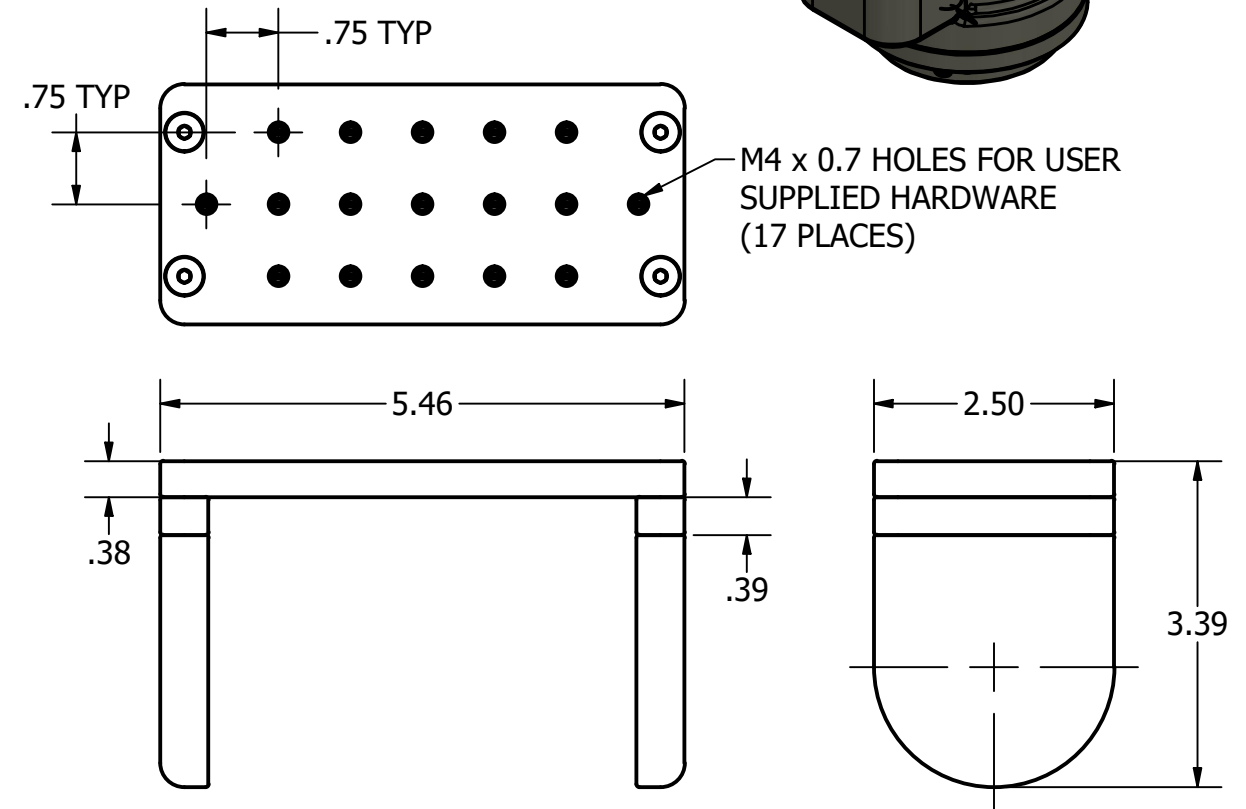
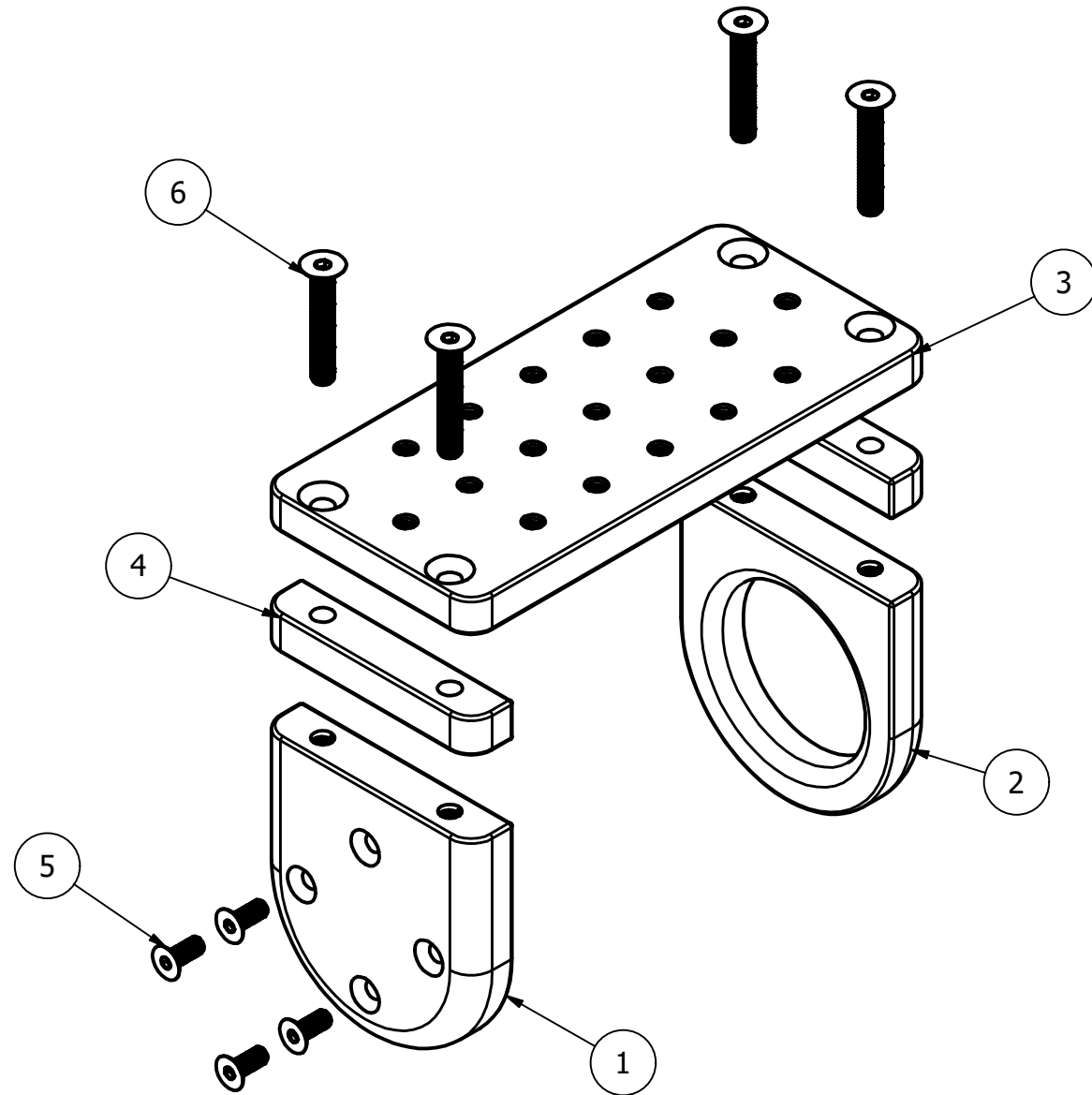
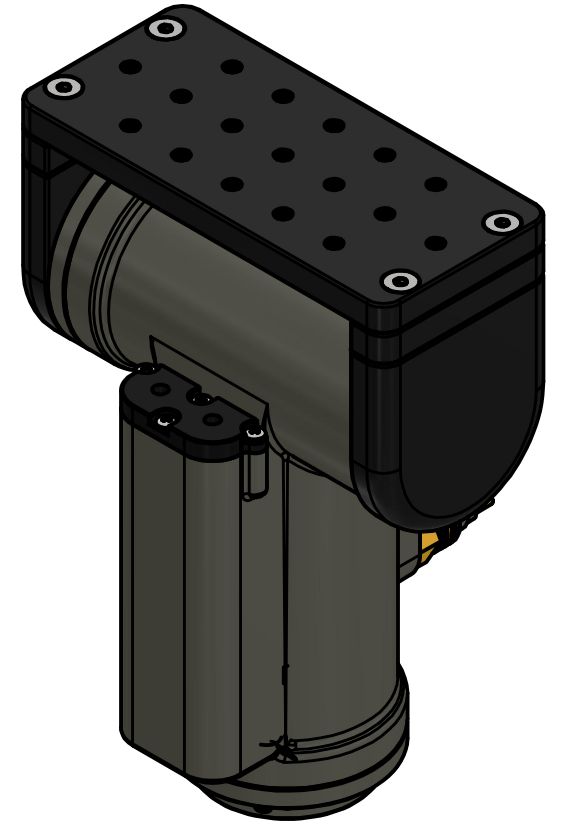
PARTS LIST

| ITEM | QTY | PART NUMBER | DESCRIPTION |
|------|-----|--------------------|---------------------------|
| 1 | 1 | AR505-002 | TILT ADAPTOR |
| 2 | 1 | AR505-003 | TILT BUSHING |
| 3 | 1 | AR505-005 | TILT PLATE |
| 4 | 2 | AR505-026 | TILT BUSHING EXTENSION |
| 5 | 4 | McMaster 93395A254 | M4 x 10mm_Flat Head Screw |
| 6 | 4 | McMaster 93395A316 | M5 x 30mm_Flat Head Screw |

| | | |
|-----------|--------------------|----------|
| SIZE | DRAWING No. | REV |
| B | AR505-BA*** | B |
| SCALE NTS | SHEET 27 OF 29 | |

COMPATIBLE WITH:
 - HAMMERHEAD XT (INTERNALLY COMPENSATED)

AR505-BA027 GENERAL MOUNT XT + EXTENSION (ACETAL RESIN, BLACK)



| PARTS LIST | | | |
|------------|-----|--------------------|---------------------------|
| ITEM | QTY | PART NUMBER | DESCRIPTION |
| 1 | 1 | AR505-002 | TILT ADAPTOR |
| 2 | 1 | AR505-003 | TILT BUSHING |
| 3 | 1 | AR505-006 | TILT PLATE_XT |
| 4 | 2 | AR505-026 | TILT BUSHING EXTENSION |
| 5 | 4 | McMaster 93395A254 | M4 x 10mm_Flat Head Screw |
| 6 | 4 | McMaster 93395A316 | M5 x 30mm_Flat Head Screw |

| | | |
|----------|--------------------|----------------|
| SIZE | DRAWING No. | REV |
| B | AR505-BA*** | B |
| SCALE | NTS | SHEET 28 OF 29 |

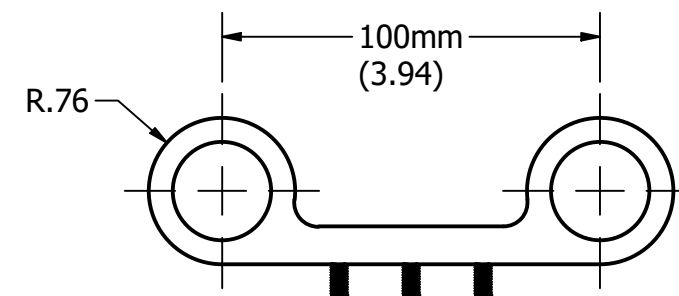
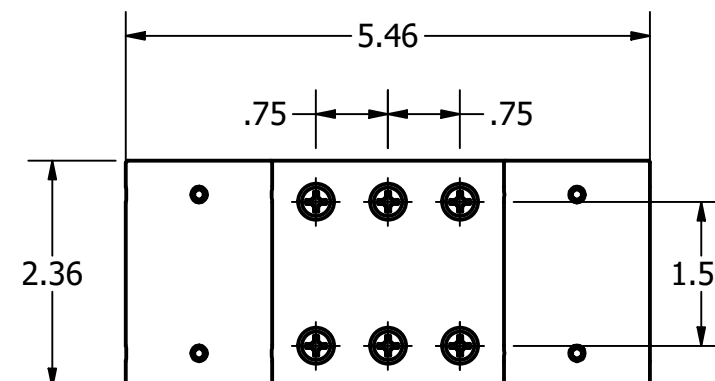
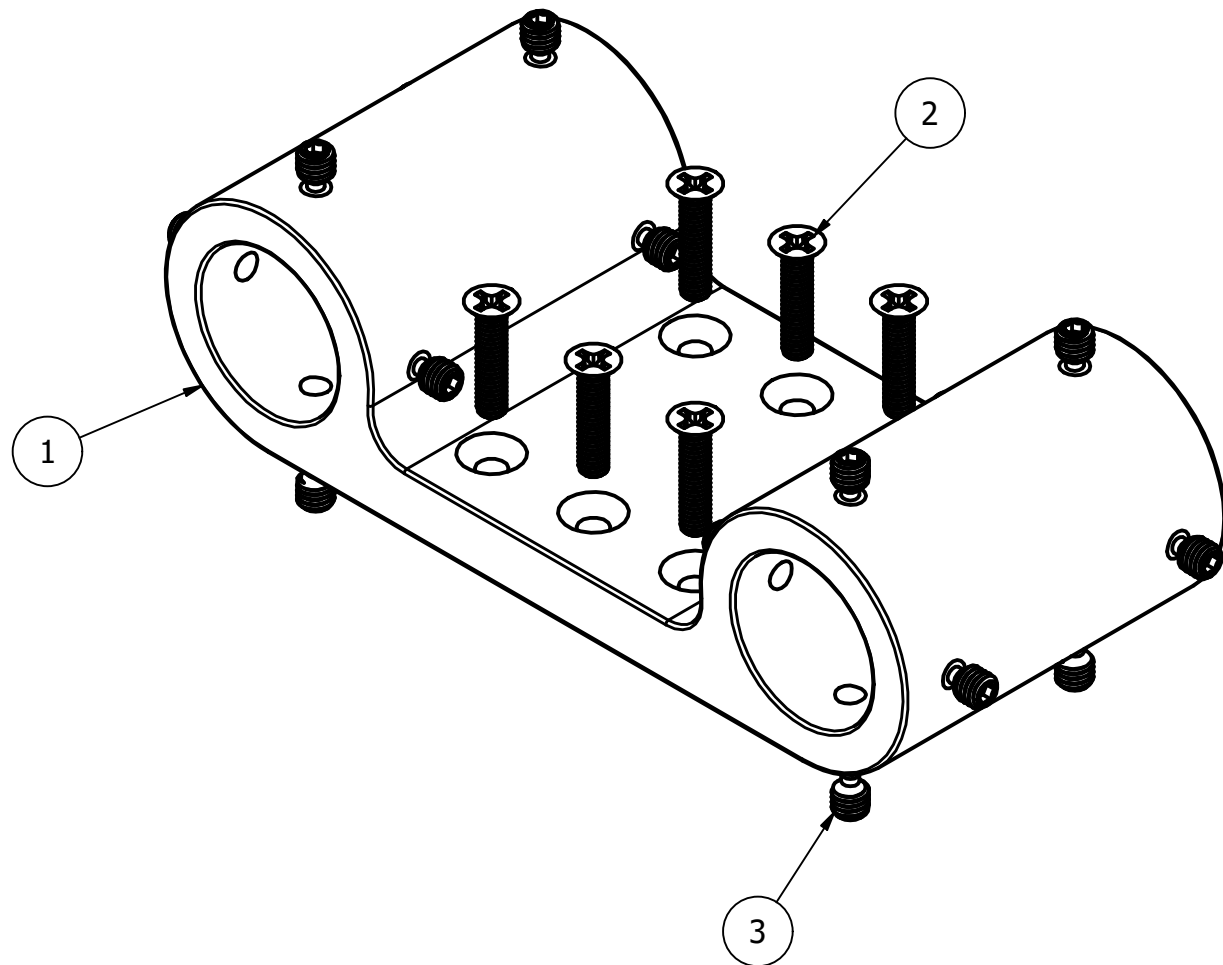
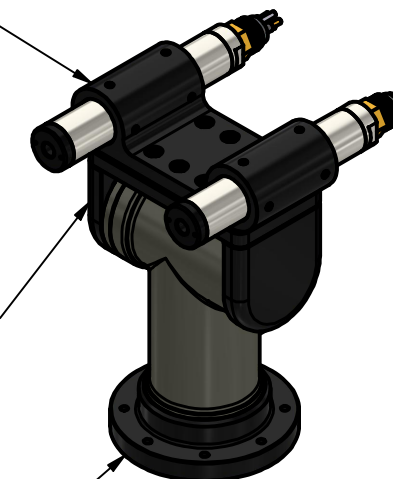
COMPATIBLE WITH:
 - TILT PLATE (AR505-005)
 - TILT PLATE XT (AR505-006)

AR505-BA028 LASER MOUNT - GENERAL MOUNT (ACETAL RESIN, BLACK)

LASER BRACKET
 *BOLTS TO AR505-BA001,
 -BA002, -BA003, -BA004,
 OR ANY FLAT SURFACE

AR505-BA001
 (NOT INCLUDED)

AR505-BA015
 (NOT INCLUDED)



PARTS LIST

| ITEM | QTY | PART NUMBER | DESCRIPTION |
|------|-----|--------------------|------------------------------|
| 1 | 1 | AR505-031 | LASER BRACKET_GENERAL MOUNT |
| 2 | 6 | McMaster 91801A670 | M4 x 18mm_Flat Head Screw |
| 3 | 16 | McMaster 93285A132 | M5 x 5mm_Nylon Tip Set Screw |

| | | |
|----------|--------------------|----------------|
| SIZE | DRAWING No. | REV |
| B | AR505-BA*** | B |
| SCALE | NTS | SHEET 29 OF 29 |